

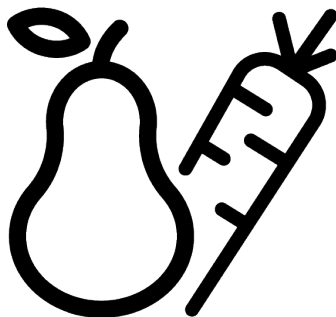
# Whirlpool

**Refrigerator / User Manual**

**Congélateur / Réfrigérateur / Manuel d'utilisation**

**Frigorifero / Manuale Utente**

**Frigorifer / Manuali i Përdoruesit**



WHG2 6574W XK5E

®/TM/© 2025 Whirlpool. Produced under license\_®/TM/© 2025 Whirlpool.Produit sous licence\_®/TM/© 2025Whirlpool.Prodotto su licenza\_®/TM/© 2025 Whirlpool.Prodhuar sipas licencës

15 7550 0077/ EN FR IT SQ / AH\_1/6/ 2/27/2025 8:51 AM  
7287540795



LETËR E RICIKLUAR DHE  
E RICIKLUESHMË



CARTA RICICLATA E  
RICICLABILE



PAPIER ENTIERÈMENT  
RECYCLÉ ET RECYCLABLE



RECYCLED &  
RECYCLABLE PAPER

## Please read this manual first!

---

### Dear Customer














Thank you for choosing this product.

Please register your products on [www.register10.eu](http://www.register10.eu)

We would like you to achieve the optimal efficiency from this high quality product which has been manufactured with state of the art technology. To do this, carefully read this manual and any other documentation provided before using the product.

Heed all information and warnings in the user manual. This way, you will protect yourself and your product against the dangers that may occur. Keep the user manual. Include this manual with the product if you hand it over to someone else.

**The following symbols are used in the user manual and on the product:**


	<b>Read the user manual.</b>									
<table border="1"><tr><td data-bbox="76 550 156 614"></td><td data-bbox="156 550 352 614"><b>ENERGY</b></td><td data-bbox="352 550 456 614"></td></tr><tr><td data-bbox="76 614 291 646">SUPPLIER'S NAME</td><td colspan="2" data-bbox="291 614 456 646">MODEL IDENTIFIER → (*)</td></tr><tr><td data-bbox="76 646 291 707"></td><td colspan="2" data-bbox="291 646 456 707"></td></tr></table>		<b>ENERGY</b>		SUPPLIER'S NAME	MODEL IDENTIFIER → (*)					<p>The model information as stored in the product data base can be reached by entering following website and searching for your model identifier (*) found on energy label.</p> <p><a href="https://eprel.ec.europa.eu/">https://eprel.ec.europa.eu/</a></p>
	<b>ENERGY</b>									
SUPPLIER'S NAME	MODEL IDENTIFIER → (*)									
										



<b>1</b>	<b>Environmental Instructions .....</b>	<b>4</b>
1.1	Disposal Of Packaging Materials .....	4
<b>2</b>	<b>Your Refrigerator .....</b>	<b>4</b>
<b>3</b>	<b>Installation.....</b>	<b>5</b>
3.1	Electrical Connection .....	7
<b>4</b>	<b>Preparation.....</b>	<b>7</b>
4.1	What To Do For Energy Saving .....	7
4.2	First Use .....	8
4.3	Climate Class and Definitions .....	8
<b>5</b>	<b>Operating the Product.....</b>	<b>8</b>
<b>6</b>	<b>Control Panel of the Product .....</b>	<b>9</b>
<b>7</b>	<b>Use of Your Appliance.....</b>	<b>10</b>
7.1	Storing Food in the Freezer and Cooler Compartment.....	10
7.2	Replacing the Illumination Lamp..	13
7.3	Door Open Alert .....	13
<b>8</b>	<b>Product Features .....</b>	<b>13</b>
8.1	The ice storage area.....	13
8.2	Egg holder .....	15
8.3	Crisper .....	15
8.4	Dairy Products Cold Storage Area	15
8.5	Humidity Controlled Crisper .....	16
8.6	Water connection .....	16
<b>9</b>	<b>Maintenance and Cleaning .....</b>	<b>21</b>
<b>10</b>	<b>Troubleshooting.....</b>	<b>23</b>

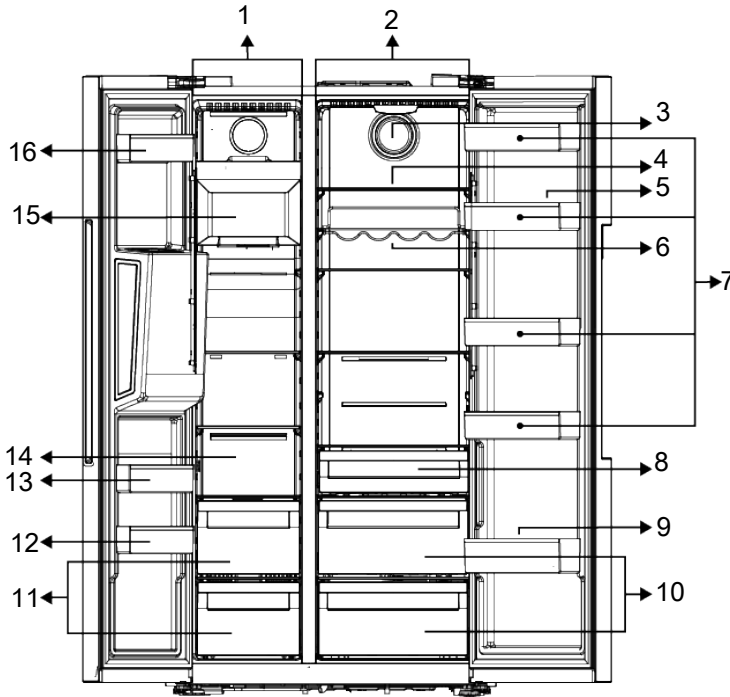
# 1 Environmental Instructions

## 1.1 Disposal Of Packaging Materials

The packaging material is recyclable and is marked with the recycle symbol .

The various parts of the packaging must therefore be disposed of responsibly and in full compliance with local authority regulations governing waste disposal.

## 2 Your Refrigerator



- |                                      |   |
|--------------------------------------|---|
| 1 Freezer compartment                | 2 Cooler compartment                                |
| 3 Fan                                | 4 *Cooler compartment glass shelves                 |
| 5 Egg holder                         | 6 *Bottle shelf                                     |
| 7 *Cooler compartment door shelves   | 8 *Dairy (cold storage) bin                         |
| 9 *Bottle shelf                      | 10 *Crispers  |
| 11 Frozen food storing compartments  | 12 *Freezer compartment door shelves                |
| 13 *Freezer compartment door shelves | 14 Frozen food storing compartments and glass shelf |
| 15 *Ice machine                      | 16 *Freezer compartment door shelves                |

**\*Optional:** Figures in this user manual are schematic and may not exactly match your product. If your product does not comprise the relevant parts, the information pertains to other models.

### 3 Installation

#### Right place for installation

Read the "Safety Instructions" first!

Contact the Authorized Service for the product's installation. To prepare the product for installation, see the information in the user manual and make sure the electric and water utilities are as required. If not, call an electrician and plumber to arrange the utilities as necessary.

- Damaged power cable must be replaced by Authorized Service.
- When placing two coolers in adjacent position, leave at least 4 cm distance between the two units.
- Keep the product out of direct sunlight and in a dry place.
- Your product requires adequate air circulation to function efficiently. If you place the product in an alcove, remember to leave at least 5 cm clearance between the product and the ceiling, rear wall and the side walls. Check if the rear wall clearance protection component is present at its location (if provided with the product). If the component is not available, or if it is lost or fallen, position the product so that at least 5 cm clearance shall be left between the rear surface of the product and the wall of the room. The clearance at the rear is important for efficient operation of the product.
- If the door span is too narrow for the product to pass, remove the door and turn the product sideways; if this does not work, contact the authorized service.
- Place the product on a flat surface to avoid vibration
- Place the product at least 30 cm away from the heater, stove and similar sources of heat and at least 5 cm away from electric ovens.

- Do not expose the product to direct sunlight or keep in damp environments.
- Before transport or use, never open the control board cover on the product. Risk of electric shock and fire!
- Our firm will not assume responsibility for any damages due to usage without earthing and without power connection in compliance with national regulations.
- The power cable plug must be easily accessible after installation.

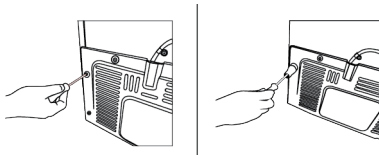
#### Hot surface warning!

The side walls of your product are equipped with cooler pipes to enhance the cooling system. High pressure fluid may flow through these surfaces, and cause hot surfaces on the side walls. This is normal and it does not require servicing. Be careful when you contact these areas.

#### Attaching the plastic wedges

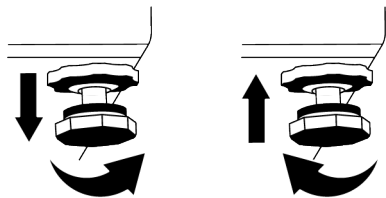
Use the plastic wedges provided with the product to maintain sufficient space for air circulation between the product and the wall.

- Remove the screws on the product and mount the screws provided with the wedges.
- Attach 2 plastic wedges on the ventilation cover as shown in the figure.



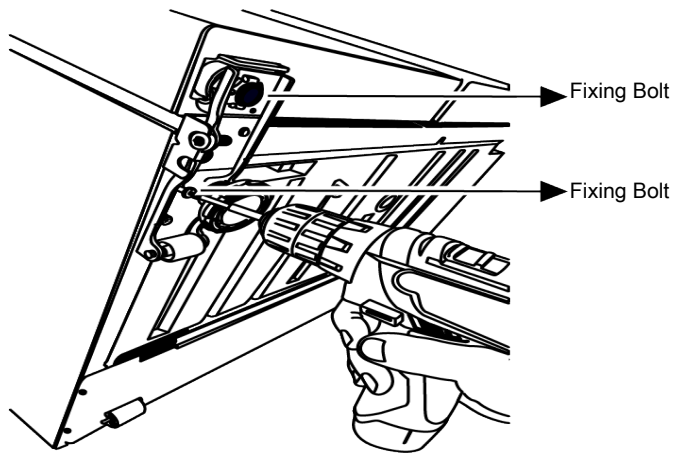
#### Adjusting the Legs

If the product is not in balanced position, adjust the front adjustable stands by rotating right or left.



**For adjusting the doors vertically,**

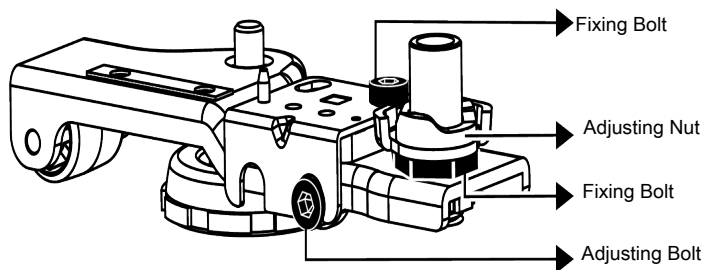
Loosen the fixing nut at the bottom. Screw adjusting nut (CW/CCW) according to the position of the door. Tighten the fixing nut bolt for the final position.



**For adjusting the doors horizontally,**

Loosen the fixing screw at the bottom  
Loosen the fixing nut at the top. Screw the adjusting bolt (CW/CCW) on the side ac-

ording to the position of the door. Tighten the fixing bolt on the top for the final position  
Tighten the fixing screw at the bottom



### 3.1 Electrical Connection



**WARNING:** Do not use extension cables or multi sockets in power connection.



**WARNING:** Damaged power cable must be replaced by Authorized Service.



**Hot surface warning!**  
The side walls of your product are equipped with cooler pipes to enhance the cooling system. High pressure fluid may flow through these surfaces, and cause hot surfaces on the side walls. This is normal and it does not require servicing. Be careful when you contact these areas.



Before transport or use, never open the control board cover on the product. Risk of electric shock and fire!

Our firm will not assume responsibility for any damages due to usage without earthing and without power connection in compliance with national regulations.

The power cable plug must be easily accessible after installation.

## 4 Preparation

Read the "Safety Instructions" first!

### 4.1 What To Do For Energy Saving

- This refrigerating appliance is not intended to be used as a built in appliance.
- When loading the food, leave enough space inside the refrigerator to allow sufficient air circulation for cooling.
- Since hot and humid air will not directly penetrate into your product when the doors are not opened, your product will optimize itself in conditions sufficient to protect your food. Under these circumstances, functions and components such as compressor, fan, heater, defrost, lighting, display and so on will operate according to the needs by consuming minimum energy.
- In case that multiple options are present, glass shelves must be placed so that the air outlets at the rear wall are not blocked and preferably, in a way that air outlets remain below the glass shelf. This combination may help improving air distribution and energy efficiency.

- Using the below drawer when storing is strongly recommended.
- For optimum performance, Quick Freezing can be used (if available), 24 hours prior to placing fresh foods in the freezer.
- In most cases, 24 hours is enough for the Quick Freezing function after fresh foods are placed in the freezer. After some time, Quick Freezing function will deactivate automatically.
- When freezing a small amount of food, Quick Freezing function can be deactivated after some time to ensure energy saving.
- Food shall be stored using the drawers in the cooler compartment in order to ensure energy saving and protect food in better conditions.
- A sound will be heard when the compressor is engaged. It is normal for the product to make noise even if the compressor is not running, as fluid and gas may be compressed in the cooling system.
- It is normal for the front edges of the product to be warm. These areas are designed to warm up in order to prevent condensation
- For some models, indicator panel turns off automatically 1 minute after the door closes. It will be reactivated when the door is opened or any button is pressed.

## 4.2 First Use

Before using your product make sure the necessary preparations are made in line with the instructions in "Safety Instructions" and "Installation" sections.

- Wait for at least 2 hours before operating the product, to ensure the complete efficiency of refrigeration.
- Keep the product running without placing any food inside for 6 hours and the product door should be kept as closed as possible.
- The temperature change caused by opening and closing of the door while using the product may normally lead to condensation on door/body shelves and glassware placed in the product.

## 5 Operating the Product

Read the "Safety Instructions" first!

- The product shall be used for storing food only.
- Turn off the water valve if you will be away from home (e.g. at vacation) and you will not be using the Icematic or the water dispenser for a long period of time. Otherwise, water leaks may occur.

## 4.3 Climate Class and Definitions

Please refer to the Climate Class on the rating plate of your device. One of the following information is applicable to your device according to the Climate Class.

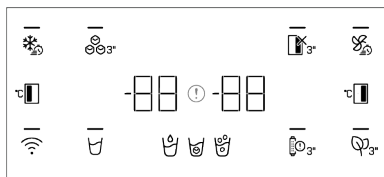
- **SN:** Long Term Temperate Climate: This cooling device is designed for use at ambient temperatures between 10 °C and 32 °C.
- **N:** Temperate Climate: This cooling device is designed for use at ambient temperatures between 16°C and 32 °C.
- **ST:** Subtropical Climate: This cooling device is designed for use at ambient temperatures between 16°C and 38°C.
- **T:** Tropical Climate: This cooling device is designed for use at ambient temperatures between 16°C and 43°C.

## Unplugging the Product

- Remove the food to prevent odours,
- Wait for the ice to melt, clean the interior and let it dry, leave the doors open to avoid damaging the inner body plastics.



## 6 Control Panel of the Product



Read the "Safety Instructions" first!

Auditory and visual functions on the indicator panel will assist you in using the refrigerator.

\*Optional: Shown functions are optional, there may be differences of shape and location in functions found on your appliance's indicator panel.

### Quick Freezing Key

When the quick freezing key is pressed, the LED on the key is illuminated and the quick freezing function will be activated. Freezer compartment temperature is set to -27 Celsius. Press the key again to cancel the function. The quick freezing function will be cancelled automatically. To freeze a large amount of fresh food, press the quick freezing key before placing the food in the freezer compartment.

### Ice maker On/Off Button

Pressing this key for 3 seconds activates the ice making process and the LED on the key lights up. Pressing the key for 3 seconds again cancels the ice making process and the ice cubes that have been created before can be used even though the function is cancelled.

### Error Status Indicator

This indicator shall be active when your refrigerator cannot perform adequate cooling or in case of any sensor error. "E" will be displayed on the freezer compartment temperature indicator and figures such as 1,2,3... will be displayed on the cooler compartment temperature indicator.

These figures provide information to the authorized service on the error that has occurred.

Exclamation mark may be displayed when you load warm food to the freezer compartment or keep the door open for a long period of time. This is not a fault, this warning will be removed when the food is cooled down or when any key is pressed.

### Cooler Compartment Off (Vacation) Function Key

To activate the vacation function, press on the key for 3 seconds.

The vacation mode will be activated and the LED on the key will be illuminated. "-.-" shall be displayed on the Cooler Compartment temperature indicator and the cooler compartment does not actively perform cooling. You should not keep your food in the cooler compartment if you activate this function. The other compartments continue to cool according to temperatures set before. Press and hold the key for 3 seconds again to cancel this function.

### Quick Cooling Key

When you press the quick cooling key, the LED on the key is illuminated and the quick cooling function shall be activated. Cooler compartment temperature is set to 1 Celsius. Press the key again to cancel the function. The quick freezing function will be cancelled automatically when the cooling is done.

### Cooler Compartment Temperature Setting Key

Allows setting of temperature for cooler compartment. Pressing this key will enable the cooler compartment temperature to be set at 8,7,6,5,4,3,2 and 1 Celsius.

### Deodoriser Module Key

Press this key for 3 seconds to activate/deactivate the deodoriser feature. When the deodoriser feature is active, the LED on the respective key is illuminated. When the feature is active, the deodoriser module will be operated periodically.

### Filter Replacement Warning Key

The water inlet filter of the refrigerator should be changed in regular intervals. Your refrigerator will calculate this time automatically. When the filter lifespan has expired, the LED on the filter replacement warning key lights up. After changing the filter, press and hold the button for 3 seconds to turn off the filter replacement warning LED.

### Water, Ice Cube, Crashed Ice Selection

#### Key

This key allows you to switch between water, ice cube and crushed ice selections. When you activate the feature, light on the key shall remain lit.

### Wireless Key

This key is used to make a wireless connection with your product via HomeWhiz mobile app.

When you press the key for 3 seconds, the LED on the key flashes slowly (at intervals of 0.5 seconds). The home network is initialized on the product this way.

After achieving wireless connection with the product, the LED on the key illuminates permanently.

When the initial connection is established, you may activate/deactivate the connection with a short press on this key. The LED on the key shall flash quickly (at intervals of

0.2 seconds) till your appliance is connected. When the connection is active, LED will remain lit.

If the connection cannot be established for a long period, check your connection settings and refer to the “Troubleshooting” section provided in the user manual.

HomeWhiz application will be used for wireless connection. The installation steps are described on the application during installation. You may access the application by reading the QR code available on the HomeWhiz label on the product. Application is offered through App Store for IOS devices, and through Play Store for Android devices.

Visit <https://www.homewhiz.com/> address for detailed information.

### Freezer Compartment Temperature Setting Key

Temperature setting is made for freezer compartment. Pressing this key will enable the freezer compartment temperature to be set at -16,-17,-18,-19,-20,-21,-22 Celsius.

## WARNING



**The temperature can be set between 1-8°C for the chiller compartment and between -24 and -15°C for the freezer compartment. Adjustable temperature values may vary provided that they are within these ranges according to product specifications.**

## 7 Use of Your Appliance

### 7.1 Storing Food in the Freezer and Cooler Compartment

#### Storing food in the freezer compartment

- You can activate Quick Freezing function 4-6 hours before freezing function and perform a faster cooling.
- Bring hot meals to the room temperature before placing them in the freezer compartment.

- Foods to be frozen must be divided into portions according to a size to be consumed, and frozen in separate packages.
- It is recommended to pack the foods before placing them in the freezer.
- In order to prevent expiration of storage time, write the freezing date, time and name of the product on the package according to the storage times of different foods.

- Consume the foods you have defrosted quickly. Defrosted foods cannot be frozen again unless they are cooked. It is not safe to consume the refrozen fresh foods without cooking after they are defrosted.
- As you freeze fresh foods, do not bring them in contact with already frozen foods. Otherwise, frozen foods will be defrosted.

### Storing the foods, which are sold frozen

- When storing food, follow the time periods specified in these instructions.
- In order to protect the quality of the food, keep the time interval between purchasing transaction and storing as short as possible.
- Buy frozen food which are stored at  $-18^{\circ}\text{C}$  or lower temperatures.
- Avoid buying foods whose packages are covered with ice etc. This means that the product could be partially defrosted and refrozen. Temperature impacts the quality of the food.
- Do not exceed the storing time recommended by the food producer. Remove only the food as much as you need from the freezer.
- Except the cases where extreme circumstances are available in the environment, if your product (on the recommended set values table) is set to the specified set values, the food keep their freshness for a longer time both in the fresh product compartment and freezer compartment.
- If fresh food compartment is set to a lower temperature, fresh fruits and vegetables may be partially frozen.

### Quick freezing

1. Activate the quick freezing function 24 hours before placing your fresh foods.
2. After 24 hours after pressing the button, place your food that you want to freeze in the third or fourth shelves with higher freezing capacity.
3. Once the quick freezing function is activated, it is automatically cancelled after a period of time.

### Freezer details

As per the IEC 62552 standards, the freezer must have the capacity to freeze 4,5 kg of food items at  $-18^{\circ}\text{C}$  or lower temperatures at  $25^{\circ}\text{C}$  room temperature in 24 hours for each 100 litres of freezer compartment volume.

Food products can only be preserved for extended periods at or below temperature of  $-18^{\circ}\text{C}$ .

You can keep the foods fresh for months (in freezer at or below temperatures of  $-18^{\circ}\text{C}$ ).

The food products to be frozen must not contact the already-frozen food inside to avoid partial defrosting.

Boil the vegetables and filter the water to extend the frozen storage time. Place the food in air-tight packages after filtering and place in the freezer. Bananas, tomatoes, lettuce, celery, boiled eggs, potatoes and similar food items should not be frozen. In case these foods are frozen, only nutritional values and eating qualities will be negatively affected. A rotting that would threaten human health is not in question.

### Placing the food

**Freezer compartment shelves:** Different frozen foods like meat, fish, ice cream, vegetables etc.

**Cooler compartment shelves:** Food items inside pots, capped plate and capped cases, eggs (in closed case)

**Cooler compartment door shelves:** Small and packaged food or beverages

**Crisper:** Vegetables and fruits

**Fresh food compartment:** Delicatessen (breakfast food, meat products to be consumed in short time)

### Storing food in the cooler compartment

- Compartment temperatures rise prominently if compartment door is opened and closed frequently and kept open for a long time, this can reduce the life span of the food and cause the food to spoil.
- In order not to cause odour and taste changes, the food should be stored in the closed containers.

- Do not store too much food in your refrigerator. To achieve a better and homogeneous cooling, place the food separately in a way that cold air can wander through them.
- Provide air flow by leaving a space between the food and internal wall. If you lean the food against the rear wall, the food may freeze.
- Bring cooked hot meals to the room temperature before placing them in the refrigerator. Then, you can place the tepid meal in the lower shelves of your refrigerator. Do not place the tepid meals close to the foods which may easily spoil.
- Defrost your frozen food in the fresh food compartment. Thereby, you can cool fresh food compartment by using frozen food and save energy.
- Storing unripe tropical fruits (mango, melon varieties, papaya, banana, pineapple) in the refrigerator may speed up the ripening process. This is not recommended because it will cause shorter storage time.
- You should store onions, garlands, ginger and other root vegetables in dark and cold room conditions, not in the refrigerator.
- If you notice that a food has spoiled in the refrigerator, throw away that food and clean the accessories which have come into contact with it.
- In order to cool the meals like soups and stews, which are cooked in the large pots, quickly, you can put them in the refrigerator by separating them into their own shallow containers.
- Do not place unpackaged food close to eggs.
- Keep the fruits and vegetables separately and store each variety together (for example; apples with apples, carrots with carrots).
- Take green vegetables out of the plastic bag and place them in the refrigerator after wrapping them in a paper towel or drying cloth. If you wash this type of food before placing them in the refrigerator, remember to dry them.
- You can both create a damp environment and provide an air flow by keeping fruits and vegetables, which are prone to drying, in the perforated or unsealed plastic bags.
- Except the cases where extreme circumstances are available in the environment, if your product (on the recommended set values table) is set to the specified set values, the food keep their freshness for a longer time both in the fresh product compartment and freezer compartment.

**Store different food in different places according to their properties.**

Food	Location
Egg	Door Shelf
Dairy products (butter, cheese)	If available, zero degree (for breakfast food) compartment
Fruits, vegetables and greenery	Fruit-vegetable compartment, crisper or EverFresh+ compartment (if available)
Fresh meat, poultry, fish, sausage etc. Cooked foods	If available, zero degree (for breakfast food) compartment
Ready to serve foods, packaged products, canned foods and pickles	Top shelves or door shelf
Beverages, bottles, spices and snacks	Door Shelf

## Recommended set values table

Freezer Compartment Setting	Fridge Compartment Setting	Remarks
-22°C	4°C	This is the default, recommended setting. This setting is recommended if ambient temperature is below 30°C.
-22°C or colder	4°C	These settings are recommended for ambient temperatures exceeding 30°C.
Quick Freeze	4°C	Use when you want to freeze your food in a short time. When the process ends, the product's settings will return to previous position.
-18°C or colder	2°C	Use these settings if you believe the cooler compartment is not cold enough due to ambient temperature or frequently opening the door.

### 7.2 Replacing the Illumination Lamp

Call the Authorized Service when the Bulb/LED used for lighting in your refrigerator will be replaced.

Lamp(s) used in this appliance cannot be used for house lighting. Intended use of this lamp is to help the user place food into the refrigerator / freezer safely and comfortably.

### 7.3 Door Open Alert

The door open alert system of your refrigerator may differ depending on the model.

#### Version 1;

If the door of the product remains open for a certain time (between 60 s and 120 s), an audio warning signal sounds; depending on the product model, a visual warning signal

(light flash) can also be displayed. If you close the door of the device or press a button on the screen of the device, if any, the warning sound will stop.

#### Version 2;

If the door of the device remains open for a certain period of time (between 60 s and 120 s), the door open alert is sounded. The door open alert is sounded gradually. First, an audible warning starts to sound. After 4 minutes, if the door is still not closed, a visual warning (lighting flash) is activated. The door open alert will be delayed for a certain period of time (between 60 s and 120 s) when any key on the product screen, if any, is pressed. Then the process will start again. When the device door is closed, the door open alert will be cancelled.

## 8 Product Features

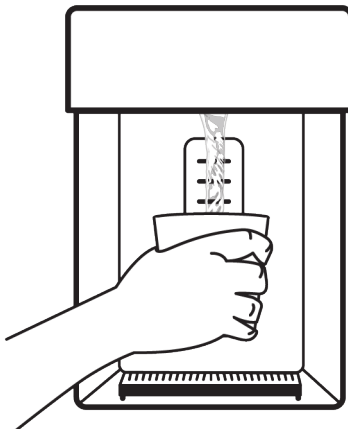
### 8.1 The ice storage area

#### Ice/Water Taking

Select the related option by using the display in order to take water (🍹) / ice cube

(🧊) / crushed ice (🧊). Push forward the trigger on the water dispenser in order to take water/ice. When you switch between

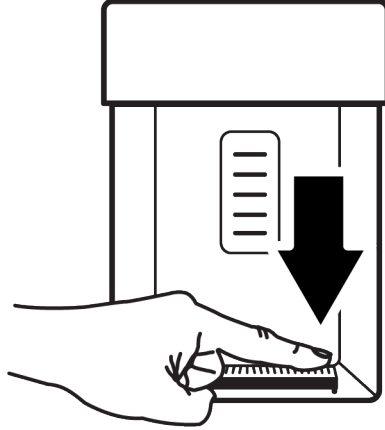
ice cube (🧊) / crushed ice (🧊) options, ice type remaining from the previous selection can be given in the first few takings.



- In order to take ice from ice / water dispenser for the first time, you have to wait approximately for 12 hours. In the event that there is not sufficient ice in the ice container, you cannot take ice from the dispenser.
- Do not consume the ice cubes (3-4 litres) after first running.
- If a power failure or temporary malfunction arises while the product is running, ices may melt a little and refreeze. In this case, ices may stick to each other. In the event that the power failure or the malfunction goes on, ices may melt and cause a water leakage. When such a problem exists, clean the ice container by pouring the ices left in the ice container.
- The water system of the product should only be connected to cold water line. It should not be connected to the hot water line.
- Water may not be taken during the first operation of the product. This is because there is air in the system. You have to discharge the air in the system. For this purpose, press on the trigger of the dispenser for 1-2 minutes until the water comes from the water dispenser. At the beginning, the water flow may be irregular. Water flow will return to normal after the air in the system is discharged.
- A blurry water may come out when the filter is used for the first time. The first 10 glasses of water should not be consumed.
- When the product is set up for the first time, approximately 12 hours should be passed for the water to cool.
- The water system of the product has been designed in a way that it can only work with clean water. Do not use any beverage except water.
- If you will not use the product for a long time for the reasons of vacation etc., we recommend you to cancel the water connection. When the water dispenser is not used for a long time, the first 1-2 glasses of water may come out hot.

### Drip tray

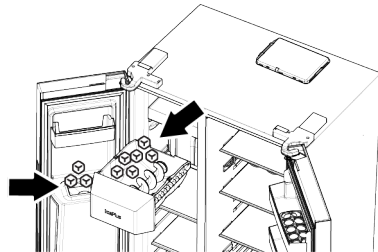
The water dripping from the water dispenser accumulates on the drip tray, there is not a water outlet. You can take out the drip tray by pulling it toward yourself or pressing on its edge. You can clean the water in the drip tray in this way.



### Ice Machine

Ice machine is on the upper section of the freezer body.

By grabbing the handle under the front part, pull the ice storage bin towards yourself to remove.



### To remove the ice storage bin

Grab the handle on the bottom of the bin and pull it towards yourself.

### To reinstall the ice storage bin

Put the bin to its slot and push it back holding parallel to the ground. Please make sure that no space will be left between the bin and the ice maker compartment.

### In case you cannot get all the ice cubes produced

Ice cubes remaining in the storage bin for a long time may stick together and form large ice blocks. In this case, remove the ice storage bin as described in the manual, separate ice cubes, remove the ones that cannot be separated from the bin and put the remaining cubes back into the bin. If the problem persists, please check the ice channel, and clear if it is blocked.

### **When using the ice machine for the first time or after a long period**

Ice cubes may get smaller due to the residual air in the water system. The air will be automatically discharged after being used for some time.

- Do not use the ice cubes produced on the first day so that you can refresh all remaining water in the system.
- Do not insert your hand or any other object into the ice channel and ice crushing blades while the refrigerator is operating.
- Do not allow kids to hang onto the ice machine, ice storage bin or water/ice dispenser.
- Grasp the ice storage bin firmly with both hands so as not to drop it.
- When you close the door of your appliance fast, the water in the ice maker may splash into the ice storage bin.
- Do not disassemble the ice storage bin unless necessary.
- In case of a jam (appliance does not drop ice) while getting crushed ice, try getting ice cube.
- Then you can retry getting crushed ice.
- When getting crushed ice, the appliance may produce ice cubes first. It is possible for the appliance to produce ice cubes when getting crushed ice.
- The freezer door of the ice machine may be covered by a light frost and a film layer.
- This is normal and we recommend you to immediately clean it.
- After some time, water may fill in the grid which is at the bottom of the water dispenser.
- We recommend you to remove the water in the grid regularly.

- It is normal to hear a sound when ice cubes are falling down from the ice storage bin. This does not mean any malfunction.
- The blade mechanism of the ice bin is sharp and may injure your hand.
- If ice cubes aren't released from the ice dispenser, it means that the ice cubes may be stuck together. You need to clean the bin to continue to get ice cubes.
- When the trigger is pressed to get ice (Indicator etc.), ice type cannot be changed. You should release the trigger (Indicator etc.), change the ice type and take ice again. For this purpose, you can take ice again after changing the ice type on the indicator.

## **8.2 Egg holder**

You can place the egg holder on the door or body shelf you wish.

If the egg holder is to be placed on the body shelf, we recommend you to choose colder lower shelves.

- Never place the egg holder on the freezer compartment.

## **8.3 Crisper**

The refrigerator's crisper is designed to keep vegetables fresh by preserving their humidity. For this purpose, the overall cold air circulation is intensified in the crisper. Keep fruits and vegetables in this compartment. Keep the green-leaved vegetables and fruits separately to prolong their life.

## **8.4 Dairy Products Cold Storage Area**

### **Cold Storage Drawer**

The Cold Storage Drawer can reach lower temperatures in the cooler compartment. Use this drawer for delicatessen products (salami, sausage, etc.) and dairy products that require colder storage conditions, or for meat, chicken or fish to be consumed quickly. It is not suitable to store fruits and vegetables in this drawer.



## 8.5 Humidity Controlled Crisper

With the humidity controlled crisper feature, the humidity of vegetables and fruits is kept under control and the food is kept fresh for a longer period of time.

We recommend that you place leafy vegetables such as lettuce, spinach and similar vegetables that are sensitive to moisture loss in the crisper, not upright on their roots, but as horizontally as possible.

When placing the vegetables, place heavy and hard vegetables at the bottom and light and soft ones on the top, taking into account the specific weights of vegetables.

Never leave vegetables in plastic bags in the crisper. Leaving them in plastic bags causes vegetables to rot in a short time.

In situations where contact with other vegetables is not preferred, use packaging materials such as paper that has a certain level of porosity in terms of hygiene.

Do not put fruits that have a high ethylene gas production such as pear, apricot, peach and particularly apple in the same crisper with other vegetables and fruits. The ethylene gas coming out of these fruits might cause other vegetables and fruits to mature faster and rot in a shorter period of time.

## 8.6 Water connection

(This feature is optional)



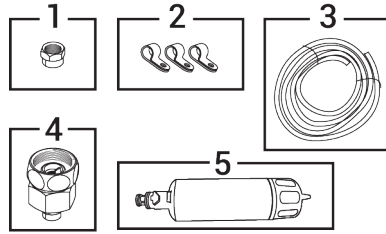
### WARNING

The product and the water pump, if any, must be unplugged during connection.

The mains, filter and carboy connections of your product must be made by an authorized service center.

Depending on the model, you can connect your product to a carboy or directly to the water network. To make this connection, you must first connect the water hose to the product.

Depending on the model of your product, check whether the following parts are included with the product:



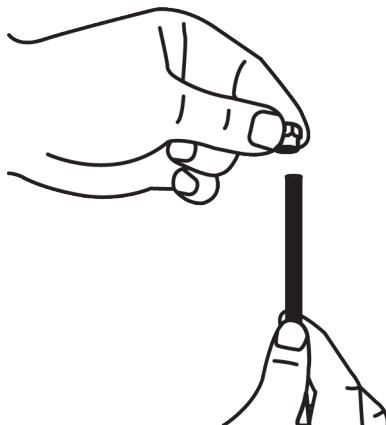
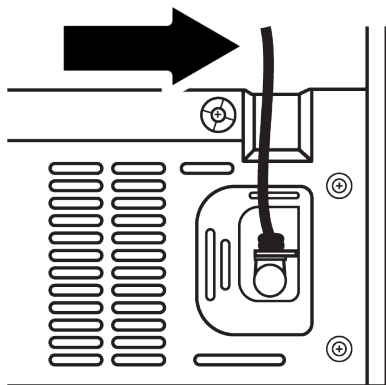
1. Union (1 piece) : Used for attaching the water hose to the back of the product.
2. Hose clip ( 3 pieces ) : Used for fixing the water hose to the wall.
3. Water hose (1 piece, 5 meters diameter 1/4 inch): Used for making water connections.
4. Faucet adapter ( 1 piece ) : Used for cold water mains line connection with porous filter.
5. Water filter (1 piece \*Optional): It is used to connect the mains water to the product. If there is a carboy connection; there is no need to use a water filter.

### Connecting the water hose to the product

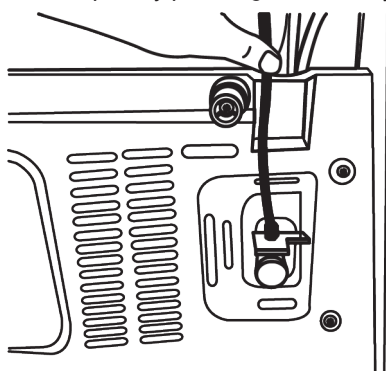
Follow the instructions below to connect the water hose to the product.

1. Remove the fitting from the hose end adapter attached to the back of the product, thread the fitting onto the water hose.

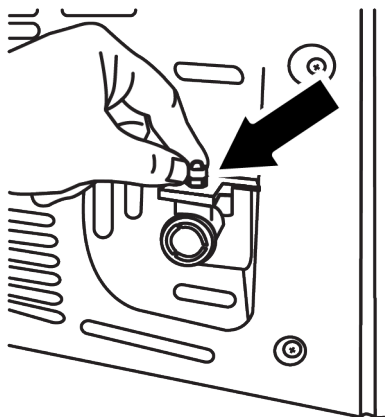




2. Attach the water hose to the hose-end adapter by pressing down firmly.



3. Secure the union to the hose-end adapter by hand tightening. You can tighten the union using a pipe wrench or pliers.

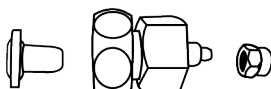


### Connecting to mains water

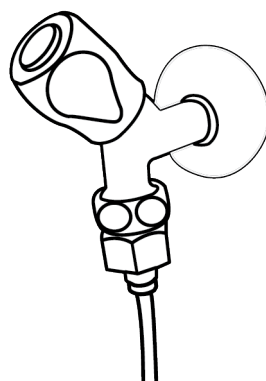
(This feature is optional)

If you are going to use the product by connecting it to the cold water line, you need to install a standard 1/2" valve fitting on the cold water network in your home. If this fitting is not available and you are not sure, consult a qualified plumber.

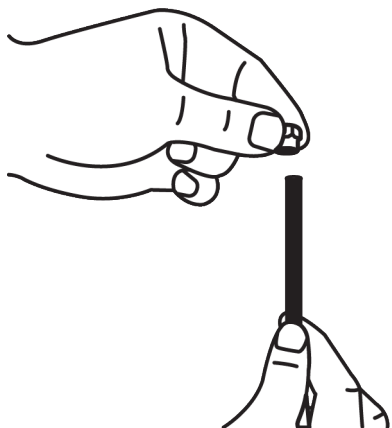
1. Disconnect the union from the faucet adapter.



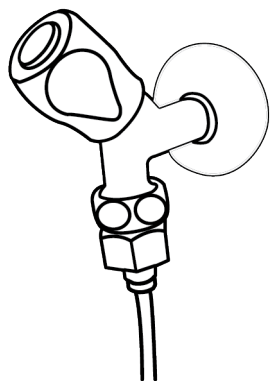
2. Connect the faucet adapter to the mains line valve.



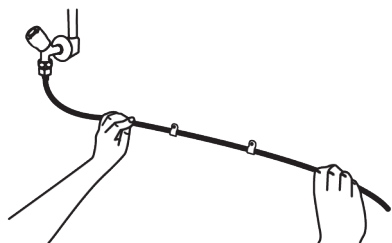
3. Thread the union onto the water hose.



4. Thread the union onto the faucet adapter and tighten by hand/tool.



5. Secure the water hose in suitable places with the clips provided to prevent damage, slipping or accidental dislodging.



### WARNING

After opening the faucet, make sure that there is no water leakage at both joints of the water hose. In case of leakage, close the valve immediately and tighten all joints with a pipe wrench or pliers.

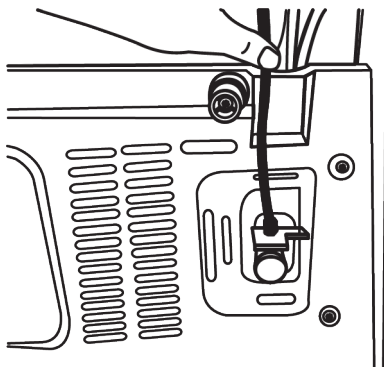
### For products to be used in carboys;

(This feature is optional)

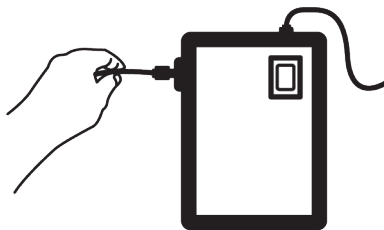
In order to connect carboy water to the product, the water pump recommended by the authorized service is required.

In order to connect carboy water to the product, the water pump recommended by the authorized service is required.

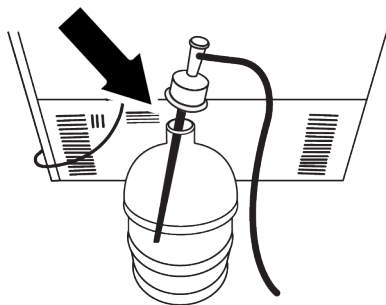
1. After connecting one end of the water hose from the pump to the product, follow the instructions below.



2. Make the connection by pushing the other end of the water hose into the water hose inlet of the pump.



3. Secure the pump hose by placing it into the carboy.



4. After completing the connection, plug the pump into the socket and start the pump.

**i** After starting the pump, wait 2-3 minutes for it to reach the desired efficiency.

**i** Refer to the instruction manual of the pump while making the water connection.

**i** If carboy will be used, there is no need to use a water filter.

### Water filter

(This feature is optional)

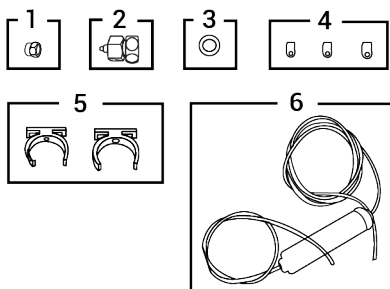
Depending on the model, your product may have an external or internal filter. To install the water filter, follow the instructions below.

### Mounting the external filter on the wall

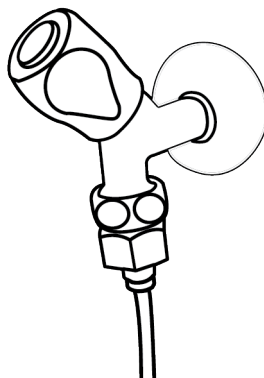
(This feature is optional)

**WARNING**  
Do not install the filter on the product.

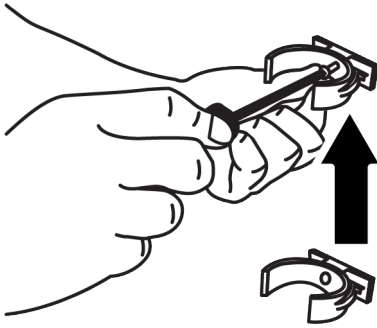
Depending on the model of your product, check whether the following parts are included with the product:



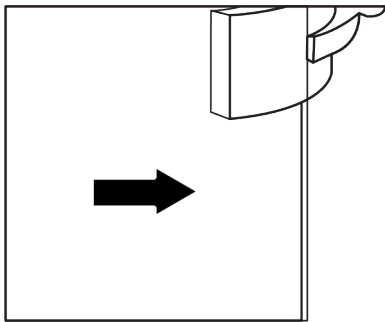
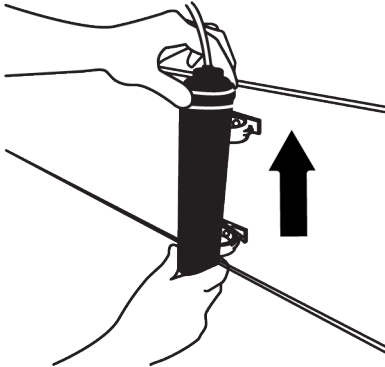
1. Union (1 piece) : Used for attaching the water hose to the back of the product.
2. Faucet adapter ( 1 piece ) : Used for cold water mains line connection.
3. Porous filter ( 1 piece )
4. Hose clip ( 3 pieces ) : Used for fixing the water hose to the wall.
5. Filter connection apparatus ( 2 pieces ) : Used for mounting the filter on the wall.
6. Water filter (1 piece): It is used to connect the mains water to the product. If there is a carboy connection; there is no need to use a water filter.
7. Connect the faucet adapter to the mains line valve.
8. Determine the place where the external filter will be fixed. Mount the filter connection apparatus ( 5 ) on the wall.
9. Attach the filter perpendicularly to the filter bracket as indicated on the label. ( 6 ).



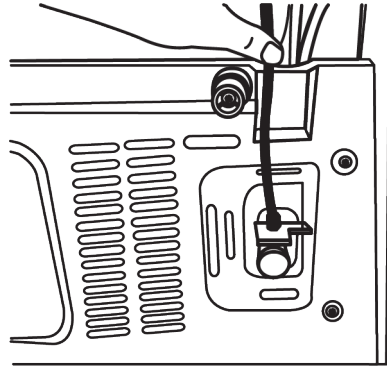
10. Connect the water hose coming out of the top of the filter to the water connection adapter of the product.



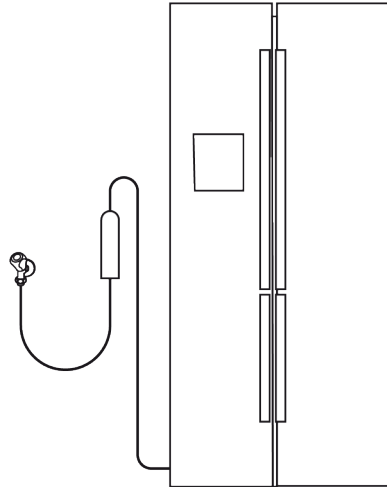
11. After the connection is completed, the image should be as shown below.



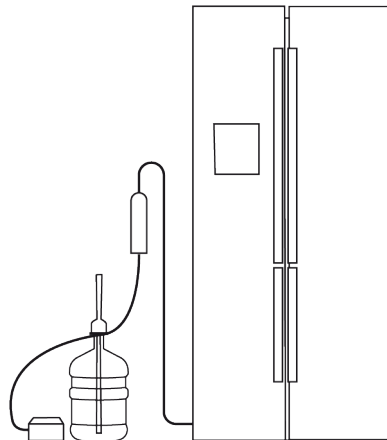
Since the internal filter that comes in the product does not come installed, the necessary procedures for its preparation are as follows:



**Water line**

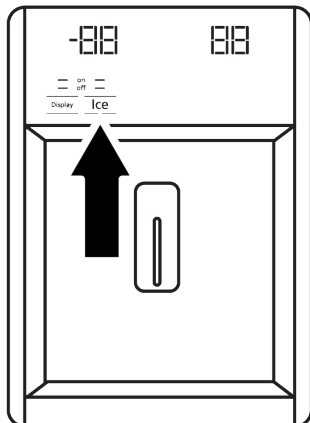


**Carboy line:**



**i** Do not use the first 10 glasses of water after connecting the filter.

1. For filter installation, the **"Ice Off" indicator** must be active. Switching between ON and OFF indicators on the display is done by pressing the **"Ice"** button.



2. Remove the crisper compartment to access the water filter.
3. Remove the water filter by-pass cover by pulling it towards you.

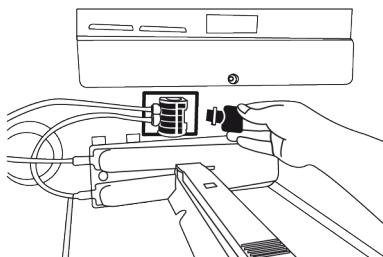
**i** It is normal for a few drops of water to come out after the cover is removed.

4. Insert the water filter cover into the mechanism and push it forward to lock it in place.

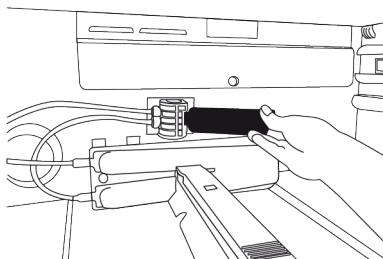
## 9 Maintenance and Cleaning

Read the "Safety Instructions" first!  
Before cleaning your product, unplug it or de-energize the fuse to which it is connected.

Do not place your hands, feet or metal objects under the refrigerator or between the refrigerator and the floor for whatsoever reason. Jamming may occur or any sharp edge may cause personal injuries.



5. Exit the **"Ice Off"** mode by pressing the **"Ice"** button on the display again.



**i** The water filter removes some foreign particles from the water. It does not purify the water from microorganisms.

- Do not use sharp or abrasive tools to clean the product. Do not use materials such as household cleaning agents, soap, detergents, gas, gasoline, thinner, alcohol, wax, etc.
- The dust shall be removed from the ventilation grill on the rear of the product at least once a year (without opening the cover). Clean the product with a dry cloth.

### For products with Water Dispenser / Ice Maker

- If the water in the water tank has waited for 2-3 weeks, it shall be replaced.

- The water tank and the components of the water dispenser shall not be washed in dishwashers.
- Melt a teaspoonful of carbonate in half a litre of water. Moisten a piece of cloth in the water and wring out. Wipe the device with this cloth and dry off thoroughly.
- Take care to keep water away from the lamp's cover, LED lighting glass, vent holes or other electrical parts. Risk of electric shock and short circuit!
- Do not open live sections (control board cover, compressor rear cover if any, etc.) without the presence of an authorized person and do not perform any cleaning, maintenance or repair here. If your product has no cover in the compressor section, do not touch this area with your hands or with any object. Risk of electric shock and injury!
- Clean the door with a damp cloth. Remove door and body racks, as well as all contents within the refrigerator. Remove the door racks by lifting them upwards. Clean and dry the racks, then attach back in place by sliding from above.
- Do not use chlorinated water or cleaning products on the exterior surface and chrome coated parts of the product. Chlorine will cause rust on such metallic surfaces.
- Do not place your hands, feet or metal objects under the refrigerator. Jamming may occur or any sharp edge may cause personal injuries..
- Do not use sharp and abrasive tools, soap, house cleaning materials, detergents, gas, gasoline, varnish and similar substances to prevent deformation of and removal of prints on the plastic part. Use warm water and a soft cloth for cleaning, and then dry it.
- Water droplets and icing up to a thickness of a finger may occur on the rear wall of the freezer compartment. Do not clean, and never apply oils or similar materials.
- Use a mildly dampened micro-fibre cloth to clean the external surface of the product. Sponges and other types of cleaning clothes may cause scratches.
- To clean all removable components during the cleaning of the interior surface of the product, wash these components with a mild solution consisting of soap, water and carbonate. Wash and dry thoroughly. Prevent contact of water with illumination components and the control panel.
- Take care to keep water away from the lamp's cover and other electrical parts.
- Clean the door with a damp cloth. Remove all contents to remove the door and body racks. Remove the door racks by lifting them upwards. Clean and dry the shelves, then attach back in place by sliding from above.
- Do not use chlorinated water or cleaning products on the exterior surface and chrome coated parts of the product. Chlorine will cause rust on such metallic surfaces.
- Do not use sharp and abrasive tools, soap, house cleaning materials, detergents, gas, gasoline, varnish and similar substances to prevent deformation of and removal of prints on the plastic part. Use warm water and a soft cloth for cleaning, and then dry it.
- On the products without a No-Frost feature, water droplets and icing up to a thickness of a finger may occur on the rear wall of the cooler compartment. Do not clean, and never apply oils or similar materials.
- Use only a mildly dampened micro-fibre cloth to clean the external surface of the product. Sponges and other types of cleaning clothes may cause scratches.

**On the products without a No-Frost feature;**

- To clean all removable components during the cleaning of the interior surface of the product, wash these components with a mild solution consisting of soap, water and carbonate. Wash and dry thoroughly. Prevent contact of water with illumination components and the control panel.
- Do not use vinegar, rubbing alcohol or other alcohol based cleaning agents on any interior surface.

### **Stainless Steel External Surfaces**

Use a non-abrasive stainless steel cleaning agent and apply it with a soft lint-free cloth. To polish, gently wipe the surface with a micro-fibre cloth dampened with water and use dry polishing chamois. Always follow the veins of the stainless steel.

## **10 Troubleshooting**

Read the "Safety Instructions" first!

Check this list before contacting the service. Doing so will save you time and money. This list includes frequent complaints that are not related to faulty workmanship or materials. Certain features mentioned herein may not apply to your product.

If the problem persists after following the instructions in this section, contact your vendor or an Authorized Service. Do not try to repair the product.

### **The refrigerator is not working.**

- The power plug is not fully settled. >>> Plug it in to settle completely into the socket.
- The fuse connected to the socket powering the product or the main fuse is blown. >>> Check the fuse.

### **Condensation on the side wall of the cooler compartment (MULTI ZONE, COOL CONTROL and FLEXI ZONE).**

- The door is opened too frequently. >>> Take care not to open the product's door too frequently.
- The environment is too humid. >>> Do not install the product in humid environments.

### **Preventing Odours**

The product is manufactured free of any odorous materials. However, inappropriately storing food and improper cleaning of internal surfaces may lead to odours.

- To avoid this, clean the inside with carbonated water every 15 days.
- Keep the foods in sealed holders, as micro-organisms arising from foods kept in unsealed containers will cause bad odour.
- Do not keep expired and spoiled foods in the refrigerator.

### **Protecting Plastic Surfaces**

Oil spilled on plastic surfaces may damage the surface and must be cleaned immediately with warm water.

- Foods containing liquids are kept in unsealed holders. >>> Keep the foods containing liquids in sealed holders.
- The product's door is left open. >>> Do not keep the product's door open for long periods.
- The thermostat is set to a very cool temperature. >>> Set the thermostat to an appropriate temperature.

### **Compressor is not working.**

- In case of sudden power failure or pulling the power plug off and putting back on, the gas pressure in the product's cooling system is not balanced, which triggers the compressor thermic safeguard. The product will restart after approximately 6 minutes. If the product does not restart after this period, contact the service.
- Defrosting is active. >>> This is normal for a fully-automatic defrosting product. The defrosting is carried out periodically.
- The product is not plugged in. >>> Make sure the power cord is plugged in.
- The temperature setting is incorrect. >>> Select the appropriate temperature setting.
- The power is out. >>> The product will continue to operate normally once the power is restored.

**The refrigerator's operating noise is increasing while in use.**

- The product's operating performance may vary depending on the ambient temperature variations. This is normal and not a malfunction.

**The refrigerator runs too often or for too long.**

- The new product may be larger than the previous one. Larger products will run for longer periods.
- The room temperature may be high. >>> The product will normally run for long periods in higher room temperature.
- The product may have been recently plugged in or a new food item is placed inside. >>> The product will take longer to reach the set temperature when recently plugged in or a new food item is placed inside. This is normal.
- Large quantities of hot food may have been recently placed into the product. >>> Do not place hot food into the product.
- The doors were opened frequently or kept open for long periods. >>> The warm air moving inside will cause the product to run longer. Do not open the doors too frequently.
- The freezer or cooler door may be ajar. >>> Check that the doors are fully closed.
- The product may be set to a temperature that is too low. >>> Set the temperature to a higher degree and wait for the product to reach the adjusted temperature.
- The cooler or freezer door washer may be dirty, worn out, broken or not properly settled. >>> Clean or replace the gasket. Damaged / torn door washer will cause the product to run for longer periods to preserve the current temperature.

**The freezer temperature is very low, but the cooler temperature is adequate.**

- The freezer compartment temperature is set to a very low degree. >>> Set the freezer compartment temperature to a higher degree and check again.

**The cooler temperature is very low, but the freezer temperature is adequate.**

- The cooler compartment temperature is set to a very low degree. >>> Set the cooler compartment temperature to a higher degree and check again.

**The food items kept in cooler compartment drawers are frozen.**

- The cooler compartment temperature is set to a very low degree. >>> Set the cooler compartment temperature to a higher degree and check again.

**The temperature in the cooler or the freezer is too high.**

- The cooler compartment temperature is set to a very high degree. >>> Temperature setting of the cooler compartment has an effect on the temperature in the freezer compartment. Wait until the temperature of relevant parts reach the sufficient level by changing the temperature of cooler or freezer compartments.
- The doors were opened frequently or kept open for long periods. >>> Do not open the doors too frequently.
- The door may be ajar. >>> Fully close the door.
- The product may have been recently plugged in or a new food item is placed inside. >>> This is normal. The product will take longer to reach the set temperature when recently plugged in or a new food item is placed inside.
- Large quantities of hot food may have been recently placed into the product. >>> Do not place hot food into the product.



**Shaking or noise.**

- The surface is not flat or durable >>> If the product is shaking when moved slowly, adjust the stands to balance the product. Also make sure the ground is sufficiently durable to bear the product.
- Any items placed on the product may cause noise. >>> Remove any items placed on the product.
- The product is making noise of liquid flowing, spraying etc.
- The product's operating principles involve liquid and gas flows. >>> This is normal and not a malfunction.

**There is sound of wind blowing coming from the product.**

- The product uses a fan for the cooling process. This is normal and not a malfunction.

**There is condensation on the product's internal walls.**

- Hot or humid weather will increase icing and condensation. This is normal and not a malfunction.
- The doors were opened frequently or kept open for long periods. >>> Do not open the doors too frequently; if open, close the door.
- The door may be ajar. >>> Fully close the door.

**There is condensation on the product's exterior or between the doors.**

- The ambient weather may be humid, this is quite normal in humid weather. >>> The condensation will dissipate when the humidity is reduced.

**The interior smells bad.**

- The product is not cleaned regularly. >>> Clean the interior regularly using sponge, warm water and carbonated water.

- Certain holders and packaging materials may cause odour. >>> Use holders and packaging materials without free of odour.
- The foods were placed in unsealed holders. >>> Keep the foods in sealed holders. Micro-organisms may spread out of unsealed food items and cause bad odour.
- Remove any expired or spoiled foods from the product.

**The door is not closing.**

- Food packages may be blocking the door. >>> Relocate any items blocking the doors.
- The product is not standing in full upright position on the ground. >>> Adjust the stands to balance the product.
- The surface is not flat or durable >>> Make sure the surface is flat and sufficiently durable to bear the product.

**The crisper is jammed.**

- The food items may be in contact with the upper section of the drawer. >>> Reorganize the food items in the drawer.

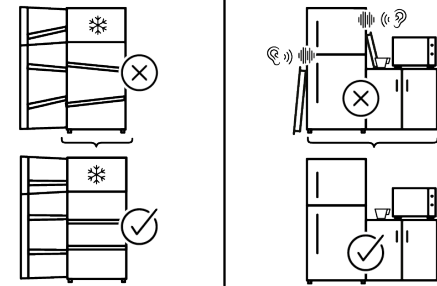
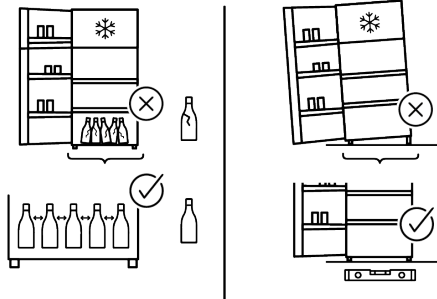
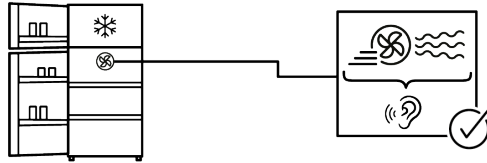
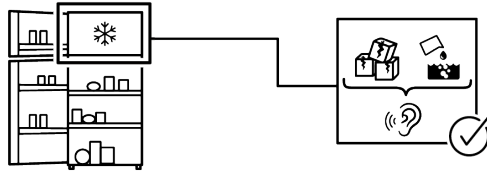
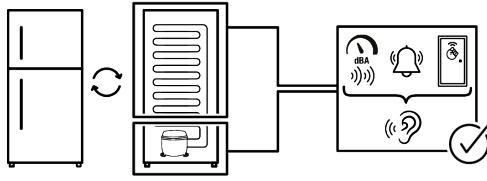
**Temperature on the product surface.**

- High temperature may be observed between two doors, on the side panels and on the rear grill area while your product is operated. This is normal and it does not require servicing.

**Fan continues to operate when the door is opened.**

- Fan may continue to operate when the freezer door is open.

If the problem persists after following the instructions in this section, contact your vendor or an Authorized Service. Do not try to repair the product. This is normal.



## DISCLAIMER

Some (simple) failures can be adequately handled by the end-user without any safety issue or unsafe use arising, provided that they are carried out within the limits and in accordance with the following instructions (see the "Self-Repair" section).

Therefore, unless otherwise authorized in the "Self-Repair" section below, repairs shall be addressed to registered professional repairers in order to avoid safety issues. A registered Professional repairer is a professional repairer that has been granted access to the instructions and spare parts list of this product by the manufacturer according to the methods described in legislative acts pursuant to Directive 2009/125/EC.

**However, only the service agent (i.e. authorized professional repairers) that you can reach through the phone number given in the user manual/warranty card or through your authorized dealer may provide service under the guarantee terms. Therefore, please be advised that repairs by professional repairers (who are not authorized by) Whirlpool shall void the guarantee.**

### Self-Repair

Self-repair can be done by the end-user with regard exclusively to the following spare parts: door handles, door hinges, trays, baskets and door gaskets (an updated list is also available <https://parts-selfservice.europeanappliances.com> as of 1st March 2021).

Moreover, to ensure product safety and to prevent risk of serious injury, the mentioned self-repair shall be done following the instructions in the user manual for self-repair or which are available in <https://parts-selfservice.europeanappliances.com>. For your safety, unplug the product before attempting any self-repair.

Repair and repair attempts by end-users for parts not included in such list and/or not following the instructions in the user manuals for self-repair or which are available in <https://parts-selfservice.europeanappliances.com>, might give rise to safety issues not attributable to Whirlpool, and will void the warranty of the product.

Therefore, it is highly recommended that end-users refrain from the attempt to carry out repairs falling outside the mentioned list of spare parts, contacting in such cases authorized professional repairers or registered professional repairers. On the contrary, such attempts by end-users may cause safety issues and damage the product and subsequently cause fire, flood, electrocution and serious personal injury to occur.

By way of example, but not limited to, the following repairs must be addressed to authorized professional repairers or registered professional repairers: compressor, cooling circuit, main board, inverter board, display board, etc.

The manufacturer/seller cannot be held liable in any case where end-users do not comply with the above.

The spare part availability of the refrigerator that you purchased is 10 years. During this period, original spare parts will be available to operate the refrigerator properly. The minimum duration of guarantee of the refrigerator that you purchased is 24 months.

This product is equipped with a lighting source of the "G" energy class.

The lighting source in this product shall only be replaced by Professional repairer.

See also

## 2 CLAUSE DE NON-RESPONSABILITÉ [ ] 60]



## Premièrement veuillez lire ce manuel !

**Cher client, chère cliente,**

Nous vous remercions d'avoir choisi ce produit.

Veuillez enregistrer vos produits sur [www.register10.eu](http://www.register10.eu)






Nous aimerions que vous obteniez une efficacité optimale de cet appareil de haute qualité qui a été fabriqué avec une technologie de pointe. Pour ce faire, lisez attentivement ce manuel et toute autre documentation fournie avant d'utiliser le produit.

Tenez compte de toutes les informations et avertissements du manuel d'utilisation. De cette façon, vous vous protégez, vous et votre appareil, contre les dangers qui peuvent survenir. Conservez le manuel d'utilisation. Joignez ce guide à l'unité si vous le remettez à quelqu'un d'autre.

**Les symboles suivants sont utilisés dans le manuel de l'utilisateur et sur le produit :**



**Lisez le manuel d'utilisation.**

 <b>ENERG</b>  	Les informations sur le modèle, telles qu'elles sont enregistrées dans la base de données des produits, peuvent être obtenues en accédant au site web suivant et en recherchant l'identifiant du modèle (*) figurant sur l'étiquette énergétique. <a href="https://eprel.ec.europa.eu/">https://eprel.ec.europa.eu/</a>
<b>SUPPLIER'S NAME</b> <b>MODEL IDENTIFIER</b> → (*)  	




<b>1</b>	<b>Instructions environnementales .....</b>	<b>32</b>
1.1	Élimination des matériaux d'emballage.....	32
<b>2</b>	<b>Votre réfrigérateur .....</b>	<b>33</b>
<b>3</b>	<b>Installation.....</b>	<b>34</b>
3.1	Branchement électrique.....	36
<b>4</b>	<b>Préparation.....</b>	<b>36</b>
4.1	Moyens d'économiser l'énergie....	36
4.2	Première utilisation .....	37
4.3	Classe climatique et définitions...	37
<b>5</b>	<b>Fonctionnement de l'appareil .....</b>	<b>38</b>
<b>6</b>	<b>Panneau de contrôle du produit.....</b>	<b>38</b>
<b>7</b>	<b>Utilisation de votre appareil.....</b>	<b>40</b>
7.1	Stockage des aliments dans le compartiment du congélateur et du réfrigérateur.....	40
7.2	Remplacement de la lampe d'éclairage.....	43
7.3	Alerte de porte ouverte.....	43
<b>8</b>	<b>Caractéristiques du produit.....</b>	<b>43</b>
8.1	La zone de stockage de la glace ..	43
8.2	Porte-œuf .....	46
8.3	Bac à légumes .....	46
8.4	Zone d'entreposage frais des produits laitiers .....	46
8.5	bac à légumes avec contrôle d'humidité .....	46
8.6	Raccordement de l'eau .....	46
<b>9</b>	<b>Entretien et nettoyage.....</b>	<b>52</b>
<b>10</b>	<b>Dépannage.....</b>	<b>54</b>

# 1 Instructions environnementales

---

## 1.1 Élimination des matériaux d'emballage

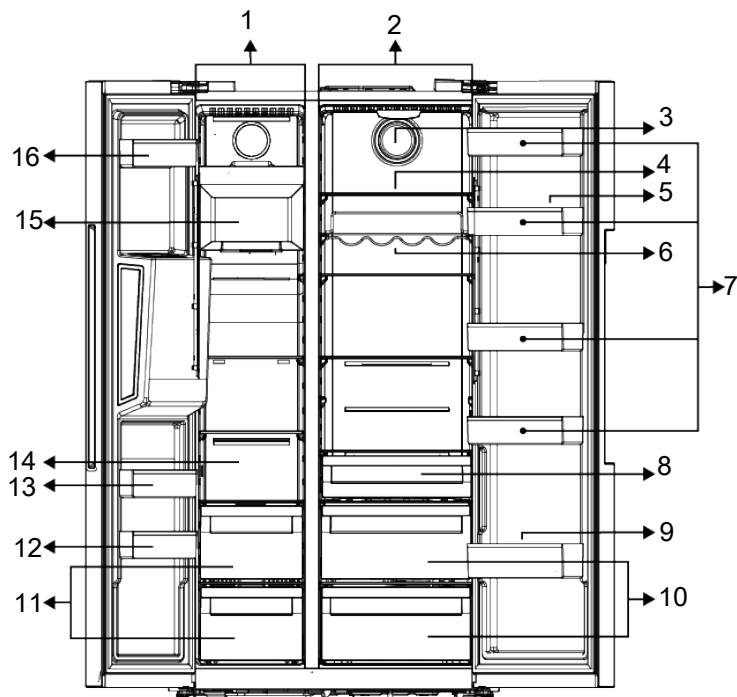
Les matériaux d'emballage sont recyclables et sont marqués du symbole de recyclage .

Les différentes parties de l'emballage doivent donc être éliminées de manière responsable et dans le respect des réglementations locales en matière d'élimination des déchets.



## 2 Votre réfrigérateur

FR



1 Compartiment de congélateur

3 Ventilateur

5 Porte-œufs

7 \*Étagère de la porte du compartiment réfrigéré

9 Étagère pour les bouteilles

11 Compartiments de conservation des aliments congelés

13 Balconnets de la porte du compartiment congélateur

15 \*Machine à glaçons

2 Compartiment réfrigéré

4 \* Étagère en verre du compartiment réfrigéré

6 Étagère pour les bouteilles

8 \* Bac pour produits laitiers (chambre froide)

10 \*Bacs à légumes

12 Balconnets de la porte du compartiment congélateur

14 Compartiments pour produits congelés et tablette en verre

16 Balconnets de la porte du compartiment congélateur

**\*En option :** Les illustrations présentées dans ce manuel d'utilisation sont schématisées et peuvent ne pas correspondre

exactement à votre produit. Si votre appareil ne présente pas les parties citées, alors l'information s'applique à d'autres modèles.

### 3 Installation

#### Le bon endroit pour l'installation

Lisez d'abord la « Instructions de sécurité » !

Contactez le service agréé pour l'installation de votre réfrigérateur. Pour préparer l'installation du réfrigérateur, lisez attentivement les instructions du manuel d'utilisation et assurez-vous que les équipements électriques et d'approvisionnement d'eau sont installés convenablement. Si ce n'est pas le cas, appelez un électricien et un plombier pour faire le nécessaire pour les services publics.

- Les câbles d'alimentation endommagés doivent être remplacés par le service agréé.
- Lorsque deux réfrigérateurs sont installés côte à côte, laissez au moins 4 cm de distance entre les deux appareils
- Conservez le produit à l'abri de la lumière directe du soleil et dans un endroit sec.
- Votre appareil nécessite une circulation d'air adéquate pour pouvoir fonctionner efficacement. Si vous placez l'appareil dans une alcôve, n'oubliez pas de laisser un espace d'au moins 5 cm entre l'appareil, le plafond, la paroi arrière et les parois latérales. Vérifiez que l'élément de protection d'espace de la façade arrière est présent à son emplacement (au cas où il est fourni avec l'appareil). Si l'élément n'est pas disponible, perdu ou tombé, positionnez l'appareil de manière à laisser un espace d'au moins 5 cm entre la surface arrière de l'appareil et les murs de la pièce. L'espace prévu à l'arrière est important pour le fonctionnement efficace de l'appareil.
- Si le cadre de la porte est trop étroit pour laisser passer l'appareil, retirez la porte et faites passer l'appareil sur les côtés ; si cela ne fonctionne pas, contactez le service agréé.
- Placez l'appareil sur une surface plane pour éviter les vibrations

- Placez le produit à 30 cm du chauffage, de la cuisinière et des autres sources de chaleur similaires et à au moins 5 cm des fours électriques.
- N'exposez pas le produit directement à lumière du soleil et ne le laissez pas dans des environnements humides.
- Avant le transport ou l'utilisation, n'ouvrez jamais le couvercle de la carte de contrôle du produit. Risque de choc électrique et d'incendie !
- Notre entreprise ne sera pas tenue responsable de tout dommage résultant de l'utilisation de l'appareil sans prise de mise à la terre ou branchement électrique conforme à la norme nationale en vigueur.
- Gardez la fiche du câble d'alimentation à portée de main après l'installation.

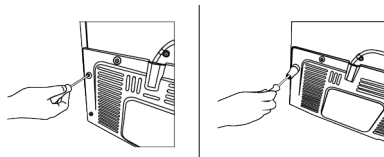
#### Attention aux surfaces chaudes !

Les parois latérales de votre appareil sont équipées de tuyaux de refroidissement pour améliorer le système de refroidissement. Un fluide à haute pression peut s'écouler à travers ces surfaces, et provoquer des surfaces chaudes sur les parois latérales. C'est normal et cela ne nécessite pas d'entretien. Faites attention lorsque vous contactez ces zones.

#### Fixation des cales en plastique

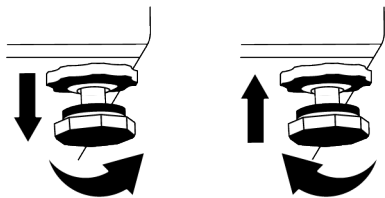
Utilisez les cales en plastiques fournies avec le réfrigérateur pour maintenir une circulation d'air suffisante entre le réfrigérateur et le mur.

- Retirez les vis du produit et montez les vis fournies avec les cales.
- Fixez 2 cales en plastique sur le couvercle de ventilation tel qu'illustré par l'image.



### Réglages des pieds avant

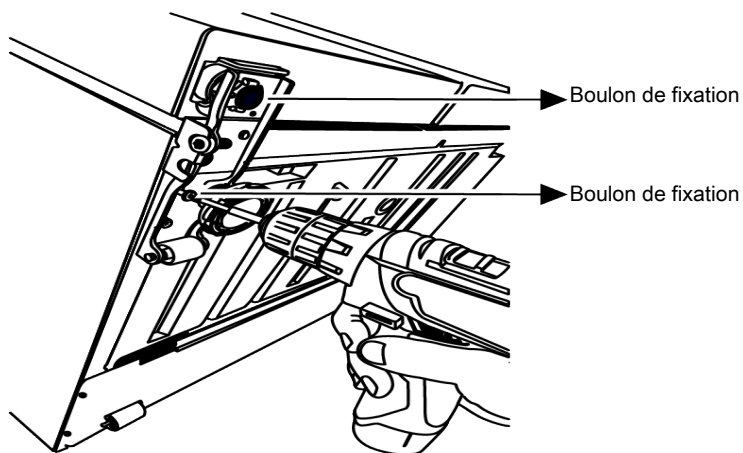
Si le réfrigérateur n'est pas équilibré, réglez les pieds avant en les tournant vers la gauche ou la droite.



### Pour le réglage vertical des portes,

Desserrez l'écrou de fixation en bas. Vissez l'écrou de réglage (CW/CCW) selon la position de la porte. Serrez l'écrou boulon de fixation pour la position finale.

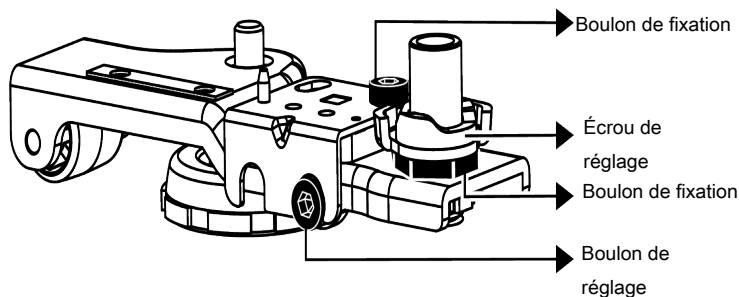
FR



### Pour le réglage des portes à l'horizontale,

Desserrez la vis de fixation dans la partie inférieure et desserrez l'écrou de fixation dans la partie supérieure. Vissez le boulon

de réglage (CW/CCW) sur le côté en fonction de la position de la porte. Serrez le boulon de fixation dans la partie supérieure pour la position finale et serrez la vis de fixation dans la partie inférieure



### 3.1 Branchement électrique



**ATTENTION** : N'utilisez pas de câbles de rallonge ou de prises multiples pour le branchement électrique.



**ATTENTION** : Les câbles d'alimentation endommagés doivent être remplacés par le service agréé.



Attention aux surfaces chaudes ! Les parois latérales de votre appareil sont équipées de tuyaux de refroidissement pour améliorer le système de refroidissement. Un fluide à haute pression peut s'écouler à travers ces surfaces, et provoquer des surfaces chaudes sur les parois latérales. C'est normal et cela ne nécessite pas d'entretien. Faites attention lorsque vous contactez ces zones.



Avant le transport ou l'utilisation, n'ouvrez jamais le couvercle de la carte de contrôle du produit. Risque de choc électrique et d'incendie ! Notre entreprise ne sera pas tenue responsable de tout dommage résultant de l'utilisation de l'appareil sans prise de mise à la terre ou branchement électrique conforme à la norme nationale en vigueur. Gardez la fiche du câble d'alimentation à portée de main après l'installation.

## 4 Préparation

Lisez d'abord les « Consignes de sécurité » !

### 4.1 Moyens d'économiser l'énergie

- Cet appareil de réfrigération n'est pas conçu pour être utilisé comme un appareil encastré.
- Lorsque vous chargez les aliments, laissez suffisamment d'espace à l'intérieur du réfrigérateur pour permettre une circulation d'air suffisante pour le refroidissement.
- Comme l'air chaud et humide ne pénètre pas directement dans votre produit lorsque les portes ne sont pas ouvertes, votre produit s'optimisera dans des

conditions suffisantes pour protéger vos aliments. Dans ces conditions, les fonctions et les composants tels que le compresseur, le ventilateur, le chauffage, le dégivrage, l'éclairage, l'affichage, etc. fonctionneront en fonction des besoins en consommant un minimum d'énergie.

- Dans le cas où plusieurs options sont présentes, les étagères en verre doivent être placées de manière à ce que les sorties d'air de la paroi arrière ne soient pas bloquées et, de préférence, de manière à ce que les sorties d'air restent sous l'étagère en verre. Cette combinaison peut contribuer à améliorer la distribution de l'air et l'efficacité énergétique.
- Il est fortement recommandé d'utiliser le tiroir du bas pour le rangement.
- Pour une performance optimale, la fonction de congélation rapide peut être utilisée (si elle est disponible) 24 heures avant de placer les aliments frais dans le congélateur.
- Dans la plupart des cas, 24 heures suffisent pour utiliser la fonction de congélation rapide après que les aliments frais ont été placés dans le congélateur. Au bout d'un certain temps, la fonction de congélation rapide se désactive automatiquement.
- Lorsque vous congelez une petite quantité d'aliments, la fonction de congélation rapide peut être désactivée au bout d'un certain temps pour économiser de l'énergie.
- Les aliments sont stockés à l'aide des tiroirs du compartiment réfrigéré afin de garantir une économie d'énergie et de protéger les aliments dans de meilleures conditions.

## 4.2 Première utilisation

Avant d'utiliser votre appareil, assurez-vous que les installations nécessaires sont conformes aux instructions des sections « Consignes de sécurité » et « Installation ».

- Attendez au moins 2 heures avant de faire fonctionner le produit, afin d'assurer la pleine efficacité de la réfrigération.

- Laissez l'appareil fonctionner à vide pendant 6 heures, et la porte de l'appareil doit être maintenue fermée autant que possible.
- Le changement de température causé par l'ouverture et la fermeture de la porte pendant l'utilisation du produit peut normalement entraîner la formation de condensation sur les tablettes de la porte/du corps et sur les verres placés dans l'appareil.
- Un son retentit à l'activation du compresseur. Il est normal que l'appareil fasse du bruit même si le compresseur ne fonctionne pas, car du fluide et du gaz peuvent être comprimés dans le système de refroidissement.
- Il est normal que les bords avant de l'appareil soient chauds. Ces parties doivent en principe être chaudes afin d'éviter la condensation.
- Pour certains modèles, le panneau indicateur s'éteint automatiquement 1 minute après la fermeture des portes. Il s'active à nouveau à l'ouverture de la porte ou lorsque vous appuyez sur n'importe quelle touche.

## 4.3 Classe climatique et définitions

Veillez vous référer à la classe climatique figurant sur la plaque signalétique de votre appareil. L'une des informations suivantes s'applique à votre appareil selon la classe climatique.

- **SN** : Climat tempéré à long terme : Ce dispositif de refroidissement est conçu pour être utilisé à une température ambiante comprise entre 10 °C et 32 °C.
- **N** : Climat tempéré : Ce dispositif de refroidissement est conçu pour être utilisé à une température ambiante comprise entre 16°C et 32 °C.
- **ST** : Climat subtropical : Ce dispositif de refroidissement est conçu pour être utilisé à une température ambiante comprise entre 16°C et 38°C.



que vous gardez la porte ouverte pendant une longue période. Il ne s'agit pas d'un défaut, cet avertissement disparaît lorsque l'aliment est refroidi ou lorsqu'on appuie sur une touche quelconque.

### **Touche de fonction Arrêt du compartiment réfrigéré (vacances)**

Pour activer la fonction vacances, appuyez sur cette touche pendant 3 secondes.

Le mode vacances s'active et le voyant LED sur le bouton s'allume. « - - » doit être affiché sur l'indicateur de température du compartiment de refroidissement et le compartiment de refroidissement n'effectue pas de refroidissement actif. Vous ne devez pas conserver vos aliments dans le compartiment réfrigérateur lorsque cette fonction est activée. Les autres compartiments continuent à se refroidir en fonction des températures précédemment réglées. Il suffit d'appuyer et de maintenir à nouveau sur la touche pendant 3 secondes pour annuler cette fonction.

### **Clé de refroidissement rapide**

Lorsque vous appuyez sur le bouton de refroidissement rapide, la LED sur le bouton s'allume et la fonction de refroidissement rapide est activée. La température du compartiment de refroidissement est réglée à 1 °Celsius. Appuyez à nouveau sur la touche pour annuler la fonction. La fonction de congélation rapide s'arrête automatiquement lorsque le refroidissement est terminé.

### **Touche de réglage de la température du compartiment réfrigérateur**

Permet de régler la température du compartiment réfrigérateur. En appuyant sur cette touche, la température du compartiment de refroidissement peut être réglée à 8,7,6,5,4,3,2 et 1 Celsius.

### **Touche du module désodorisant**

Appuyez sur cette touche pendant 3 secondes pour activer/désactiver la fonction désodorisante. Lorsque la fonction anti-odeur est activée, le voyant LED de la

touche correspondante s'allume. Lorsque la fonction est activée, le module désodorisant fonctionne périodiquement.

### **Clé d'avertissement de remplacement du filtre**

Le filtre d'arrivée d'eau du réfrigérateur doit être remplacé à intervalles réguliers. Votre réfrigérateur calcule ce temps de façon automatique. Lorsque la durée de vie du filtre est épuisée, le voyant du bouton d'avertissement de remplacement du filtre s'allume. Une fois le filtre remplacé, maintenez le bouton enfoncé pendant 3 secondes pour éteindre le voyant d'avertissement de remplacement du filtre.

### **Clé de sélection de l'eau, des glaçons et des particules de glace**

Cette touche permet de passer d'une option à l'autre : eau, glaçons ou glace pilée. Lorsque vous activez la fonction, le voyant du bouton reste allumé.

### **Clé sans fil**

Cette clé est utilisée pour établir une connexion sans fil avec votre produit via l'application mobile HomeWhiz.

Si vous appuyez sur la touche pendant 3 secondes, la LED sur la touche clignote lentement (à des intervalles de 0,5 seconde). Le réseau domestique est initialisé sur le produit de cette façon.

Après avoir établi une connexion sans fil avec l'appareil, le voyant LED de la touche s'allume en continu.

Lorsque la connexion initiale est établie, vous pouvez activer/désactiver la connexion en appuyant brièvement sur cette touche. La LED sur le bouton doit clignoter rapidement (à des intervalles de 0,2 seconde) jusqu'à ce que votre appareil soit connecté. Lorsque la connexion est activée, la LED reste allumée.

En cas d'impossibilité d'établir la connexion pendant une longue période, vérifiez vos paramètres de connexion et reportez-vous à la section « Dépannage » fournie dans le manuel de l'utilisateur.

L'application HomeWhiz doit être utilisée pour la connexion sans fil. Les étapes d'installation sont décrites sur la demande lors de l'installation. Vous pouvez accéder à la demande en lisant le code QR disponible sur l'étiquette HomeWhiz apposée sur le produit. L'application est proposée par l'App Store pour les appareils IOS, et par le Play Store pour les appareils Android. Visitez l'adresse <https://www.homewhiz.com/> pour des informations détaillées.

### **Touche de réglage de la température du compartiment congélateur**

Le réglage de la température est effectué pour le compartiment de congélation. En appuyant sur cette touche, la température

du compartiment congélateur peut être réglée à -16,-17,-18,-19,-20,-21,-22 degrés Celsius.

## **ATTENTION**



**La température peut être réglée entre 1-8° C pour le compartiment réfrigérateur et entre - 24 et - 15° C pour le compartiment congélateur. Les valeurs de température réglables peuvent varier, à condition qu'elles se situent dans ces fourchettes, conformément aux spécifications du produit.**

## **7 Utilisation de votre appareil**

### **7.1 Stockage des aliments dans le compartiment du congélateur et du réfrigérateur**

#### **Stockage des aliments dans le compartiment congélateur**

- Vous pouvez activer la fonction de congélation rapide 4 à 6 heures avant la fonction de congélation et obtenir un refroidissement plus rapide.
- Amenez les repas chauds à la température ambiante avant de les placer dans le compartiment congélateur.
- Les aliments à congeler doivent être divisés en portions en fonction de la taille à consommer, et congelés dans des emballages séparés.
- Il est recommandé d'emballer les aliments avant de les placer dans le congélateur.
- Afin de prévenir l'expiration du temps de conservation, inscrivez la date et l'heure de congélation ainsi que le nom du produit sur l'emballage, en fonction des temps de conservation des différents aliments.
- Consommez rapidement les aliments que vous avez décongelés. Les aliments décongelés ne peuvent être recongelés

que s'ils sont cuits. Il n'est pas sûr de consommer les aliments frais recongelés sans cuisson après leur décongélation.

- Lorsque vous congelez des aliments frais, ne les mettez pas en contact avec des aliments déjà congelés. Sinon, les aliments congelés seront décongelés.

#### **Stocker les aliments, qui sont vendus congelés**

- Respectez les durées indiquées dans ces instructions pour la conservation des aliments.
- Afin de préserver la qualité des aliments, veillez à ce que l'intervalle de temps entre la transaction d'achat et le stockage soit aussi court que possible.
- Achetez des aliments congelés stockés à des températures inférieures ou égales à - 18 °C.
- Évitez d'acheter des aliments dont l'emballage est recouvert de glace, etc. Cela signifie que le produit pourrait être partiellement décongelé et recongelé. La température a un impact sur la qualité des aliments.
- Ne dépassez pas la durée de conservation recommandée par le producteur de l'aliment. Ne sortez du congélateur que les aliments dont vous avez besoin.



- Sauf en cas de circonstances extrêmes dans l'environnement, si votre produit (sur le tableau des valeurs de consigne recommandées) est réglé sur les valeurs de consigne spécifiées, les aliments conservent leur fraîcheur plus longtemps, aussi bien dans le compartiment des produits frais que dans celui du congélateur.
- Si le compartiment des aliments frais est réglé sur une température inférieure, les fruits et légumes frais peuvent être partiellement congelés.

### Congélation rapide

1. Activez la fonction de congélation rapide 24 heures avant de placer vos aliments frais dans le congélateur.
2. 24 heures après avoir appuyé sur le bouton, placez les aliments que vous souhaitez congeler dans le troisième ou le quatrième tiroir à capacité de congélation supérieure.
3. Une fois la fonction de congélation rapide activée, elle est automatiquement annulée après un certain temps.

### Détails du congélateur

Selon les normes IEC 62552, à une température ambiante de 25° C, le congélateur doit pouvoir congeler 4,5 kg de denrées alimentaires à - 18° C ou à des températures inférieures en 24 heures pour chaque 100 litres de volume du compartiment congélateur.

Les aliments peuvent être préservés pour des périodes prolongées uniquement à des températures inférieures ou égales à - 18° C.

Vous pouvez garder les aliments frais pendant des mois (dans le congélateur à des températures inférieures ou égales à - 18° C).

Les aliments à congeler ne doivent pas être en contact avec ceux déjà congelés pour éviter un dégivrage partiel.

Faites bouillir les légumes et filtrez l'eau pour prolonger la durée de conservation à l'état congelé. Placez les aliments dans des emballages sous vide après les avoir filtrés et placez-les dans le congélateur. Les ba-

nanes, les tomates, les feuilles de laitue, le céleri, les œufs durs, les pommes de terre et les aliments similaires ne doivent pas être congelés. Si ces aliments sont congelés, seules les valeurs nutritionnelles et les qualités gustatives seront affectées. Une pourriture qui mettrait en danger la santé humaine n'est pas à l'ordre du jour.

### Placer les aliments

**Balconnets du compartiment congélateur** : Différents aliments congelés comme la viande, le poisson, la crème glacée, les légumes, etc.

**Étagères du compartiment réfrigérateur** : Les aliments contenus dans des casseroles, des plats couverts, des gamelles et les œufs (dans des gamelles fermées)

**Balconnets de la porte du compartiment réfrigérateur** : Aliments ou boissons de petite taille et emballés.

**Bac à légumes** : Légumes et fruits

**Compartiment des aliments frais** : Delicatessen (aliments pour le petit déjeuner, produits carnés à consommer dans un délai court).

### Stockage des aliments dans le compartiment réfrigérant

- La température des compartiments augmente considérablement si la porte du compartiment est ouverte et fermée fréquemment et si elle reste ouverte pendant longtemps, ce qui peut réduire la durée de vie des aliments et les faire se gâter.
- Afin de ne pas provoquer de changements d'odeur et de goût, les aliments doivent être conservés dans des récipients fermés.
- Ne conservez pas de quantités excessives d'aliments dans votre réfrigérateur. Pour obtenir un refroidissement plus efficace et homogène, placez les aliments séparément de manière à ce que l'air froid puisse circuler.

- Assurez la circulation de l'air en laissant un espace entre l'aliment et la paroi interne. Si vous appuyez les aliments contre la paroi arrière, ils risquent de geler.
- Amenez les plats chauds cuisinés à la température ambiante avant de les placer dans le réfrigérateur. Ensuite, vous pouvez placer le repas tiède dans les étagères inférieures de votre réfrigérateur. Ne placez pas les repas tièdes à proximité des aliments qui peuvent facilement se gâter.
- Décongelez vos aliments congelés dans le compartiment des aliments frais. Ainsi, vous pouvez refroidir le compartiment des aliments frais en utilisant des aliments congelés et économiser de l'énergie.
- Conservez les fruits tropicaux non mûrs (mangue, variétés de melon, papaye, banane, ananas) au réfrigérateur peut accélérer le processus de maturation. Ceci n'est pas recommandé car cela entraînera une réduction de la durée de stockage.
- Vous devez conserver les oignons, les aulx, les gingembres et les autres légumes-racines dans une pièce sombre et froide, et non au réfrigérateur.
- Si vous remarquez qu'un aliment a tourné dans le réfrigérateur, jetez-le et nettoyez les accessoires qui ont été en contact avec cet aliment.
- Pour refroidir rapidement les plats tels que les soupes et les ragoûts, qui sont cuits dans de grandes marmites, vous pouvez les mettre au réfrigérateur en les séparant dans leurs propres récipients peu profonds.
- Ne placez pas d'aliments non emballés à proximité des œufs.
- Conservez les fruits et les légumes séparément et conservez chaque variété dans un même endroit (par exemple, les pommes avec les pommes, les carottes avec les carottes, etc.).
- Sortez les légumes verts du sac en plastique et placez-les au réfrigérateur après les avoir enveloppés dans une serviette en papier ou un linge sec. Si vous lavez ce type d'aliments avant de les placer dans le réfrigérateur, n'oubliez pas de les sécher.
- Vous pouvez à la fois créer un environnement humide et assurer une circulation d'air en conservant les fruits et légumes, qui ont tendance à sécher, dans des sacs en plastique perforés ou non fermés.
- Sauf en cas de circonstances extrêmes dans l'environnement, si votre produit (sur le tableau des valeurs de consigne recommandées) est réglé sur les valeurs de consigne spécifiées, les aliments conservent leur fraîcheur plus longtemps, aussi bien dans le compartiment des produits frais que dans celui du congélateur.

**Conservez les différents aliments dans des endroits différents en fonction de leurs caractéristiques.**

Aliment	Emplacement
Œuf	Balconnet
Produits laitiers (beurre, fromage)	Si disponible, compartiment zéro degré (pour les aliments du petit-déjeuner)
Fruits, légumes et verdure	Compartiment fruits-légumes, bac à légumes ou Compartiment EverFresh+ (si disponible)
Viande fraîche, volaille, poisson, saucisses, etc. Aliments cuits	Si disponible, compartiment zéro degré (pour les aliments du petit-déjeuner)
Aliments prêts à consommer, produits emballés, conserves, produits marinés	Étagères supérieures ou balconnet
Boissons, bouteilles, épices et snacks	Balconnet

## Tableau des valeurs de réglage recommandées

Réglage du compartiment congélateur	Réglage du compartiment réfrigérateur	Remarques
-22°C	4°C	Ce réglage est celui qui est recommandé par défaut. Ce réglage est recommandé si la température ambiante est inférieure à 30° C.
-22°C ou plus froid	4°C	Ces réglages sont recommandés pour des températures ambiantes excédant 30 °C.
Congélation rapide	4°C	Est utilisée lorsque vous voulez congeler vos denrées pendant une courte période. Lorsque le processus se termine, les paramètres du produit reviennent à la position précédente.
-18°C ou plus froid	2 °C.	Utilisez ces paramètres si à votre avis le compartiment réfrigérateur n'est pas assez froid en raison de la température ambiante ou de l'ouverture fréquente de la porte.

### 7.2 Remplacement de la lampe d'éclairage

Appelez le service autorisé lorsque l'ampoule/LED utilisée pour l'éclairage de votre réfrigérateur doit être remplacée.

La ou les lampes utilisées dans cet appareil ne peuvent pas être utilisées pour l'éclairage de la maison. L'objectif de cette lampe est d'aider l'utilisateur à placer les aliments dans le réfrigérateur/congélateur de manière sûre et confortable.

### 7.3 Alerte de porte ouverte

Le système d'alerte d'ouverture de porte de votre réfrigérateur peut varier selon le modèle.

#### Version 1;

Si la porte du produit reste ouverte pendant un certain temps (entre 60 s et 120 s), un signal d'avertissement sonore retentit ; selon le modèle de produit, un signal d'aver-

tissement visuel (flash lumineux) peut également être affiché. Si vous fermez la porte de l'appareil ou appuyez sur une touche de l'écran de l'appareil, le signal d'avertissement sonore s'arrête.





#### Version 2;


Si la porte de l'appareil reste ouverte pendant un certain temps (entre 60 s et 120 s), l'alarme d'ouverture de porte retentit. L'alarme d'ouverture de porte retentit progressivement. Un signal d'avertissement sonore retentit d'abord. Si la porte n'est toujours pas fermée après 4 minutes, un avertissement visuel (lumière clignotante) est activé. L'alarme d'ouverture de porte est retardée pendant un certain temps (entre 60 s et 120 s) si l'on appuie sur n'importe quelle touche de l'écran du produit (le cas échéant). Le processus recommence alors. Lorsque la porte de l'appareil est fermée, l'alarme d'ouverture de porte est annulée.

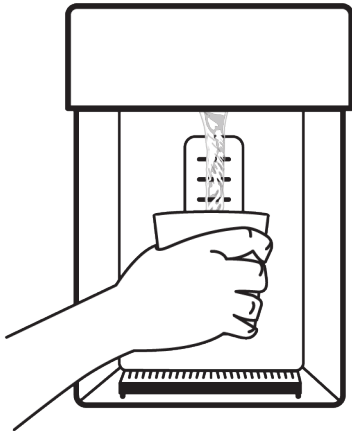
## 8 Caractéristiques du produit

### 8.1 La zone de stockage de la glace

#### Prise de glace/eau

Sélectionnez l'option correspondante en utilisant l'écran afin de prendre de l'eau () / glaçons () / glace brisée (). Appuyez sur la gâchette du distributeur d'eau pour prendre de l'eau/de la glace. Lorsque vous passez des options glaçons () /

glace brisée () , le type de glace restant de la sélection précédente peut être donné lors des premières prises.



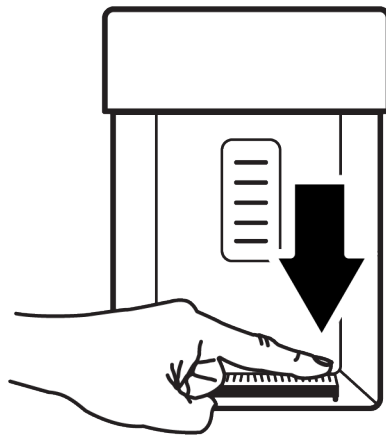
- Pour pouvoir prélever de la glace dans le distributeur de glace/eau pour la première fois, vous devez attendre environ 12 heures. S'il n'y a pas assez de glace dans le bac à glace, vous ne pouvez pas prendre de glace dans le distributeur.
- Ne consommez pas les glaçons (3-4 litres) après la première utilisation.
- Si une panne de courant ou un dysfonctionnement temporaire survient pendant que le produit fonctionne, les glaces peuvent fondre un peu et se recongeler. Dans ce cas, les glaces peuvent se coller les unes aux autres. En cas de panne de courant ou de dysfonctionnement, les glaces peuvent fondre et provoquer une fuite d'eau. Lorsqu'un tel problème se présente, nettoyez le bac à glace en versant les glaçons restés dans le bac à glace.
- Le système d'eau du produit doit uniquement être connecté à la ligne d'eau froide. Il ne doit pas être raccordé à la conduite d'eau chaude.
- Il est interdit de prendre de l'eau lors de la première utilisation du produit. Cela est dû à la présence d'air dans le système. Vous devez évacuer l'air du système. Pour cela, appuyez sur la gâchette du distributeur pendant 1 à 2 minutes jusqu'à ce que l'eau sorte du distributeur d'eau. Au début, l'écoulement de l'eau

peut être irrégulier. Le débit d'eau reviendra à la normale une fois que l'air du système aura été évacué.

- Une eau trouble peut sortir lorsque le filtre est utilisé pour la première fois. Ne consommez pas les 10 premiers verres d'eau.
- Lorsque le produit est mis en place pour la première fois, il faut attendre environ 12 heures pour que l'eau refroidisse.
- Le système d'eau du produit a été conçu de manière à ce qu'il ne puisse fonctionner qu'avec de l'eau propre. Utilisez uniquement de l'eau.
- Si vous n'utilisez pas le produit pendant une longue période pour des raisons de vacances, etc., nous vous recommandons d'annuler le raccordement à l'eau. Lorsque le distributeur d'eau n'est pas utilisé pendant une longue période, les 1 ou 2 premiers verres d'eau peuvent être chauds.

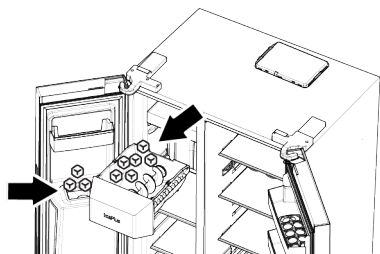
### Plateau d'égouttage

L'eau qui s'écoule du distributeur d'eau s'accumule sur le bac de récupération, il n'y a pas de sortie d'eau. Vous pouvez retirer le plateau d'égouttage en le tirant vers vous ou en appuyant sur son bord. Vous pouvez ainsi nettoyer l'eau dans le bac de récupération.



## Machine à glaçons

La machine à glaçons est située dans la partie supérieure du corps du congélateur. En saisissant la poignée située sous la partie avant, tirez le bac de stockage de glaçons vers vous pour le retirer.



### Pour retirer le bac de stockage de glaçons

Saisissez la poignée située au fond du bac et tirez-la vers vous.

### Pour réinstaller le bac de stockage de glaçons

Placez le bac dans sa fente et poussez-le vers l'arrière en le maintenant parallèle au sol. Veillez à ce qu'il n'y ait pas d'espace entre le bac et le compartiment de la machine à glaçons.

### Dans le cas où vous ne pouvez pas obtenir tous les glaçons produits

Les glaçons qui restent longtemps dans le bac de stockage peuvent se coller les uns aux autres et former de gros blocs de glace. Dans ce cas, retirez le bac de stockage de glaçons comme décrit dans le manuel, séparez les glaçons, retirez ceux qui ne peuvent pas être séparés du bac et remettez les glaçons restants dans le bac. Si le problème persiste, veuillez vérifier le canal de glace et dégager-le s'il est bloqué.

### Lors de la première utilisation de la machine à glaçons ou après une longue période

Les glaçons peuvent devenir plus petits en raison de l'air résiduel dans le système d'eau. L'air est automatiquement évacué après avoir été utilisé pendant un certain temps.

- N'utilisez pas les glaçons produits le premier jour afin de pouvoir rafraîchir l'eau restante dans le système.

- N'insérez pas votre main ou tout autre objet dans le canal à glace et les lames de broyage de la glace pendant que le réfrigérateur fonctionne..
- Ne laissez pas les enfants s'accrocher à la machine à glaçons, au bac de stockage de glaçons ou au distributeur d'eau/de glace.
- Saisissez fermement le bac de stockage de glaçons avec les deux mains pour ne pas le faire tomber.
- Lorsque vous fermez rapidement la porte de votre appareil, l'eau contenue dans la machine à glaçons risque d'éclabousser le bac de stockage des glaçons.
- Évitez de démonter le bac de stockage de glaçons, à moins que cela ne soit nécessaire.
- Si un bourrage se produit lors de la préparation de la glace pilée (l'appareil ne rejette pas de glace), essayez d'utiliser des glaçons.
- Ensuite, vous pouvez réessayer de récupérer les glaçons concassés.
- Lorsque vous recevez de la glace pilée, l'appareil peut d'abord produire des glaçons. Il est possible que l'appareil produise des glaçons lorsqu'il reçoit de la glace pilée.
- La porte du congélateur de la machine à glaçons peut être recouverte d'un léger givre et d'une couche de neige.
- C'est normal et nous vous recommandons de le nettoyer immédiatement.
- Après un certain temps, l'eau peut se remplir dans la grille qui se trouve au bas du distributeur d'eau.
- Nous vous recommandons d'éliminer régulièrement l'eau contenue dans la grille.
- Il est normal d'entendre un bruit lorsque les glaçons tombent du réservoir de glaçons. Cela ne signifie pas qu'il y a un dysfonctionnement.
- Le mécanisme de la lame du bac à glaçons est tranchant et peut vous couper la main.

- Si les glaçons ne s'échappent pas du distributeur de glace, cela signifie qu'ils sont peut-être collés les uns aux autres. Vous devez nettoyer le bac pour continuer à obtenir des glaçons.
- Si l'on appuie sur la gâchette pour obtenir de la glace (indicateur, etc.), il n'est pas possible de modifier le type de glace. Vous devez relâcher le déclencheur (indicateur, etc.), changer le type de glace et prendre à nouveau de la glace. Pour cela, vous pouvez reprendre de la glace après avoir changé le type de glace sur l'indicateur.

## 8.2 Porte-œuf

Vous pouvez placer le porte-œuf sur la porte ou l'étagère du corps que vous souhaitez.

Si le porte-œufs doit être placé sur l'étagère du corps, nous vous recommandons de choisir des étagères inférieures plus froides.

- Ne placez jamais le porte-œuf sur le compartiment congélateur..

## 8.3 Bac à légumes

Le bac à légumes du réfrigérateur est conçu pour conserver les légumes frais en préservant leur humidité. À cette fin, la circulation générale d'air froid est intensifiée dans le bac à légumes. Conservez les fruits et les légumes dans ce compartiment. Conservez séparément les légumes verts et les fruits pour prolonger leur durée de vie.

## 8.4 Zone d'entreposage frais des produits laitiers

### Tiroir de stockage du froid

Le tiroir de stockage du froid peut atteindre des températures plus basses dans le compartiment réfrigérant. Utilisez ce tiroir pour les produits de charcuterie (salami, saucisse, etc.) et les produits laitiers qui nécessitent des conditions de stockage plus froides, ou pour la viande, le poulet ou le

poisson à consommer rapidement. Il n'est pas possible de stocker des fruits et des légumes dans ce tiroir.

## 8.5 bac à légumes avec contrôle d'humidité

Grâce à la fonction de bac à légumes à humidité contrôlée, l'humidité des légumes et des fruits est maîtrisée et les aliments restent frais plus longtemps.

Nous vous recommandons de placer les légumes à feuilles tels que la laitue, les épinards et les légumes similaires qui sont sensibles à la perte d'humidité dans le bac à légumes, non pas à la verticale sur leurs racines, mais le plus horizontalement possible.

Lorsque vous placez les légumes, placez les légumes lourds et durs en bas et les légumes légers et tendres en haut, en tenant compte du poids spécifique des légumes. Ne laissez jamais de légumes dans des sacs en plastique dans le bac à légumes. En les laissant dans des sacs en plastique, les légumes pourrissent en peu de temps. Dans les situations où le contact avec d'autres légumes n'est pas privilégié, utilisez des matériaux d'emballage tels que le papier qui présente un certain niveau de porosité en termes d'hygiène.

Il ne faut pas mettre les fruits qui ont une forte production de gaz d'éthylène comme la poire, l'abricot, la pêche et surtout la pomme dans le même bac à légumes avec d'autres fruits et légumes. Le gaz d'éthylène qui sort de ces fruits pourrait faire mûrir plus rapidement d'autres légumes et fruits et les faire pourrir dans un laps de temps plus court.

## 8.6 Raccordement de l'eau

(Cette caractéristique est en option)



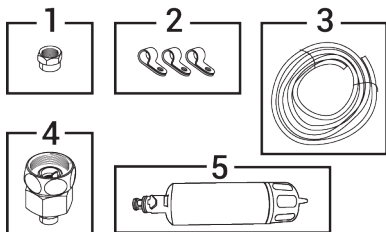
## AVERTISSEMENT

Le produit et la pompe, le cas échéant, doivent être débranchés pendant le raccordement.

Les raccordements au réseau, au filtre et à la bouteille de votre produit doivent être effectués par un centre de service agréé.

Selon le modèle, vous pouvez raccorder votre produit à une carafe ou directement au réseau d'eau. Pour établir cette connexion, vous devez d'abord raccorder le tuyau d'eau à l'appareil.

En fonction du modèle de votre produit, vérifiez si les éléments suivants sont inclus dans la livraison :

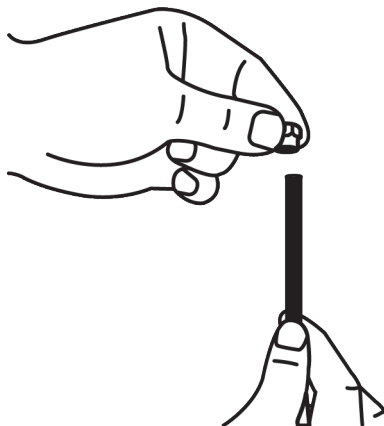
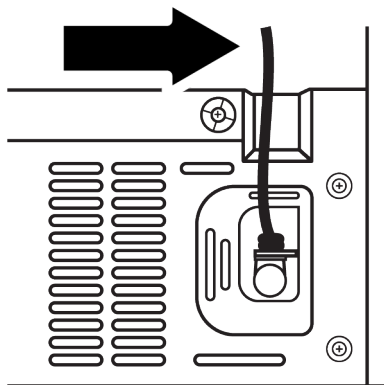


1. Connecteur (1 pièce) : Pour fixer le tuyau d'eau à l'arrière de l'appareil.
2. Attache pour tuyau (3 pièces) : Sert à fixer le tuyau d'eau au mur.
3. Tuyau d'eau (1 pièce, 5 mètres de diamètre, 1/4 po) : Utilisé pour réaliser des raccordements d'eau.
4. Adaptateur de robinet (1 pièce) : Pour le raccordement à la conduite d'eau froide avec filtre poreux.
5. Filtre à eau (1 pièce en option) : Il sert à raccorder l'eau du robinet au produit. S'il y a un raccordement pour la bonbonne, il n'est pas nécessaire d'utiliser un filtre à eau.

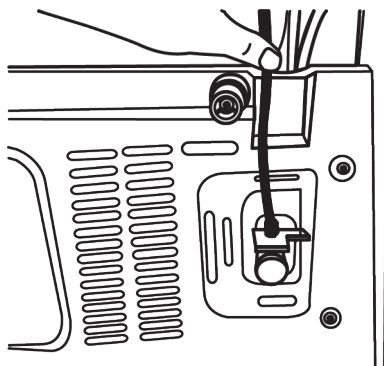
### Raccordement du tuyau d'eau au produit

Suivez les instructions ci-dessous pour raccorder le tuyau d'eau à l'appareil.

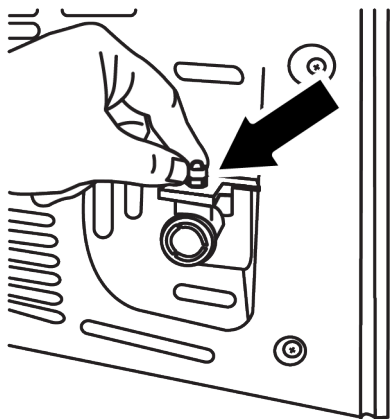
1. Retirez le raccord de l'adaptateur de tuyau qui se trouve à l'arrière de l'appareil et vissez le raccord sur le tuyau d'eau.



2. Fixez le tuyau d'eau à l'adaptateur de tuyau en le poussant fermement vers le bas.



3. Sécurisez le raccord à vis de l'adaptateur de raccord de tuyau en le serrant à la main. Vous pouvez serrer le raccord à l'aide d'une clé à tube ou d'une pince.

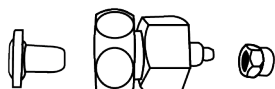


### Raccordement au réseau d'eau

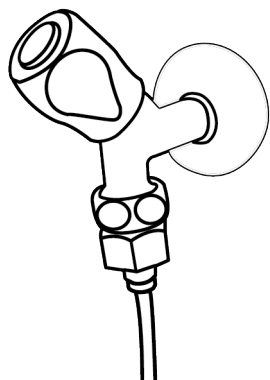
(Cette caractéristique est en option)

Si vous souhaitez utiliser le produit en le raccordant à la conduite d'eau froide, vous devez raccorder un robinet standard de 1/2" au réseau d'eau froide de votre maison. Si cette armature n'est pas disponible et que vous n'êtes pas sûr(e), contactez un plombier qualifié.

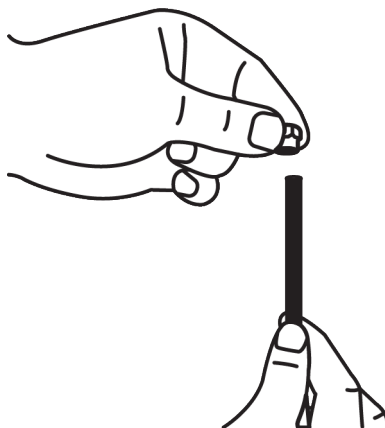
1. Détachez le raccord de l'adaptateur de robinet.



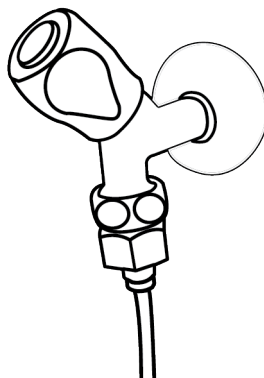
2. Raccordez l'adaptateur de robinet à la vanne de la conduite principale.



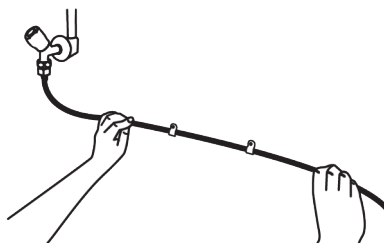
3. Vissez le raccord sur le tuyau d'eau.



4. Vissez le raccord sur l'adaptateur de robinet et serrez-le à la main ou avec un outil.



5. Fixez le tuyau d'eau aux endroits appropriés à l'aide des clips fournis pour éviter qu'il ne s'abîme, ne glisse ou ne se détache par inadvertance.







### AVERTISSEMENT

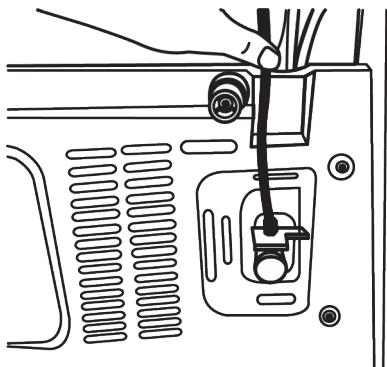
Après avoir ouvert le robinet, assurez-vous qu'il n'y a pas de fuite d'eau aux deux points de raccordement du tuyau d'eau. En cas de fuite, fermez immédiatement la vanne et serrez tous les raccords à l'aide d'une clé à tube ou d'une pince.

### Pour les produits utilisés dans des récipients en verre ;

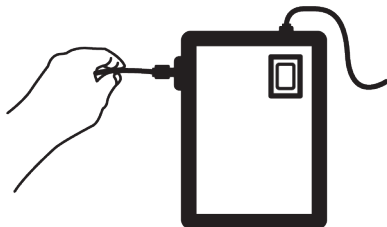
(Cette caractéristique est en option)

Pour raccorder l'eau de la bouteille au produit, il faut utiliser la pompe à eau recommandée par le service après-vente agréé. Pour raccorder l'eau de la bouteille au produit, il faut utiliser la pompe à eau recommandée par le service après-vente agréé.

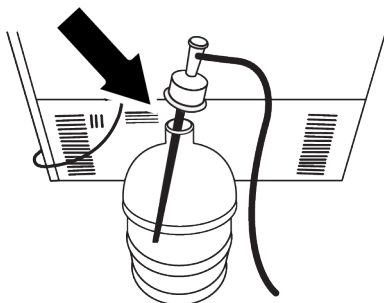
- Après avoir raccordé une extrémité du tuyau d'eau de la pompe au produit, suivez les instructions ci-dessous.



- Établissez la connexion en insérant l'autre extrémité du tuyau d'eau dans l'entrée du tuyau d'eau de la pompe.



- Fixez le tuyau de la pompe en l'insérant dans le récipient.



- Après avoir branché la pompe, branchez-la sur la prise de courant et démarrez la pompe.



Après avoir démarré la pompe, attendez 2 à 3 minutes qu'elle atteigne la puissance souhaitée.



Lors de l'établissement du raccordement à l'eau, respectez le mode d'emploi de la pompe.



Si vous utilisez une bouteille à panier, vous n'avez pas besoin d'utiliser un filtre à eau.

### Filtre à eau

(Cette caractéristique est en option)

Selon le modèle, votre appareil peut être équipé d'un filtre externe ou interne. Pour fixer le filtre à eau, suivez les instructions ci-dessous.

### Montage du filtre extérieur sur le mur

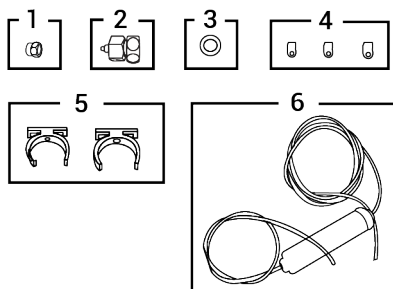
(Cette caractéristique est en option)



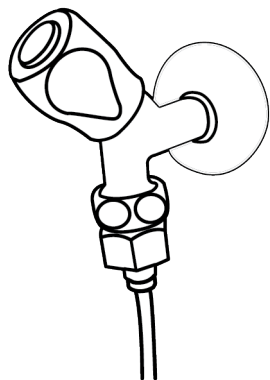
### AVERTISSEMENT

Ne fixez pas le filtre sur le réfrigérateur.

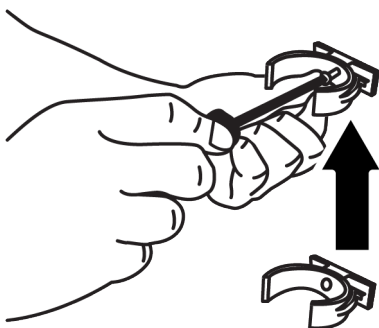
En fonction du modèle de votre produit, vérifiez si les éléments suivants sont inclus dans la livraison :



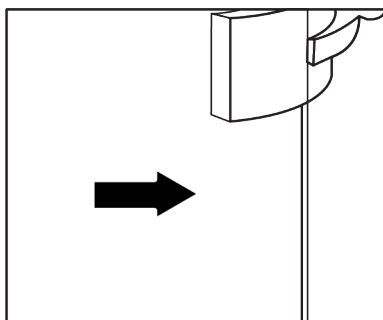
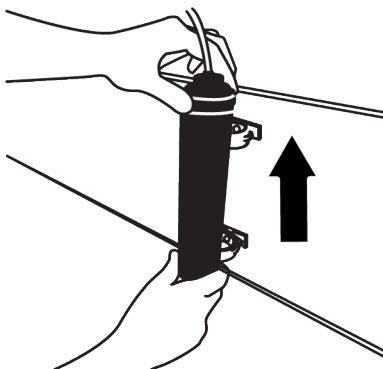
1. Connecteur (1 pièce) : Pour fixer le tuyau d'eau à l'arrière de l'appareil.
2. Adaptateur de robinet (1 pièce) : Pour le raccordement à la conduite d'eau froide.
3. Filtre poreux ( 1 pièce )
4. Attache pour tuyau (3 pièces) : Sert à fixer le tuyau d'eau au mur.
5. Dispositif de raccordement du filtre ( 2 pièces ) : Sert à fixer le filtre au mur.
6. Filtre à eau (1 pièce) : Il sert à raccorder l'eau du robinet au produit. S'il y a un raccordement pour la bonbonne, il n'est pas nécessaire d'utiliser un filtre à eau.
7. Raccordez l'adaptateur de robinet à la vanne de la conduite principale.
8. Déterminez l'endroit où le filtre extérieur doit être fixé. Fixer le dispositif de raccordement du filtre ( 5 ) sur le mur.
9. Fixez le filtre verticalement sur le support de filtre, comme indiqué sur l'étiquette. ( 6 ).



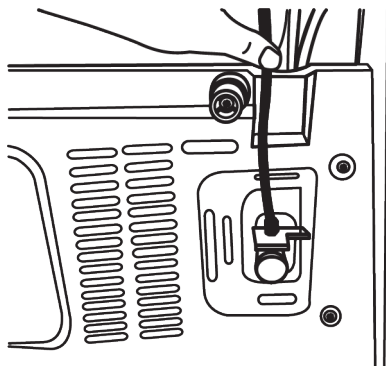
10. Raccordez le tuyau d'eau qui sort du filtre par le haut à l'adaptateur de raccordement à l'eau de l'appareil.



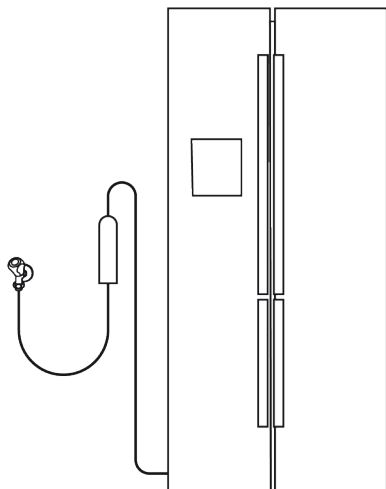
11. Une fois le raccordement terminé, l'image devrait ressembler à celle ci-dessous.



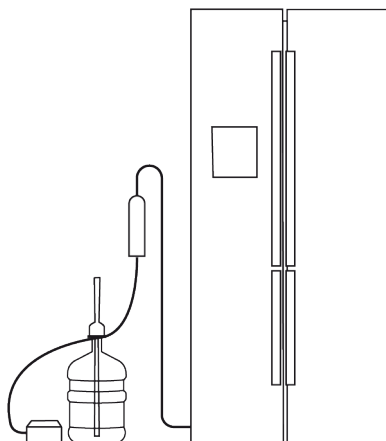
Le filtre interne n'étant pas fourni avec l'appareil, vous devez le préparer comme suit :



Conduite d'eau



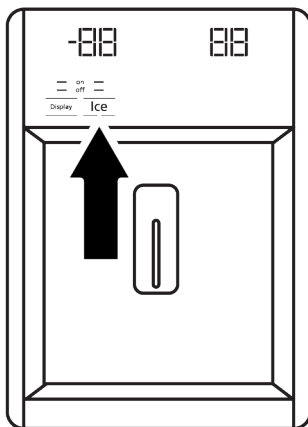
Conduite de la bonbonne :



**i** Ne pas utiliser les 10 premiers verres d'eau après avoir branché le filtre.

FR

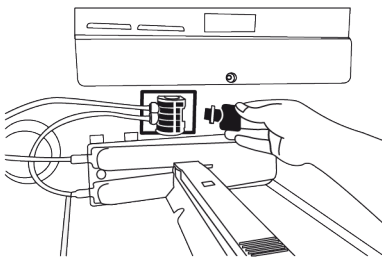
1. Lors de l'installation du filtre, l'affichage « **Glace éteinte** » doit être actif. Le passage de l'affichage ON à OFF sur l'écran se fait en appuyant sur la touche « **glace** » .



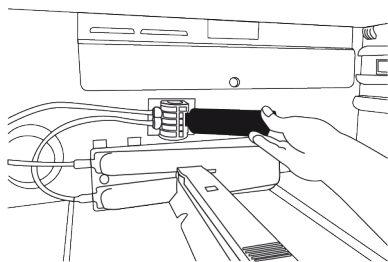
2. Retirez le bac à légumes pour accéder au filtre à eau.
3. Retirez le couvercle de dérivation du filtre à eau en le tirant vers vous.

**i** Il est normal que quelques gouttes d'eau sortent après avoir retiré le couvercle.

4. Insérez le couvercle du filtre à eau dans le mécanisme et poussez-le vers l'avant pour le verrouiller.



5. Quittez le mode « **Glace désactivée** » en appuyant à nouveau sur le bouton « **Glacé** » de l'écran.



**i** Le filtre à eau élimine certaines particules étrangères de l'eau. Il ne nettoie pas l'eau des micro-organismes.

## 9 Entretien et nettoyage

Lisez d'abord les « Consignes de sécurité » !

Avant de nettoyer votre appareil, débranchez-le ou mettez hors tension le fusible auquel il est raccordé.

Ne placez pas vos mains, vos pieds ou des objets métalliques sous le réfrigérateur ou entre le réfrigérateur et le sol, pour quelque raison que ce soit. Il peut se coincer ou des bords tranchants peuvent provoquer des blessures.

- N'utilisez pas des objets pointus ou des produits de nettoyage abrasifs pour nettoyer l'appareil. Il ne faut pas utiliser de matériaux tels que des produits d'entretien ménager, du savon, des détergents, du gaz, de l'essence, un diluant, de l'alcool, de la cire, etc.
- La poussière doit être enlevée de la grille de ventilation située à l'arrière du produit au moins une fois par an (sans ouvrir le couvercle). Nettoyez l'appareil avec un chiffon humide.

### **Pour des appareils dotés d'un distributeur d'eau/machine à glaçons,**

- Dans le cas où l'eau du réservoir a attendu 2 à 3 semaines, elle doit être remplacée.
- Le réservoir d'eau et les composants de la fontaine à eau ne doivent pas être lavés au lave-vaisselle.

- Faites fondre une cuillère à café de carbonate dans un demi-litre d'eau. Trempez un morceau de tissu dans cette eau et essorez-le. Nettoyez soigneusement l'appareil avec ce chiffon et ensuite avec un chiffon sec.
- Veillez à ce que l'eau n'entre pas en contact avec le couvercle de la lampe, le verre de l'éclairage LED, les orifices d'aération ou d'autres pièces électriques. Risque d'électrocution et de court-circuit !
- N'ouvrez pas les parties sous tension (couvercle de la carte de commande, couvercle arrière du compresseur, le cas échéant, etc.) sans la présence d'une personne autorisée et n'effectuez pas de nettoyage, d'entretien ou de réparation à cet endroit. Si votre produit n'a pas de couvercle dans la section du compresseur, ne touchez pas cette zone avec vos mains ou avec un objet quelconque. Risque de choc électrique et de blessure !
- Nettoyez la porte avec un chiffon humide. Retirez les grilles de la porte et de la caisse, ainsi que tout le contenu du réfrigérateur. Retirez les supports de porte en les soulevant vers le haut. Nettoyez et séchez les étagères, puis refixez-les en les faisant glisser à partir du haut.

- N'utilisez pas d'eau chlorée ou de produits de nettoyage sur la surface extérieure et les pièces chromées de l'appareil. Le chlore entraîne la corrosion de ce type de surfaces métalliques.
- Ne placez pas vos mains, vos pieds ou des objets métalliques sous le réfrigérateur. Il peut se coincer ou des bords tranchants peuvent provoquer des blessures.
- Il ne faut pas utiliser d'outils tranchants et abrasifs, de savon, de produits d'entretien ménager, de détergents, de gaz, d'essence, de vernis et de substances similaires pour empêcher la déformation de la pièce en plastique et l'élimination des empreintes sur la pièce. Utilisez de l'eau chaude et un chiffon doux pour le nettoyage, puis séchez-le.

#### **Sur les produits sans fonction « No-Frost »,**

- des gouttelettes d'eau et un givre pouvant atteindre l'épaisseur d'un doigt peuvent se former sur la paroi arrière du compartiment congélateur. Ne nettoyez pas et n'appliquez jamais d'huiles ou de produits similaires.
- Utilisez un chiffon en microfibres légèrement humidifié pour nettoyer la surface extérieure du produit. Les éponges et autres types de vêtements de nettoyage peuvent provoquer des éraflures.
- Afin de nettoyer tous les composants amovibles pendant le nettoyage de la surface intérieure du produit, il faut laver ces composants avec une solution douce composée de savon, d'eau et de carbonate. Lavez et séchez soigneusement. Évitez le contact de l'eau avec les composants d'éclairage et le panneau de contrôle.
- Veillez à ce que l'eau n'entre pas en contact avec le couvercle de la lampe et les autres pièces électriques.
- Nettoyez la porte avec un chiffon humide. Retirez tout le contenu pour enlever la porte et les supports de carrosserie. Retirez les supports de porte en les sou-

levant vers le haut. Nettoyez et séchez les étagères, puis refixez-les en les faisant glisser à partir du haut.

- N'utilisez pas d'eau chlorée ou de produits de nettoyage sur la surface extérieure et les pièces chromées de l'appareil. Le chlore entraîne la corrosion de ce type de surfaces métalliques.
- Il ne faut pas utiliser d'outils tranchants et abrasifs, de savon, de produits d'entretien ménager, de détergents, de gaz, d'essence, de vernis et de substances similaires pour empêcher la déformation de la pièce en plastique et l'élimination des empreintes sur la pièce. Utilisez de l'eau chaude et un chiffon doux pour le nettoyage, puis séchez-le.
- Sur les produits sans fonction antigel, des gouttes d'eau et du givre jusqu'à l'épaisseur d'un doigt peuvent apparaître sur la paroi arrière du compartiment congélateur. Ne nettoyez pas et n'appliquez jamais d'huiles ou de produits similaires.
- Utilisez un chiffon en microfibres légèrement humidifié pour nettoyer la surface extérieure du produit. Les éponges et autres types de vêtements de nettoyage peuvent provoquer des éraflures.
- Afin de nettoyer tous les composants amovibles pendant le nettoyage de la surface intérieure du produit, il faut laver ces composants avec une solution douce composée de savon, d'eau et de carbonate. Lavez et séchez soigneusement. Évitez le contact de l'eau avec les composants d'éclairage et le panneau de contrôle.
- N'utilisez pas de vinaigre, d'alcool à friction ni de produits nettoyants à base d'alcool sur les surfaces intérieures.

#### **Surfaces extérieures en acier inoxydable**

Utilisez un produit de nettoyage non abrasif pour l'acier inoxydable et appliquez-le avec un chiffon doux non pelucheux. Pour polir, essuyez doucement la surface avec un

chiffon en microfibres humidifié à l'eau et utilisez une peau de chamois sèche. Suivez toujours les veines de l'acier inoxydable.

### **Prévention des odeurs**

À sa sortie d'usine, cet appareil ne contient aucun matériau odorant. Toutefois, le stockage inapproprié des aliments et le nettoyage incorrect des surfaces internes peuvent être à l'origine d'odeurs.

- Pour éviter cela, nettoyez l'intérieur à l'aide de carbonate dissout dans l'eau tous les 15 jours.

## **10 Dépannage**

Lisez d'abord les « Consignes de sécurité » !

Vérifiez la liste suivante avant de contacter le service après-vente. Cela devrait vous éviter de perdre du temps et de l'argent. Cette liste répertorie les plaintes fréquentes ne provenant pas de vices de fabrication ou des défauts de pièces. Certaines fonctionnalités mentionnées dans ce manuel peuvent ne pas exister sur votre modèle. Si le problème persiste même après observation des instructions contenues dans cette partie, contactez votre fournisseur ou un service de maintenance agréé. N'essayez pas de réparer vous-même l'appareil.

### **Le réfrigérateur ne fonctionne pas.**

- La fiche électrique n'est pas correctement insérée. >>> Branchez-la en l'enfonçant complètement dans la prise.
- Le fusible branché à la prise qui alimente l'appareil ou le fusible principal est grillé. >>> Vérifiez les fusibles.

### **Condensation sur la paroi latérale du congélateur (MULTI ZONE, COOL, CONTROL et FLEXI ZONE).**

- La porte a été ouverte trop fréquemment >>> Évitez d'ouvrir trop fréquemment la porte de l'appareil.
- L'environnement est trop humide. >>> N'installez pas l'appareil dans des endroits humides.

- Conservez les aliments dans des récipients scellés, car les micro-organismes provenant des aliments conservés dans des récipients non scellés provoquent une mauvaise odeur.
- Ne conservez pas d'aliments périmés ou avariés dans le réfrigérateur.

### **Protection des surfaces en plastique**

Si de l'huile se répand sur les surfaces en plastique, il faut immédiatement les nettoyer avec de l'eau tiède, sinon elles seront endommagées.

- Les aliments contenant des liquides sont conservés dans des récipients non fermés. >>> Conservez ces aliments dans des emballages scellés.
- La porte de l'appareil est restée ouverte. >>> Ne laissez pas la porte de l'appareil ouverte longtemps.
- Le thermostat est réglé sur une température très froide. >>> Réglez le thermostat à la température appropriée.

### **Le compresseur ne fonctionne pas.**

- En cas de coupure soudaine de courant ou de débranchement intempestif, la pression du gaz dans le système de réfrigération de l'appareil n'est pas équilibrée, ce qui déclenche la fonction de conservation thermique du compresseur. L'appareil se remet en marche au bout de 6 minutes environ. Dans le cas contraire, veuillez contacter le service de maintenance.
- Le dégivrage est actif. >>> Ce processus est normal pour un appareil à dégivrage complètement automatique. Le dégivrage se déclenche périodiquement.
- L'appareil n'est pas branché. >>> Vérifiez que le cordon d'alimentation est branché.
- Le réglage de la température est incorrect. >>> Sélectionnez le réglage de température approprié.
- Absence d'énergie électrique. >>> L'appareil continuera à fonctionner normalement une fois le courant rétabli.

### **Le bruit du réfrigérateur en fonctionnement s'accroît pendant son utilisation.**

- Le rendement de l'appareil en fonctionnement peut varier en fonction des fluctuations de la température ambiante. Ceci est normal et ne constitue pas un dysfonctionnement.

### **Le réfrigérateur fonctionne fréquemment ou pendant de longues périodes.**

- Il se peut que le nouvel appareil soit plus grand que l'ancien. Les appareils plus grands fonctionnent plus longtemps.
- La température de la pièce est peut-être trop élevée. >>> Il est normal que l'appareil fonctionne plus longtemps quand la température de la pièce est élevée.
- L'appareil vient peut-être d'être branché ou chargé de nouvelles denrées alimentaires. >>> L'appareil met plus longtemps à atteindre la température réglée s'il vient d'être branché ou récemment rempli de denrées. C'est normal.
- Il est possible que des quantités importantes d'aliments chauds aient été récemment placées dans l'appareil. >>> Ne mettez pas d'aliments chauds à l'intérieur de l'appareil.
- Les portes étaient ouvertes fréquemment ou sont restées longtemps ouvertes. >>> L'air chaud qui se déplace à l'intérieur permet à l'appareil de fonctionner plus longtemps. N'ouvrez pas les portes trop fréquemment.
- Il est possible que la porte du congélateur soit entrouverte. >>> Vérifiez que les portes sont complètement fermées.
- L'appareil peut être réglé à une température trop basse. >>> Réglez la température à un degré supérieur et attendez que l'appareil atteigne la nouvelle température.
- Le joint de la porte du congélateur peut être sale, usé, cassé, ou mal positionné. >>> Nettoyez ou remplacez le joint d'étanchéité. Si le joint du congélateur est endommagé ou arraché, l'appareil prendra plus longtemps à conserver la température actuelle.

### **La température du congélateur est très basse, alors que celle du réfrigérateur est appropriée.**

- La température du compartiment congélateur est très basse. >>> Réglez la température du compartiment congélateur à un degré supérieur et vérifiez à nouveau.

### **La température du réfrigérateur est très basse, alors que celle du congélateur est appropriée.**

- La température du compartiment réfrigérateur est très basse. >>> Réglez la température du compartiment de refroidissement à un degré supérieur et vérifiez à nouveau.

### **Les aliments conservés dans le compartiment réfrigérateur sont congelés.**

- La température du compartiment réfrigérateur est très basse. >>> Réglez la température du compartiment de refroidissement à un degré supérieur et vérifiez à nouveau.

### **La température du compartiment réfrigérateur ou congélateur est très élevée.**

- La température du compartiment réfrigérateur est réglée à un degré très élevé. >>> Le réglage de la température du compartiment réfrigérateur a une incidence sur la température du compartiment congélateur. Attendez jusqu'à ce que la température des pièces correspondantes atteigne le niveau d'efficacité requis en changeant la température des compartiments réfrigérateur ou congélateur.
- Les portes étaient ouvertes fréquemment ou sont restées longtemps ouvertes. >>> N'ouvrez pas les portes trop fréquemment.
- La porte peut être entrouverte. >>> Fermez complètement la porte.
- L'appareil vient peut-être d'être branché ou chargé de nouvelles denrées alimentaires. >>> Cela est normal. L'appareil met plus longtemps à atteindre la température réglée s'il vient d'être branché ou récemment rempli de denrées.

- Il est possible que des quantités importantes d'aliments chauds aient été récemment placées dans l'appareil. >>> Ne mettez pas d'aliments chauds à l'intérieur de l'appareil.

#### **En cas de vibrations ou de bruits.**

- La surface n'est pas plate ou durable >>> Si l'appareil balance lorsqu'il est déplacé doucement, ajustez les supports afin de le remettre en équilibre. Assurez-vous également que le sol est assez solide pour supporter l'appareil.
- Les éléments placés sur l'appareil peuvent être à l'origine du bruit. >>> Retirez tous les éléments placés sur l'appareil.
- L'appareil émet un bruit d'écoulement de liquide ou de pulvérisation, etc.
- Les principes de fonctionnement de l'appareil impliquent des écoulements de liquides et des émissions de gaz. >>> Ceci est normal et ne constitue pas un dysfonctionnement.

#### **L'appareil émet un sifflement.**

- L'appareil effectue le refroidissement à l'aide d'un ventilateur. Ceci est normal et ne constitue pas un dysfonctionnement.

#### **Il y a de la condensation sur les parois internes de l'appareil.**

- Un climat chaud ou humide accélère le processus de givrage et de condensation. Ceci est normal et ne constitue pas un dysfonctionnement.
- Les portes étaient ouvertes fréquemment ou sont restées longtemps ouvertes. >>> N'ouvrez pas les portes trop fréquemment ; fermez-les lorsqu'elles sont ouvertes.
- La porte peut être entrouverte. >>> Fermez complètement la porte.

#### **Il y a de la condensation sur les parois externes ou entre les portes de l'appareil.**

- Il se peut que le climat ambiant soit humide, auquel cas cela est normal. >>> La condensation se dissipera lorsque l'humidité sera réduite.

#### **Présence d'une odeur désagréable dans l'appareil.**

- L'appareil n'est pas nettoyé régulièrement. >>> Nettoyez régulièrement l'intérieur à l'aide d'une éponge, de l'eau tiède et du carbonate dissout dans l'eau.
- Certains récipients et matériaux d'emballage sont peut-être à l'origine des mauvaises odeurs. >>> Utilisez des récipients et des emballages exempts de toute odeur.
- Les aliments étaient placés dans des récipients ouverts. >>> Conservez les aliments dans des récipients fermés. Les micro-organismes peuvent se propager à partir de produits alimentaires non scellés et provoquer une mauvaise odeur.
- Retirez tous les aliments périmés ou avariés de l'appareil.

#### **La porte ne se ferme pas.**

- Les paquets d'aliments peuvent bloquer la porte. >>> Déplacez tout ce qui bloque les portes.
- L'appareil ne se tient pas parfaitement droit sur le sol. >>> Ajustez les supports afin de remettre l'appareil en équilibre.
- La surface n'est pas plane ou durable >>> Assurez-vous que la surface est plane et suffisamment durable pour supporter le produit.

#### **Le bac à légumes est bloqué.**

- Il est possible que les aliments soient en contact avec la section supérieure du bac. >>> Reclassez les aliments dans le bac.

#### **Température à la surface de l'appareil.**

- Une température élevée peut être observée entre deux portes, sur les panneaux latéraux et sur la zone du gril arrière lorsque votre appareil est utilisé. C'est normal et cela ne nécessite pas d'entretien.

#### **Le ventilateur continue de fonctionner lorsque la porte est ouverte.**

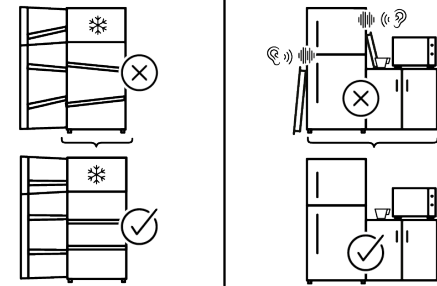
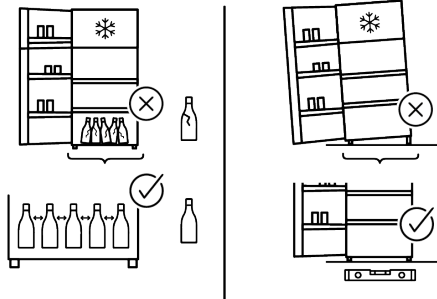
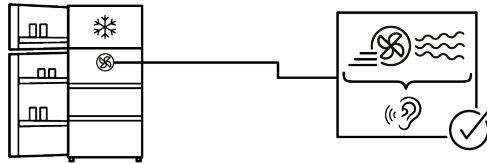
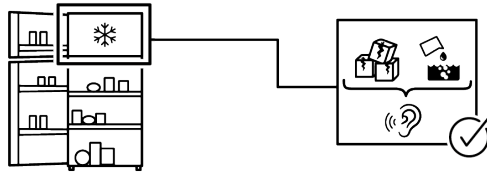
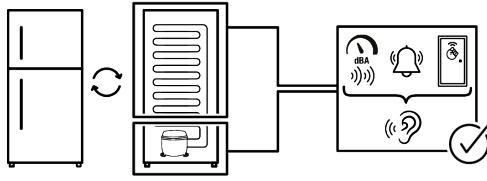
- Le ventilateur peut continuer à fonctionner lorsque la porte du congélateur est ouverte.



Si le problème persiste même après observation des instructions contenues dans cette partie, contactez votre fournisseur ou

un service de maintenance agréé. N'essayez pas de réparer vous-même l'appareil. C'est normal.

FR



## CLAUSE DE NON-RESPONSABILITÉ

Certaines défaillances (simples) peuvent être traitées de manière adéquate par l'utilisateur final sans qu'aucun problème de sécurité ou d'utilisation dangereuse ne survienne, à condition qu'elles soient effectuées dans les limites et conformément aux instructions suivantes (voir la section « Auto-réparation »).

Par conséquent, sauf autorisation contraire dans la section « Auto-réparation » ci-dessous, adressez-vous à des réparateurs professionnels agréés pour toutes réparations afin d'éviter des problèmes de sécurité. Un réparateur professionnel agréé est une personne à qui le fabricant a donné accès aux instructions et à la liste des pièces détachées de ce produit selon les méthodes décrites dans les actes législatifs en application de la directive 2009/125/CE

**Toutefois, seul l'agent de service (c'est-à-dire les réparateurs professionnels agréés) que vous pouvez joindre au numéro de téléphone indiqué dans le manuel d'utilisation/la carte de garantie ou par l'intermédiaire de votre fournisseur agréé peut fournir un service conformément aux conditions de garantie. Par conséquent, veuillez noter que les réparations effectuées par des réparateurs professionnels (qui ne sont pas autorisés par) Whirlpool Marka annulent la garantie.**

### Auto-réparation

L'auto-réparation peut être effectuée par l'utilisateur final en ce qui concerne les pièces de rechange suivantes : poignées de porte, charnières de porte, plateaux, paniers et joints de porte (une liste mise à jour est également disponible sur <https://parts-selfservice.europeanappliances.com> à partir du 1er mars 2021).

En outre, pour garantir la sécurité du produit et éviter tout risque de blessure grave, ladite auto-réparation doit être effectuée en suivant les instructions du manuel d'utilisation pour l'auto-réparation ou celles disponibles sur <https://parts-selfservice.euro->

[europeanappliances.com](https://parts-selfservice.europeanappliances.com). Pour votre sécurité, débranchez le produit avant de procéder à toute auto-réparation.

Les réparations et tentatives de réparation par les utilisateurs finaux pour des pièces ne figurant pas dans cette liste et/ou ne suivant pas les instructions des manuels d'utilisation pour l'auto-réparation ou celles disponibles sur <https://parts-selfservice.europeanappliances.com>, pourraient donner lieu à des problèmes de sécurité non imputables à Whirlpool, et annuleront la garantie du produit.

Il est donc fortement recommandé aux utilisateurs finaux de s'abstenir de tenter d'effectuer des réparations ne figurant pas sur la liste des pièces de rechange mentionnée, mais de contacter dans de tels cas des réparateurs professionnels autorisés ou des réparateurs professionnels agréés. Au contraire, de telles tentatives de la part des utilisateurs finaux peuvent causer des problèmes de sécurité et endommager le produit et, par la suite, provoquer un incendie, une inondation, une électrocution et des blessures corporelles graves.

À titre d'exemple, mais sans s'y limiter, vous devez vous adresser à des réparateurs professionnels autorisés ou à des réparateurs professionnels agréés pour les réparations suivantes : compresseur, circuit de refroidissement, carte mère, carte d'inverseur, panneau d'affichage, etc.

Le fabricant/vendeur ne peut être tenu responsable dans tous les cas où les utilisateurs finaux ne se conforment pas à ce qui précède.

La disponibilité des pièces de rechange du réfrigérateur que vous avez acheté est de 10 ans. Pendant cette période, les pièces de rechange d'origine seront disponibles pour faire fonctionner le réfrigérateur correctement.

La durée minimale de garantie du réfrigérateur que vous avez acheté est de 24 mois. Cet appareil est équipé d'une source d'éclairage de classe énergétique « G ».

La source d'éclairage de cet appareil ne doit être remplacée que par des réparateurs professionnels.



Voir également

## 2 CLAUSE DE NON-RESPONSABILITÉ

[ ] 60]



## Cortesemente leggi prima questo manuale!

**Gentile Cliente,**

Ti ringraziamo per aver scelto questo prodotto .

Registrare i prodotti su [www.register10.eu](http://www.register10.eu)





Vorremmo che il prodotto, che è stato realizzato con la tecnologia più avanzata, ti possa offrire l'efficienza ottimale. Per questo, prima di utilizzare il prodotto leggere attentamente questo manuale e qualsiasi altra documentazione fornita.

Presta particolare attenzione alle informazioni e alle avvertenze contenute nel manuale utente. In questo modo proteggerai te stesso e il tuo prodotto da possibili pericoli. Conserva il manuale utente. Se si dovesse trasferire il prodotto a qualcun altro, non dimenticare di includere questo manuale.

**Nel manuale d'uso e sul prodotto sono utilizzati i seguenti simboli:**



**Leggi il manuale utente.**

 <b>ENERG</b> 	Le informazioni sul modello memorizzate nella banca dati del prodotto possono essere ottenute entrando nel seguente sito web e cercando il proprio identificatore di modello (*) che si trova sull'etichetta energetica. <a href="https://eprel.ec.europa.eu/">https://eprel.ec.europa.eu/</a>
<b>SUPPLIER'S NAME</b> <b>MODEL IDENTIFIER → (*)</b>	
	



---

<b>1 Istruzioni relative all'ambiente .....</b>	<b>64</b>
1.1 Smaltimento dell'imballaggio .....	64
<b>2 Il vostro frigorifero .....</b>	<b>65</b>
<b>3 Installazione .....</b>	<b>66</b>
3.1 Collegamenti elettrici .....	68
<b>4 Preparazione .....</b>	<b>68</b>
4.1 Cosa fare per risparmiare energia	68
4.2 Primo utilizzo .....	69
4.3 Classe climatica e definizioni .....	69
<b>5 Funzionamento del prodotto .....</b>	<b>70</b>
<b>6 Pannello di controllo del prodotto ..</b>	<b>70</b>
<b>7 Uso dell'apparecchio .....</b>	<b>72</b>
7.1 Conservare il cibo nel congelato- re e nello scomparto frigorifero....	72
7.2 Sostituzione della lampada .....	75
7.3 Avviso di sportello aperto .....	75
<b>8 Caratteristiche del prodotto .....</b>	<b>75</b>
8.1 L'area di conservazione del ghiac- cio .....	75
8.2 Porta uova .....	77
8.3 Cassetto frutta e verdura .....	78
8.4 Area di conservazione a freddo dei prodotti lattiero-caseari .....	78
8.5 Crisper a umidità controllata .....	78
8.6 Collegamento all'acqua .....	78
<b>9 Manutenzione e pulizia .....</b>	<b>84</b>
<b>10 Guida alla risoluzione dei problemi.</b>	<b>86</b>

---

# 1 Istruzioni relative all'ambiente

---

## 1.1 Smaltimento dell'imballaggio

Il materiale di imballaggio è riciclabile al ed è contrassegnato dal simbolo del riciclo

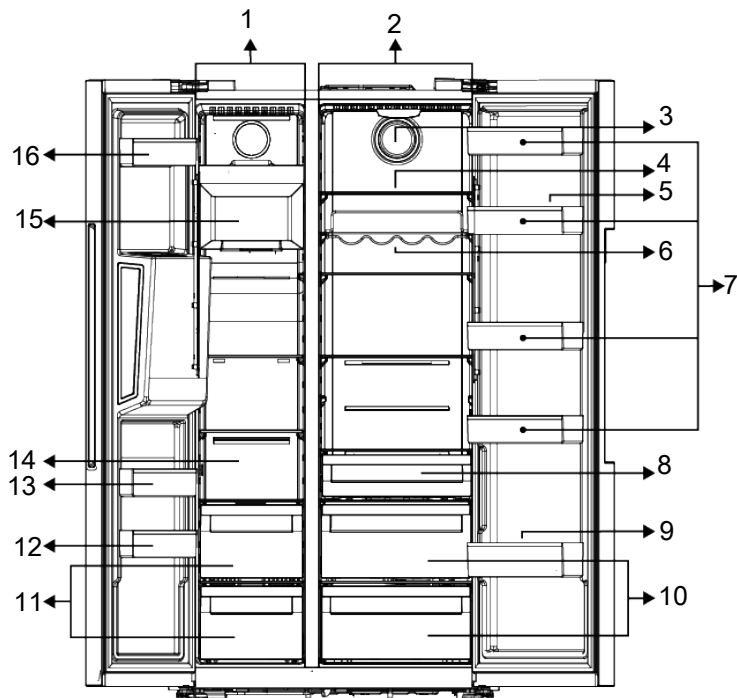


Le diverse parti dell'imballaggio devono quindi essere smaltite in modo responsabile e nel pieno rispetto delle norme delle autorità locali in materia di smaltimento dei rifiuti.



## 2 Il vostro frigorifero

IT



- |    |  |    |  |
|----|--|----|--|
| 1  | Scomparto congelatore                                | 2  | Scomparto raffreddatore  |
| 3  | Ventola  | 4  | * Ripiani in vetro dello scomparto raffreddatore               |
| 5  | Porta uova   | 6  | * Ripiano per bottiglie  |
| 7  | * Ripiani della porta dello scomparto raffreddatore  | 8  | * Cella per prodotti lattiero-caseari (conservazione a freddo) |
| 9  | * Ripiano per bottiglie                              | 10 | * Cassetti frutta e verdura                                    |
| 11 | Scomparti per la conservazione di alimenti congelati | 12 | * Ripiani della porta dello scomparto congelatore              |
| 13 | * Ripiani della porta dello scomparto congelatore    | 14 | Scomparti per alimenti congelati e ripiano in vetro            |
| 15 | *Macchina del ghiaccio                               | 16 | * Ripiani della porta dello scomparto congelatore              |

**\*Opzionale:** Le figure contenute in questo manuale d'uso sono schematiche, e potrebbero non corrispondere esattamente al pro-

dotto. Qualora il prodotto non contenga le parti descritte, l'informazione riguarda altri modelli.

### 3 Installazione

#### Luogo idoneo per l'installazione

Leggere prima la sezione "Istruzioni di sicurezza"!

Rivolgersi al Servizio Autorizzato per l'installazione del prodotto. Per preparare il prodotto all'installazione, consultare le informazioni contenute nel manuale utente e accertarsi che le utenze elettriche e idriche siano conformi a quanto necessario. In caso contrario, chiamare un elettricista e un idraulico per sistemare le utenze come necessario.

- I cavi di alimentazione danneggiati vanno sostituiti dal servizio autorizzato.
- Quando vengono posizionati due frigoriferi l'uno a fianco dell'altro, lasciare una distanza di almeno 4 cm fra le due unità.
- Tenere il prodotto lontano dalla luce solare diretta ed in un luogo asciutto.
- Il prodotto necessita di adeguata ventilazione per un funzionamento efficiente. Se in prodotto viene collocato in una nicchia, lasciare almeno 5 cm di spazio tra il prodotto, il soffitto, le pareti laterali e la parete posteriore. Controllare se il componente di protezione della parete posteriore è presente e nel suo alloggio (se fornito con il prodotto). Se il componente non è disponibile, o se è stato smarrito o è caduto, posizionare il prodotto in modo tale da lasciare almeno 5 cm di spazio libero tra il retro del prodotto e le pareti del locale. Lo spazio libero nella parte posteriore è importante per il funzionamento efficiente del prodotto.
- Qualora l'apertura dello sportello fosse troppo stretta per consentire il passaggio del prodotto, togliere lo sportello e ruotarlo; qualora ciò non funzioni, contattare l'assistenza autorizzata.
- Per evitare vibrazioni, posizionare il prodotto su una superficie piana
- Collocare il prodotto ad almeno 30 cm dal termosifone, dalla stufa e da altre fonti di calore e ad almeno 5 cm da eventuali forni elettrici.

- Non esporre il prodotto alla luce solare diretta e non conservare in ambienti umidi.
- Prima del trasporto o l'uso, non aprire mai il coperchio della scheda di controllo sul prodotto. Pericolo di scosse elettriche e incendi!
- La nostra azienda non si assume alcuna responsabilità per gli eventuali danni dovuti ad un uso senza messa a terra e collegamento elettrico non conforme alle normative nazionali.
- Il cavo di corrente deve essere facilmente accessibile dopo l'installazione.

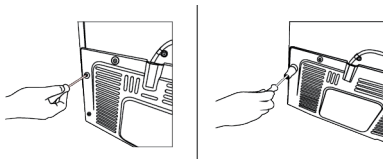
#### Avvertenza: superficie calda!

Le pareti laterali del prodotto sono dotate di tubi di raffreddamento per migliorare il sistema generale di raffreddamento. L'elevata pressione del fluido potrebbe fluire attraverso queste superfici, causando il riscaldamento eccessivo delle superfici sulle pareti laterali. Ciò è normale e non richiede interventi di manutenzione. Fare attenzione quando si toccano queste aree.

#### Fissaggio dei cunei in plastica

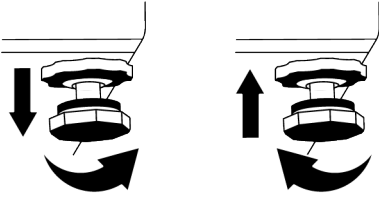
Per garantire una circolazione d'aria sufficiente fra il prodotto e la parete, servirsi dei cunei in plastica forniti in dotazione con il prodotto.

- Rimuovere le viti sul prodotto e montare le viti fornite in dotazione con i cunei.
- Fissare 2 cunei in plastica sul coperchio della ventilazione, come indicato nella figura.

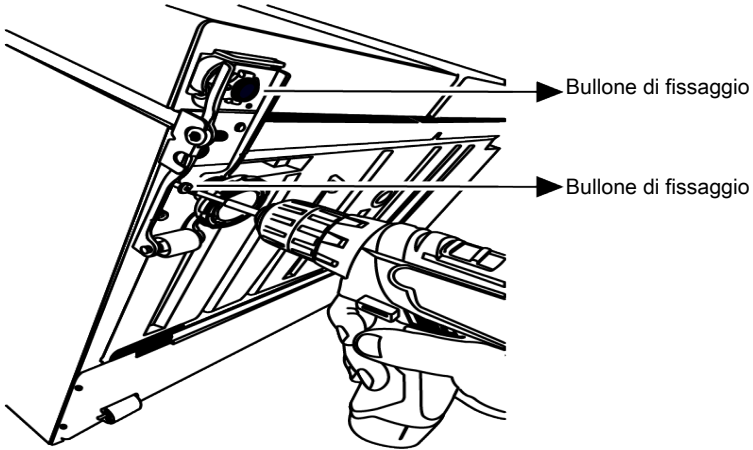


#### Regolazione delle gambe

Qualora il prodotto non fosse in equilibrio, regolare i supporti anteriori regolabili, ruotandoli verso destra o verso sinistra.

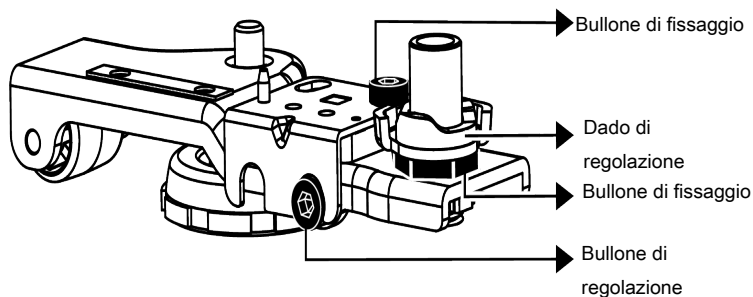


**Per regolare gli sportelli in verticale,**  
Allentare il dado di fissaggio che si trova sulla parte inferiore. Avvitare il dado di regolazione (SENSO ORARIO/SENSO ANTIO-  
RARIO) in base alla posizione della porta. Serrare il bullone dado di fissaggio per la posizione finale.



**Per regolare gli sportelli in orizzontale,**  
Allentare la vite di fissaggio in basso Allentare il dado di fissaggio sulla parte superiore. Avvitare il bullone di regolazione (SEN-

SO ORARIO/SENSO ANTIO-  
RARIO) sul lato in base alla posizione della porta. Serrare il bullone di fissaggio in alto per la posizione finale Serrare la vite di fissaggio sulla parte inferiore



### 3.1 Collegamenti elettrici



**AVVERTENZA:** Non usare prolunghie o multi prese per il collegamento elettrico.



**AVVERTENZA:** I cavi di alimentazione danneggiati vanno sostituiti dal servizio autorizzato.



**Avvertenza: superficie calda!**  
Le pareti laterali del prodotto sono dotate di tubi di raffreddamento per migliorare il sistema generale di raffreddamento. L'elevata pressione del fluido potrebbe fluire attraverso queste superfici, causando il riscaldamento eccessivo delle superfici sulle pareti laterali. Ciò è normale e non richiede interventi di manutenzione. Fare attenzione quando si toccano queste aree.



Prima del trasporto o l'uso, non aprire mai il coperchio della scheda di controllo sul prodotto. Pericolo di scosse elettriche e incendi!  
La nostra azienda non si assume alcuna responsabilità per gli eventuali danni dovuti ad un uso senza messa a terra e collegamento elettrico non conforme alle normative nazionali.  
Il cavo di corrente deve essere facilmente accessibile dopo l'installazione.

## 4 Preparazione

Leggere prima la sezione "Istruzioni di sicurezza"!

### 4.1 Cosa fare per risparmiare energia

- Questo apparecchio refrigerante non è destinato ad essere utilizzato come apparecchio da incasso.
- Quando si caricano gli alimenti, lasciare uno spazio sufficiente all'interno del frigorifero per consentire una circolazione d'aria sufficiente per il raffreddamento.
- L'aria calda e umida, non penetrando direttamente nel prodotto quando le porte non sono aperte, permetterà al prodotto di ottimizzare la funzione di protezione degli alimenti. In queste circostanze, funzioni e componenti come il compressore,

la ventola, il riscaldatore, lo sbrinamento, l'illuminazione, il display e così via funzioneranno in base alle esigenze di consumo minimo di energia.

- Nel caso in cui siano presenti più opzioni, i ripiani in vetro devono essere posizionati in modo da non bloccare le uscite d'aria sulla parete posteriore e, preferibilmente, in modo che le uscite d'aria rimangano al di sotto del ripiano in vetro. Questa combinazione potrebbe aiutare a migliorare la distribuzione dell'aria e l'efficienza energetica.
- Per la conservazione, si raccomanda vivamente di utilizzare il cassetto sottostante.
- Per prestazioni ottimali, è possibile utilizzare la funzione Congelamento rapido (se disponibile) 24 ore prima di riporre gli alimenti freschi nel congelatore.
- Nella maggior parte dei casi, 24 ore sono sufficienti per la funzione di Congelamento rapido dopo aver inserito gli alimenti freschi nel congelatore. Dopo un po' di tempo, la funzione Congelamento rapido si disattiva automaticamente.
- Quando si congela una piccola quantità di cibo, la funzione di congelamento rapido può essere disattivata dopo un po' di tempo per garantire il risparmio energetico.
- Per garantire il risparmio energetico e tenere sempre gli alimenti nelle condizioni migliori, gli alimenti devono essere conservati utilizzando i cassetti dello scomparto raffreddatore.

## 4.2 Primo utilizzo

Prima di utilizzare il prodotto, accertarsi che siano stati effettuati i preparativi necessari in linea con le istruzioni riportate nelle sezioni "Istruzioni di sicurezza" e "Installazione".

- Attendere almeno 2 ore prima di mettere in funzione il prodotto, per garantire la completa efficienza della refrigerazione.

- Mantenere il prodotto in funzione senza inserire alcun alimento all'interno per 6 ore; lo sportello del prodotto dovrà essere tenuto quanto più possibile chiuso.
- La variazione di temperatura causata dall'apertura e dalla chiusura della porta durante l'uso del prodotto potrebbe portare a normale formazione di condensa sul cibo posto sui ripiani della porta/del vano frigo e sui contenitori di vetro posti nel prodotto.
- Si sentirà un suono quando viene attivato il compressore. È normale che il prodotto faccia rumore anche se il compressore non è in funzione, poiché il fluido e il gas potrebbero essere compressi nel sistema di raffreddamento.
- È normale che i bordi anteriori del prodotto siano caldi. Queste aree sono progettate per riscaldarsi al fine di evitare la formazione di condensa.
- Per alcuni modelli, il pannello indicatore si spegne automaticamente 1 minuto dopo la chiusura della porta. Si riattiva quando la porta è aperta o si preme un qualsiasi pulsante.

## 4.3 Classe climatica e definizioni

Si prega di fare riferimento alla classe climatica indicata sulla targhetta del dispositivo. Una delle seguenti informazioni è applicabile al proprio dispositivo secondo la classe climatica.

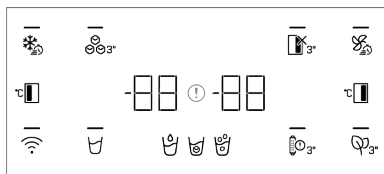
- **SN:** Clima temperato a lungo termine: Questo dispositivo di raffreddamento è progettato per l'uso a temperature ambiente tra 10 °C e 32 °C.
- **N:** Clima temperato: Questo dispositivo di raffreddamento è progettato per l'uso a temperature ambiente tra 16°C e 32 °C.
- **ST:** Clima subtropicale: Questo dispositivo di raffreddamento è progettato per l'uso a temperature ambiente tra 16°C e 38°C.
- **T:** Clima tropicale: Questo dispositivo di raffreddamento è progettato per l'uso a temperature ambiente tra 16°C e 43°C.

## 5 Funzionamento del prodotto

Leggere prima la sezione "Istruzioni di sicurezza"!

- Il prodotto dovrebbe essere usato unicamente per la conservazione di alimenti.
- Spegnerne la valvola dell'acqua se si è lontani da casa (ad esempio in vacanza) e si prevede di non utilizzare la macchinetta per il ghiaccio o l'erogatore d'acqua per un lungo periodo di tempo. In caso contrario, potrebbero verificarsi perdite d'acqua.

## 6 Pannello di controllo del prodotto



Leggere prima la sezione "Istruzioni di sicurezza"!

Le funzioni audio e video sul pannello indicatore assisteranno l'utente nell'utilizzo del frigorifero.

\*Opzionale: Le funzioni mostrate sono opzionali, ci potrebbero essere differenze di forma e posizione nelle funzioni che si trovano sul pannello indicatore dell'elettrodomestico.

### Tasto di congelamento rapido

Quando si preme il tasto di congelamento rapido, il LED sul tasto si illumina e verrà attivata la funzione di congelamento rapido. La temperatura dello scomparto congelatore è impostata a -27 gradi Celsius. Per annullare la funzione premere nuovamente sul tasto. La funzione di congelamento rapido sarà automaticamente annullata. Per congelare grandi quantitativi di alimenti freschi, premere il tasto di congelamento rapido prima di collocare gli alimenti all'interno dello scomparto congelatore.

### Scollegare il prodotto

- Rimuovere gli alimenti per evitare cattivi odori.
- Aspettare che il ghiaccio si scioglia, pulire l'interno e lasciarlo asciugare, lasciare le porte aperte per evitare di danneggiare le plastiche interne del corpo dell'apparecchio.

### Pulsante on/off macchina del ghiaccio

Premendo questo tasto per 3 secondi si attiva la produzione di ghiaccio e il LED sul tasto si illumina. Premendo nuovamente il tasto per 3 secondi si annulla il processo di produzione del ghiaccio e i cubetti di ghiaccio creati in precedenza possono essere utilizzati anche se la funzione è annullata.

### Spia dello stato di errore

Questo indicatore sarà attivo quando il frigorifero non è in grado di eseguire un raffreddamento adeguato o in caso di errore del sensore. La lettera "E" sarà visualizzata sull'indicatore della temperatura dello scomparto congelatore e cifre come 1,2,3... saranno visualizzate sull'indicatore della temperatura dello scomparto raffreddatore. Queste cifre forniscono informazioni al servizio autorizzato sull'errore verificatosi. Quando si caricano alimenti caldi nello scomparto freezer o si tiene aperta la porta per un lungo periodo di tempo potrebbe visualizzarsi un punto esclamativo. Non si tratta di un guasto, questa avvertenza sarà rimossa quando il cibo viene raffreddato o quando viene premuto un tasto qualsiasi.

### Tasto funzione dello scomparto raffreddatore Off (Vacanza)

Per attivare la funzione vacanza, premere il tasto per 3 secondi.

La modalità vacanza sarà attivata e il LED sul pulsante si accenderà. Sull'indicatore della temperatura dello scomparto di raffreddatore sarà visualizzato “- -” e quindi non eseguirà il raffreddamento. Se viene attivata questa funzione, non si devono tenere gli alimenti nello scomparto raffreddatore. Gli altri scomparti continuano a raffreddare secondo le temperature impostate in precedenza. Tenere premuto nuovamente il tasto per 3 secondi per annullare questa funzione.

### Tasto di raffreddamento rapido

Quando si preme il tasto di congelamento rapido, il LED del tasto si illumina e verrà attivata la funzione di congelamento rapido. La temperatura dello scomparto raffreddatore è impostata a 1 grado Celsius. Per annullare la funzione premere nuovamente sul tasto. La funzione di congelamento rapido si annulla automaticamente quando il raffreddamento è stato eseguito.

### Tasto di impostazione della temperatura dello scomparto raffreddatore

Per lo scomparto raffreddatore è disponibile l'impostazione della temperatura. Premendo questo tasto si attiverà l'impostazione della temperatura dello scomparto raffreddatore a 8,7,6,5,4,3, 2 e 1 grado Celsius.

### Tasto del modulo deodorante

Premere questo tasto per 3 secondi per attivare/disattivare la funzione deodorante. Quando la funzione deodorante è attiva, il LED sul rispettivo tasto è illuminato. Quando la funzione è attiva, il modulo deodorante sarà azionato periodicamente.

### Tasto di avviso per la sostituzione del filtro

Il filtro di ingresso dell'acqua del frigorifero deve essere sostituito a intervalli regolari. Il frigorifero calcola automaticamente questo periodo. Quando la durata del filtro è scaduta, il LED sul tasto di avviso di sostituzione del filtro si accende. Dopo aver sostitui-

to il filtro, tenere premuto il pulsante per 3 secondi per spegnere il LED di avviso di sostituzione del filtro.

### Tasto di selezione acqua, cubetto di ghiaccio, ghiaccio tritato

Questo tasto consente di passare tra le selezioni di acqua, cubetti di ghiaccio e ghiaccio tritato. Quando si attiva la funzione, la luce sul tasto deve rimanere accesa.

### Tasto wireless

Questo tasto viene utilizzato per effettuare una connessione wireless con il proprio prodotto tramite l'applicazione mobile HomeWhiz.

Quando si preme il tasto per 3 secondi, il LED sul tasto lampeggia lentamente (con intervalli di 0,5 secondi). A questo punto sul prodotto viene visualizzata la rete domestica.

Dopo aver effettuato la connessione wireless con il prodotto, il LED sul tasto si illuminerà continuamente.

Una volta stabilita la connessione iniziale, è possibile attivare/disattivare la connessione con una breve pressione di questo tasto. Il LED sul tasto lampeggerà rapidamente (a intervalli di 0.2 secondi) fino a quando l'elettrodomestico è collegato. Quando la connessione è attiva, il LED rimane illuminato.

Se la connessione non può essere stabilita per un lungo periodo di tempo, controllare le impostazioni per la connessione e consultare la sezione "Risoluzione dei problemi" del manuale utente.

Per la connessione wireless sarà utilizzata l'applicazione HomeWhiz. Le varie fasi di installazione sono descritte sull'applicazione durante l'installazione. È possibile accedere all'applicazione leggendo il codice QR disponibile sull'etichetta HomeWhiz del prodotto. L'applicazione è offerta attraverso App Store per i dispositivi iOS e attraverso Play Store per i dispositivi Android.

Visitare l'indirizzo <https://www.homewhiz.com/> per informazioni dettagliate.

## Tasto di impostazione della temperatura dello scomparto Congelatore

L'impostazione della temperatura è disponibile per lo scomparto del congelatore. La pressione di questo tasto abiliterà l'impostazione della temperatura dello scomparto congelatore a -16,-17,-18,-19,-20,-21,-22 gradi Celsius.

## ATTENZIONE



**La temperatura può essere impostata tra 1-8°C per il vano frigorifero e tra -24 e -15°C per il vano congelatore. I valori di temperatura regolabili possono variare a condizione che siano compresi in questi intervalli in base alle specifiche del prodotto.**

## 7 Uso dell'apparecchio

### 7.1 Conservare il cibo nel congelatore e nello scomparto frigorifero

#### Conservare il cibo nello scomparto congelatore (freezer)

- È possibile attivare la funzione di congelamento rapido 4-6 ore prima della funzione di congelamento ed eseguire così un raffreddamento più rapido.
- Prima di metterli nello scomparto congelatore, portare i pasti caldi a temperatura ambiente.
- Gli alimenti da congelare vanno suddivisi in porzioni a seconda della dimensione da consumare e vanno congelati in pacchetti separati.
- Consigliamo di confezionare gli alimenti prima di riporli all'interno del congelatore.
- Al fine di evitarne la scadenza, annotare la data, l'ora di congelamento e il nome dell'alimento sulla confezione, in base ai periodi di conservazione dei diversi prodotti alimentari.
- Consumare rapidamente gli alimenti che sono stati scongelati. Gli alimenti scongelati non possono essere ricongelati, a meno che siano cotti. Non è sicuro consumare i cibi freschi ricongelati senza cottura dopo che sono stati scongelati.
- Quando vengono congelati alimenti freschi, evitare che gli stessi entrino in contatto con alimenti già congelati. Altrimenti, i cibi congelati si scongeleranno.

#### Conservare gli alimenti che sono venduti congelati

- Quando si conservano gli alimenti, attenersi ai tempi indicati nelle presenti istruzioni.
- Per proteggere la qualità degli alimenti, mantenere l'intervallo di tempo tra l'acquisto e la conservazione il più breve possibile.
- Acquistare gli alimenti congelati che sono conservati a -18°C o a temperature inferiori.
- Evitare di acquistare alimenti le cui confezioni sono coperte di ghiaccio ecc. Questo significa che il prodotto potrebbe essere stato parzialmente scongelato e ricongelato. La temperatura influisce sulla qualità degli alimenti.
- Non superare il tempo di conservazione raccomandato dal produttore dell'alimento. Togliere dal congelatore solo il cibo di cui si ha bisogno.
- Tranne i casi in cui vi siano delle circostanze ambientali estreme, se il prodotto (sulla tabella dei valori nominali raccomandati) è impostato sui valori nominali specificati, gli alimenti manterranno la loro freschezza più a lungo sia nello scomparto prodotti freschi che nello scomparto congelatore.
- Se lo scomparto degli alimenti freschi è impostato su una temperatura più bassa, la frutta e la verdura fresche potrebbero subire il parziale congelamento.



## **Congelamento rapido**

1. Attivare la funzione di congelamento rapido 24 ore prima di inserire gli alimenti freschi.
2. 24 ore dopo aver premuto il pulsante, mettere gli alimenti che si desidera congelare sul terzo e quarto ripiano, in quanto hanno una capacità di congelamento superiore.
3. Una volta che la funzione di congelamento rapido verrà attivata, sarà automaticamente annullata dopo un certo periodo di tempo.

## **Dettagli per il congelatore**

Conformemente agli standard IEC 62552, il congelatore deve avere la capacità di congelare 4,5 kg di alimenti a -18°C o a temperature inferiori a 25°C in 24 ore per ogni 100 litri di volume dello scomparto congelatore. Gli alimenti possono essere conservati solo per lunghi periodi di tempo a temperature uguali o inferiori a -18°.

Sarà possibile conservare gli alimenti freschi per mesi (all'interno del congelatore a temperature uguali o inferiori a -18°).

Per evitare uno scongelamento parziale, gli alimenti da congelare non devono entrare in contatto con gli altri alimenti già congelati all'interno del congelatore.

Bollire le verdure e filtrare l'acqua per estendere il tempo di conservazione del congelato. Collocare gli alimenti in sacchetti ermetici, dopo aver eseguito il filtraggio e il posizionamento all'interno del congelatore. Banane, pomodori, lattuga, sedano, uova bollite, patate e altri alimenti simili non dovrebbero essere congelati. Nel caso in cui questi alimenti si congelino, solo i valori nutrizionali e le qualità alimentari ne risentiranno negativamente. Non si tratta di una minaccia per la salute umana.

## **Posizionamento degli alimenti**

**Ripiani dello scomparto congelatore:** diversi alimenti congelati come carne, pesce, gelato, verdure ecc.

**Ripiani dello scomparto refrigerante:** alimenti all'interno di vasi, piatti e contenitori chiusi, uova (in contenitori chiusi)

**Ripiani dello sportello dello scomparto refrigerante:** alimenti o bevande di piccole dimensioni e confezionati

**Crisper:** Verdure e frutta

**Scomparto alimenti freschi:** Delicatessen (alimenti per la prima colazione, prodotti a base di carne da consumare in poco tempo)

## **Conservare il cibo nello scomparto frigorifero**

- Le temperature dello scomparto aumentano notevolmente se la porta dello scomparto viene aperta e chiusa frequentemente e tenuta aperta per molto tempo; questo può ridurre la durata degli alimenti e causare il loro precoce deterioramento.
- Per non causare cambiamenti di odore e sapore, gli alimenti dovrebbero essere conservati in contenitori chiusi.
- Non conservare troppi alimenti nel frigorifero. Per ottenere un raffreddamento migliore e omogeneo, disporre gli alimenti separatamente in modo che l'aria fredda possa attraversarli.
- Garantire il flusso d'aria lasciando uno spazio tra gli alimenti e la parete interna. Se gli alimenti vengono appoggiati sulla parete posteriore potrebbero congelarsi.
- Portare i pasti caldi cotti a temperatura ambiente prima di metterli in frigorifero. Quindi, mettere il pasto tiepido nei ripiani inferiori del frigorifero. Non mettere i pasti tiepidi vicino agli alimenti che potrebbero facilmente deperirsi.
- Scongelare gli alimenti congelati nello scomparto degli alimenti freschi. In questo modo, è possibile raffreddare lo scomparto degli alimenti freschi utilizzando gli alimenti congelati così da risparmiare energia.
- Conservare la frutta tropicale acerba (mango, varietà di melone, papaya, banana, ananas) nel frigorifero potrebbe accelerare il processo di maturazione. Questo non è consigliabile, perché causa una riduzione dei tempi di conservazione.

- Cipolle, aglio, zenzero e altri ortaggi a radice dovrebbero essere conservati in condizioni di buio e freddo, non in frigorifero.
- Se si nota che un alimento si è deperito nel frigorifero, buttare via quell'alimento e pulire gli accessori che sono entrati in contatto con esso.
- Per raffreddare rapidamente zuppe e stufati, che sono cucinati in grandi pentole, è possibile metterli in frigorifero distribuendoli in contenitori poco profondi
- Non mettere gli alimenti non confezionati vicino alle uova.
- Conservare la frutta e la verdura separatamente e raggruppandola secondo la varietà (per esempio: mele con mele, carote con carote).
- Togliere le verdure verdi dal sacchetto di plastica e metterle in frigorifero dopo averle avvolte in un tovagliolo di carta o in un panno asciutto. Se prima di metterli in frigorifero questi alimenti sono stati lavati, ricordarsi di asciugarli.
- Per creare un ambiente umido e fornire un flusso d'aria a frutta e verdura, che sono inclini a seccarsi, conservarle nei sacchetti di plastica perforati o non sigillati.
- Tranne i casi in cui vi siano delle circostanze ambientali estreme, se il prodotto (sulla tabella dei valori nominali raccomandati) è impostato sui valori nominali specificati, gli alimenti manterranno la loro freschezza più a lungo sia nello scomparto prodotti freschi che nello scomparto congelatore.

### Conservare alimenti diversi in luoghi diversi a seconda delle loro caratteristiche.

Alimenti	Ubicazione
Uova	Ripiano porta
Prodotti caseari (burro, formaggio)	Se disponibile, scomparto a zero gradi (per il cibo della colazione)
Frutta, vegetali e verdura a foglia verde	Scomparto per frutta e verdura, crisper o Scomparto EverFresh+ (se disponibile)
Carne fresca, pollame, pesce, salsicce, ecc. Cibi cotti	Se disponibile, scomparto a zero gradi (per il cibo della colazione)
Cibi pronti da servire, prodotti confezionati, cibi in scatola e sottaceti	Ripiani superiori o ripiano della porta
Bevande, bottiglie, spezie e snack	Ripiano porta

### Tabella dei valori di impostazione consigliati

Impostazione dello scomparto congelatore	Impostazione dello scomparto frigorifero	Consigli
-22°C	4°C	Questa è l'impostazione predefinita consigliata. Questa impostazione è raccomandata se la temperatura ambiente è inferiore a 30°C.
-22°C o inferiore	4°C	Queste impostazioni sono consigliate quando la temperatura ambiente supera i 30°C.
Congelamento rapido	4°C	Usare quando si desidera congelare alimenti in modo rapido. Al termine del processo, le impostazioni del prodotto torneranno a quelle precedenti.
-18°C o inferiore	2°C	Usare queste impostazioni se si ritiene che lo scomparto del congelatore non sia sufficientemente freddo, a causa della temperatura ambiente, o a causa delle frequenti aperture della porta.

## 7.2 Sostituzione della lampada

Quando la lampadina/LED usata per l'illuminazione del frigorifero deve essere sostituita, chiamare il servizio assistenza autorizzato.

La lampada o le lampade utilizzate in questa apparecchiatura non possono essere utilizzate per l'illuminazione della casa. L'uso previsto di questa lampada è quello di aiutare l'utente a mettere il cibo nel frigorifero/congelatore in modo sicuro e confortevole.

## 7.3 Avviso di sportello aperto

Il sistema di avviso di sportello aperto del frigorifero può differire a seconda del modello.

### Versione 1;

Se lo sportello del prodotto rimane aperto per un determinato periodo di tempo (tra 60 e 120 secondi), viene emesso un segnale acustico di avviso; a seconda del model-

lo di prodotto, può essere visualizzato anche un segnale di avvertimento visivo (luce lampeggiante). Se si chiude lo sportello del dispositivo o se si preme un pulsante sullo schermo del dispositivo, se presente, l'avviso sonoro si arresterà.

### Versione 2;

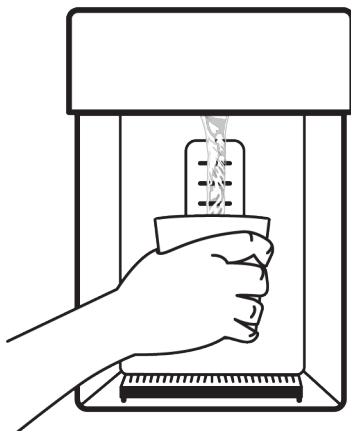
Se lo sportello del dispositivo resta aperto per un determinato periodo di tempo (tra 60 e 120 secondi) viene emesso l'avviso porta aperta. L'avviso di porta aperta viene emesso gradualmente. Prima un avviso udibile inizia a suonare. Dopo 4 minuti, se lo sportello non è ancora stato chiuso, si attiva un avviso visivo (luce lampeggiante). L'avviso di sportello aperto verrà ritardato per un certo periodo di tempo (tra 60 s e 120 s) quando si preme un qualsiasi tasto sullo schermo del prodotto, se presente. Quindi il processo ricomincerà. Quando lo sportello del dispositivo è chiuso, l'avviso di sportello aperto verrà annullato.

## 8 Caratteristiche del prodotto

### 8.1 L'area di conservazione del ghiaccio

#### Prelievo di ghiaccio/acqua

Selezionare l'opzione corrispondente tramite il display per prelevare acqua (📄) / cubetti di ghiaccio (🧊) / ghiaccio in frammenti (🧊). Spingere in avanti il grilletto dell'erogatore d'acqua per prelevare acqua/ghiaccio. Quando si passa dall'opzione cubetto di ghiaccio (🧊) a quella di ghiaccio in frammenti (🧊), all'inizio potrebbe fuoriuscire il tipo di ghiaccio rimasto dalla selezione precedente.

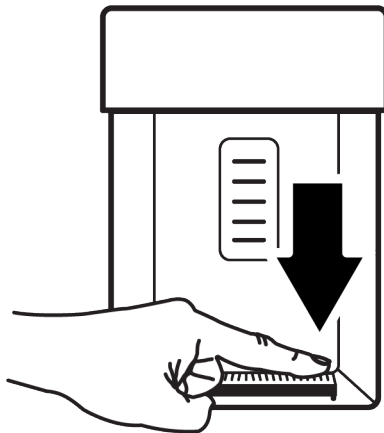


- Per prelevare il ghiaccio dall'erogatore di ghiaccio/acqua per la prima volta, è necessario attendere circa 12 ore. Se nel contenitore del ghiaccio non c'è ghiaccio a sufficienza, non sarà possibile prelevare il ghiaccio dall'erogatore.
- Non consumare/utilizzare i cubetti di ghiaccio (3-4 litri) dopo il primo funzionamento.

- Se si verifica un'interruzione di corrente o un malfunzionamento temporaneo mentre il prodotto è in funzione, il ghiaccio potrebbe sciogliersi leggermente e ricongelarsi. In questo caso, i cubetti potrebbero rimanere attaccati l'uno con l'altro. In caso di interruzione di corrente o di malfunzionamento, il ghiaccio potrebbe sciogliersi e creare un accumulo/perdita d'acqua. In questo caso, pulire il contenitore del ghiaccio versando il ghiaccio rimasto nel contenitore stesso.
- L'impianto idrico del prodotto deve essere collegato solo alla linea dell'acqua fredda. Non deve essere collegato alla linea dell'acqua calda.
- Durante il primo funzionamento del prodotto, si potrebbe non riuscire a prelevare acqua. Ciò è dovuto alla presenza di aria nel sistema. È necessario scaricare l'aria nel sistema. A questo scopo, premere il grilletto dell'erogatore per 1-2 minuti finché l'acqua non esce dall'erogatore. All'inizio, il flusso dell'acqua potrebbe essere irregolare. Il flusso dell'acqua tornerà normale una volta scaricata l'aria presente nel sistema.
- Quando si utilizza il filtro per la prima volta, l'acqua potrebbe essere torbida. I primi 10 bicchieri d'acqua non devono essere consumati.
- Quando il prodotto viene messo in funzione per la prima volta, devono trascorrere circa 12 ore affinché l'acqua si raffreddi.
- Il sistema dell'acqua del prodotto è stato progettato in modo che possa funzionare solo con acqua pulita. Non utilizzare bevande e liquidi diversi dall'acqua.
- Se non si utilizza il prodotto per un lungo periodo di tempo per vacanza, ecc. si consiglia di chiudere l'allacciamento all'acqua. Se l'erogatore dell'acqua non viene usato a lungo, i primi bicchieri, 1-2, potrebbero contenere acqua calda.

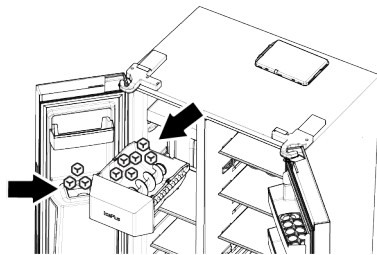
### Vaschetta di raccolta

L'acqua che gocciola dall'erogatore dell'acqua si accumula nella vaschetta di raccolta; il prodotto non dispone di uno scarico dell'acqua. È possibile estrarre il vassoio di raccolta tirandolo verso di sé o premendo sul bordo. In questo modo è possibile pulire l'acqua nella vaschetta di raccolta.



### Macchina per il ghiaccio

La macchinetta del ghiaccio si trova nella parte superiore del corpo del congelatore. Afferrando la maniglia sotto la parte anteriore, tirare il contenitore del ghiaccio verso di sé per rimuoverlo.



### Per rimuovere il contenitore del ghiaccio

Afferrare la maniglia sul fondo del contenitore e tirarla verso di sé.

### Per reinstallare il contenitore del ghiaccio

Inserire il contenitore nella sua sede e spingerlo indietro tenendolo parallelo al terreno. Assicurarsi che non rimanga spazio tra il contenitore e lo scomparto per la produzione del ghiaccio.

### **Nel caso in cui non si riesca a produrre tutti i cubetti di ghiaccio**

I cubetti di ghiaccio che rimangono a lungo nel contenitore potrebbero rimanere attaccati fra loro e formare grossi blocchi di ghiaccio. In questo caso, rimuovere il contenitore del ghiaccio come descritto nel manuale, separare i cubetti di ghiaccio, rimuovere quelli che non possono essere separati dal contenitore e rimettere i cubetti rimanenti nel contenitore.

Se il problema persiste, controllare il canale del ghiaccio e rimuoverlo se è ostruito.

### **Quando si utilizza la macchinetta per il ghiaccio per la prima volta o dopo un lungo periodo di tempo**

I cubetti di ghiaccio potrebbero ridursi a causa dell'aria residua nel sistema dell'acqua. L'aria verrà scaricata automaticamente dopo averla utilizzata per un po' di tempo.

- Non utilizzare i cubetti di ghiaccio prodotti il primo giorno in modo da rinfrescare tutta l'acqua residua nell'impianto.
- Non inserire le mani o altri oggetti nel canale del ghiaccio e nelle lame tritaggiaccio mentre il frigorifero è in funzione.
- Non permettere ai bambini di aggrapparsi alla macchinetta del ghiaccio, al contenitore del ghiaccio o all'erogatore di acqua/ghiaccio.
- Afferrare saldamente il contenitore del ghiaccio con entrambe le mani per non farlo cadere.
- Quando si chiude velocemente lo sportello dell'apparecchio, l'acqua presente nel congelatore potrebbe schizzare finendo nel contenitore del ghiaccio.
- Non smontare il contenitore del ghiaccio se non è necessario.
- In caso di inceppamento (l'apparecchio non fa cadere i cubetti di ghiaccio) mentre si ottiene il ghiaccio in frammenti, provare a ottenere prima i cubetti di ghiaccio.
- Successivamente riprovare con l'erogazione del ghiaccio in frammenti.

- Quando si seleziona il ghiaccio in frammenti, l'apparecchio potrebbe prima produrre dei cubetti di ghiaccio. È possibile che l'elettrodomestico produca cubetti di ghiaccio quando si ottiene ghiaccio in frammenti.
- Lo sportello del congelatore della macchinetta del ghiaccio potrebbe essere coperta da una leggera brina e da uno strato di patina.
- È normale e si consiglia di pulire immediatamente.
- Dopo un po' di tempo, l'acqua potrebbe riempire la griglia che si trova sul fondo dell'erogatore.
- Si consiglia di rimuovere regolarmente l'acqua dalla griglia.
- È normale che si senta un rumore, quando i cubetti di ghiaccio cadono dal contenitore del ghiaccio.. Questo non significa che ci sia un malfunzionamento.
- Il meccanismo della lama del contenitore del ghiaccio è affilato e potrebbe ferire le mani.
- Se i cubetti di ghiaccio non fuoriescono dall'erogatore, significa che potrebbero essere incastrati tra loro. Per continuare a ottenere cubetti di ghiaccio è necessario pulire il contenitore.
- Quando viene premuto il pulsante di attivazione per ottenere il ghiaccio (Indicatore, ecc.) non può essere cambiato il tipo di ghiaccio. È necessario rilasciare il pulsante (Indicatore, ecc.), cambiare la tipologia di ghiaccio e riprodurlo. Solo dopo aver cambiato il tipo di ghiaccio sull'indicatore, si potrà prelevare il ghiaccio nella forma selezionata.

## **8.2 Porta uova**

È possibile posizionare il portauovo sullo sportello o sul ripiano del corpo/struttura che si desidera.

Se il portauovo deve essere posizionato sul ripiano del corpo, si consiglia di scegliere ripiani inferiori più freddi.

- Non collocare mai il portauova sullo scomparto congelatore.

### 8.3 Cassetto frutta e verdura

Il cassetto frutta e verdura del frigorifero è stato pensato per tenere fresche le verdure preservando al tempo stesso il loro grado di umidità. A tal fine, all'interno del cassetto, la circolazione complessiva dell'aria fredda è più intensa. Consigliamo di tenere frutta e verdura all'interno di questo scomparto. Tenere le verdure con foglie verdi e i frutti in luoghi separati, al fine di prolungarne la durata.

### 8.4 Area di conservazione a freddo dei prodotti lattiero-caseari

#### Cassetto per la conservazione a freddo

Nello scomparto frigorifero, il cassetto per la conservazione a freddo può raggiungere temperature più basse. Utilizzare questo cassetto per prodotti di rosticceria (salumi, salsicce, ecc.) e latticini che richiedono condizioni di conservazione più fredde, o per carne, pollo o pesce da consumare rapidamente. Non conservare frutta e verdura in questo cassetto.

### 8.5 Crisper a umidità controllata

Con la funzione crisper a umidità controllata, l'umidità delle verdure e della frutta è tenuta sotto controllo e il cibo è mantenuto fresco per un periodo di tempo più lungo.

Raccomandiamo di mettere le verdure a foglia come la lattuga, gli spinaci e altre verdure simili che sono sensibili alla perdita di umidità nel crisper, non in verticale sulle loro radici, ma il più orizzontalmente possibili.

Quando si posizionano le verdure, sistemare quelle pesanti e dure in basso e quelle leggere e morbide in alto, tenendo conto del loro peso specifico.


Non lasciare mai le verdure in sacchetti di plastica nel crisper. Lasciare quel tipo di alimenti in sacchetti di plastica farà marcire le verdure in breve tempo.

In situazioni in cui è preferibile non mettere in contatto diversi tipi di verdure, utilizzare materiali da imballaggio come la carta che abbia un certo grado di porosità in termini di igiene.

Non mettere la frutta che ha un'alta produzione di gas etilene come la pera, l'albicocca, la pesca e in particolare la mela nello stesso cassetto con altre verdure e frutti. Il gas etilene che fuoriesce da questi frutti potrebbe far maturare più velocemente altri ortaggi e frutti e farli marcire in un periodo di tempo più breve.

### 8.6 Collegamento all'acqua

(Questa funzione è opzionale)

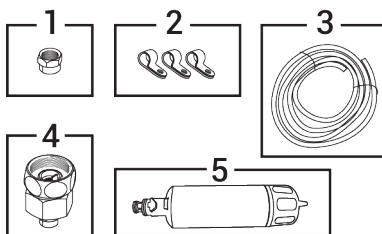
 **AVVERTENZA**

Durate il collegamento, scollegare il prodotto e la pompa dell'acqua, se presente.

I collegamenti alla rete elettrica, al filtro e al serbatoio del prodotto devono essere effettuati da un centro di assistenza autorizzato.

A seconda del modello, puoi collegare il tuo prodotto a una damigiana o direttamente alla rete idrica. Per effettuare questo collegamento, è necessario prima collegare il tubo dell'acqua al prodotto.

A seconda del modello del tuo prodotto, controlla se le seguenti parti sono incluse con il prodotto:



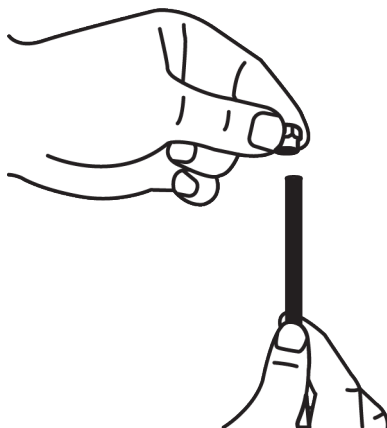
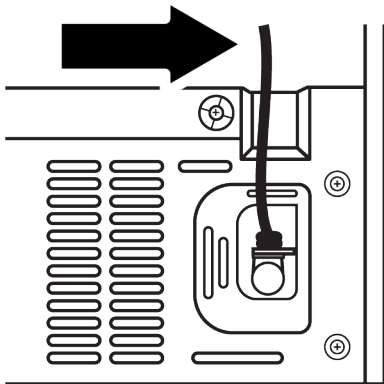
1. Connettore (1 pezzo): Utilizzato per collegare il tubo dell'acqua alla parte posteriore del prodotto.

2. Fascetta stringi-tubo (3 pezzi): Serve per fissare il tubo dell'acqua alla parete.
3. Tubo dell'acqua (1 pezzo, 5 metri di diametro 1/4 di pollice): Utilizzato per il collegamento all'acqua.
4. Adattatore per rubinetto (1 pezzo): Utilizzato per il collegamento alla rete idrica fredda con filtro poroso.
5. Filtro acqua (1 pezzo \*Opzionale): Serve per collegare l'acqua di rete al prodotto. Se c'è il collegamento di un fusto; non è necessario utilizzare un filtro per l'acqua.

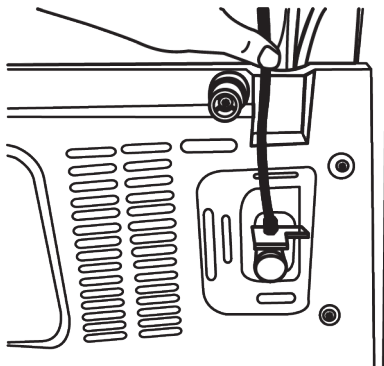
### Collegamento del tubo dell'acqua al prodotto

Seguire le istruzioni riportate di seguito per collegare il tubo dell'acqua al prodotto.

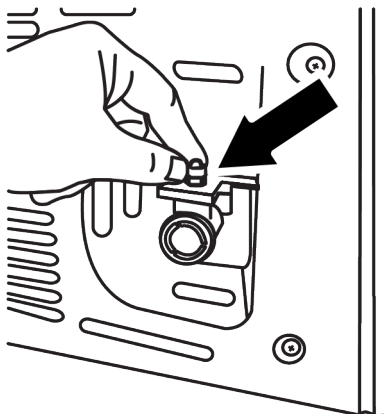
1. Rimuovere il raccordo dall'adattatore dell'estremità del tubo attaccato alla parte posteriore del prodotto, avvitare il raccordo sul tubo dell'acqua.



2. Collegare il tubo dell'acqua all'adattatore dell'estremità del tubo premendo con forza verso il basso.



3. Fissare il raccordo all'adattatore dell'estremità del tubo stringendolo a mano. Puoi stringere il raccordo usando una chiave a tubo o una pinza.

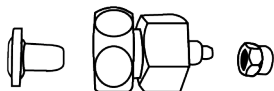


## Collegamento alla rete idrica

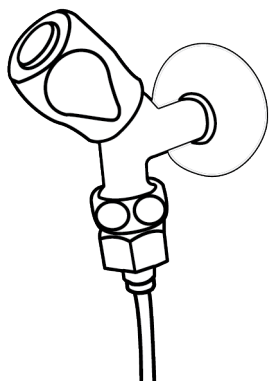
(Questa funzione è opzionale)

Se si intende utilizzare il prodotto collegandolo alla linea dell'acqua fredda, è necessario installare un raccordo valvola standard da 1/2" sulla rete dell'acqua fredda della propria abitazione. Se questo raccordo non è disponibile e non sei sicuro, consulta un idraulico qualificato.

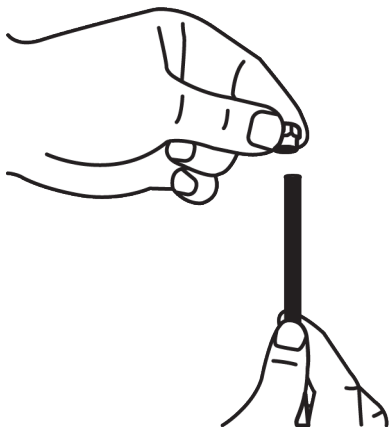
1. Scollegare il raccordo dall'adattatore del rubinetto.



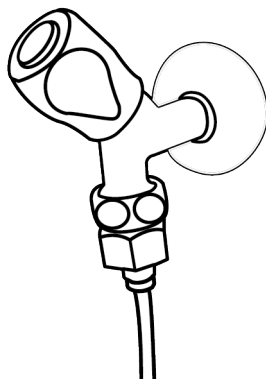
2. Collegare l'adattatore del rubinetto alla valvola della linea di alimentazione.



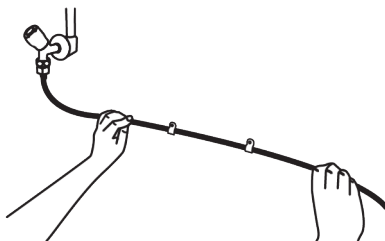
3. Avvitare il raccordo sul tubo dell'acqua.



4. Fissare il connettore all'adattatore del rubinetto e serrare manualmente o con un attrezzo.



5. Fissare il tubo dell'acqua in punti adeguati con le clip fornite per evitare danni, scivolamenti o spostamenti accidentali.



### AVVERTENZA

Dopo aver aperto il rubinetto, verificare che non vi siano perdite d'acqua da entrambe i giunti del tubo dell'acqua. In caso di perdite, chiudere la valvola e serrare tutte le connessioni con una chiave per tubi o una pinza.

### Per i prodotti che utilizzano contenitori;

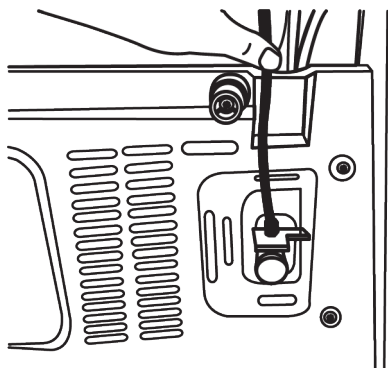
(Questa funzione è opzionale)

Per collegare l'acqua del contenitore al prodotto, è necessaria la pompa dell'acqua raccomandata dal servizio autorizzato.

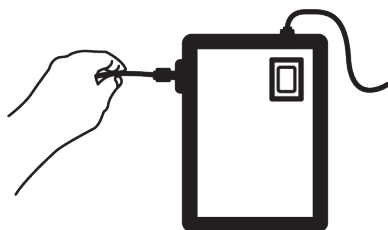
Per collegare l'acqua del contenitore al prodotto, è necessaria la pompa dell'acqua raccomandata dal servizio autorizzato.



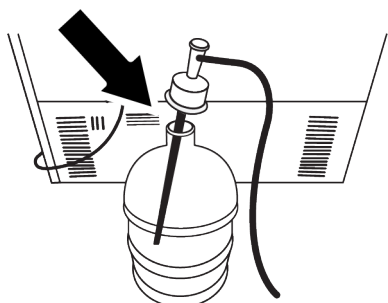
1. Dopo aver collegato un'estremità del tubo dell'acqua dalla pompa al prodotto, seguire le istruzioni riportate di seguito.



2. Effettuare il collegamento spingendo l'altra estremità del tubo dell'acqua nell'ingresso del tubo dell'acqua della pompa.



3. Fissare il tubo della pompa inserendolo nel contenitore.



4. Dopo aver completato il collegamento, collegare la pompa alla presa e avviare la pompa.

**i** Dopo aver avviato la pompa, attendere 2-3 minuti affinché raggiunga l'efficienza desiderata.

**i** Fare riferimento al manuale di istruzioni della pompa durante il collegamento dell'acqua.

**i** Se verrà utilizzato il contenitore, non è necessario utilizzare un filtro per l'acqua.


### Filtro dell'acqua

(Questa funzione è opzionale)

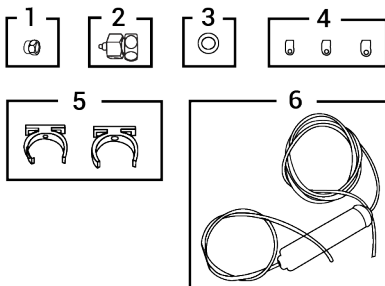
A seconda del modello, il prodotto può essere dotato di filtro esterno o interno. Per installare il filtro dell'acqua, seguire le istruzioni riportate di seguito.

### Montare il filtro esterno sulla parete

(Questa funzione è opzionale)

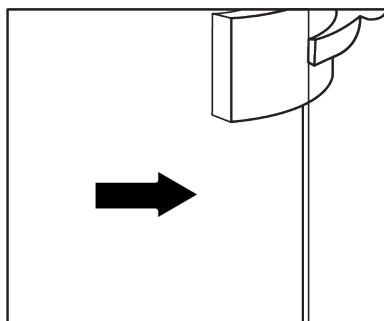
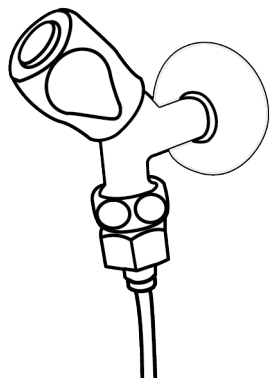
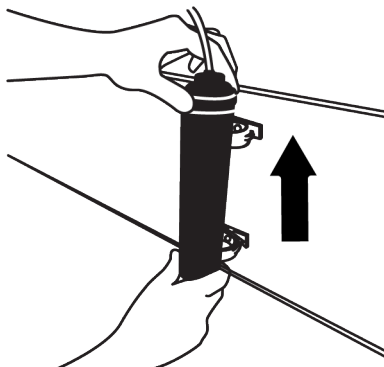
**AVVERTENZA**  
 Non installare il filtro sul prodotto.

A seconda del modello del tuo prodotto, controlla se le seguenti parti sono incluse con il prodotto:

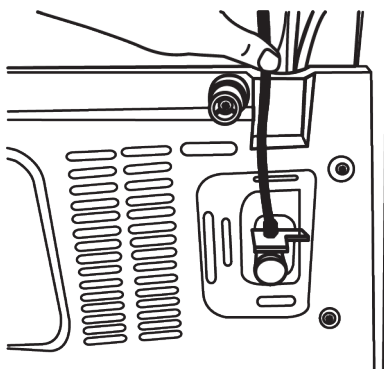
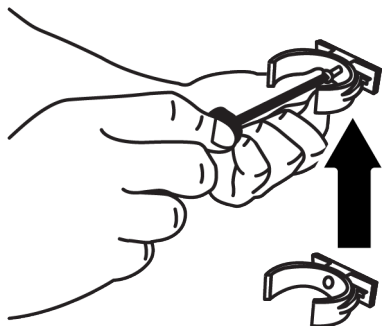


1. Connettore (1 pezzo): Utilizzato per collegare il tubo dell'acqua alla parte posteriore del prodotto.
2. Adattatore per rubinetto (1 pezzo): Utilizzato per il collegamento alla rete idrica dell'acqua fredda.
3. Filtro poroso (1 pezzo)
4. Fascetta stringi-tubo (3 pezzi): Serve per fissare il tubo dell'acqua alla parete.
5. Sistema di collegamento del filtro (2 pezzi): Utilizzato per montare il filtro alla parete.

6. Filtro acqua (1 pezzo): Serve per collegare l'acqua di rete al prodotto. Se c'è il collegamento di un fusto; non è necessario utilizzare un filtro per l'acqua.
7. Collegare l'adattatore del rubinetto alla valvola della linea di alimentazione.
8. Decidere il luogo in cui fissare il filtro esterno. Fissare il sistema di collegamento del filtro (5) alla parete.
9. Attaccare il filtro in posizione verticale alla staffa del filtro, come indicato sull'etichetta. ( 6 ).



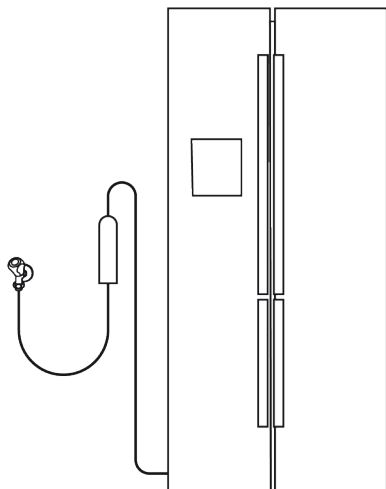
10. Collegare il tubo dell'acqua che fuoriesce dalla parte superiore del filtro all'adattatore di collegamento dell'acqua del prodotto.



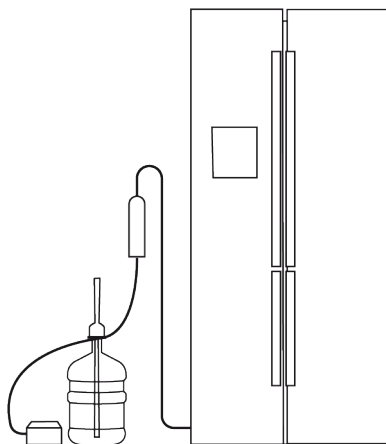
11. Una volta completata la connessione, l'immagine dovrebbe essere come mostrato di seguito.

Poiché il filtro interno in dotazione al prodotto non viene installato, le procedure necessarie per la sua preparazione sono le seguenti:

**Linea dell'acqua:**

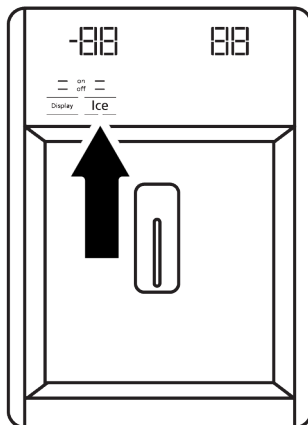


**Linea della damigiana:**



**i** Non utilizzare i primi 10 bicchieri d'acqua dopo aver collegato il filtro.

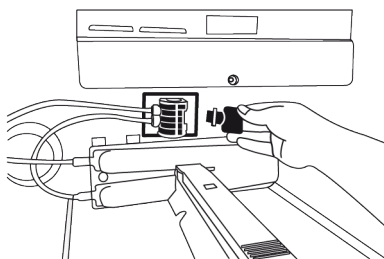
1. Per l'installazione del filtro, l' "Indicatore Ice Off" deve essere attivo. Il passaggio tra gli indicatori ON e OFF sul display avviene premendo il pulsante "Ice".



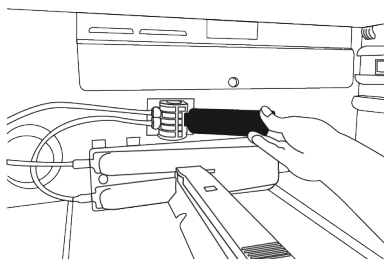
- 2. Per accedere al filtro dell'acqua, rimuovere il contenitore per frutta e verdura.
- 3. Rimuovere il coperchio del filtro by-pass dell'acqua tirandolo verso di sé.

**i** È normale che fuoriescano alcune gocce d'acqua dopo aver rimosso il coperchio.

- 4. Inserire il coperchio del filtro dell'acqua nel meccanismo e spingerlo in avanti per bloccarlo in posizione.



- 5. Uscire dalla modalità "Ice Off" premendo nuovamente il pulsante "Ice" sul display.





Il filtro dell'acqua elimina alcune particelle estranee presenti nell'acqua. Non purifica l'acqua dai microrganismi.

## 9 Manutenzione e pulizia

Leggere prima la sezione "Istruzioni di sicurezza"!

Prima di pulire il prodotto, scollegarlo o togliere tensione al fusibile a cui è collegato. Non posizionare per nessun motivo le mani, i piedi o oggetti metallici sotto il frigorifero o tra il frigorifero e il pavimento. Si potrebbero verificare inceppamenti o i bordi taglienti potrebbero causare lesioni personali.

- Non utilizzare utensili affilati o abrasivi per pulire il prodotto. Non usare materiali come detersivi domestici, sapone, detersivi, gas, benzina, diluenti, alcool, cera, ecc.
- La polvere deve essere rimossa dalla griglia di ventilazione sul retro del prodotto almeno una volta all'anno (senza aprire il coperchio). Pulire il prodotto servendosi di un panno asciutto.

### Per prodotti con erogatore d'acqua/macchina del ghiaccio

- Se l'acqua è rimasta per 2-3 settimane nel serbatoio, deve essere sostituita.
- Il serbatoio dell'acqua e i componenti dell'erogatore dell'acqua non devono essere lavati in lavastoviglie.
- Sciogliere un cucchiaino di carbonato in mezzo litro d'acqua. Ammorbidire un panno in acqua, quindi strizzarlo. Pulire il dispositivo con questo panno, quindi asciugare completamente.
- Fare attenzione a tenere l'acqua lontana dal coperchio della luce, dal vetro dell'illuminazione a LED, dai fori di ventilazione o da altre parti elettriche. Rischio di scossa elettrica e cortocircuito!

- Non aprire le parti sotto tensione (coperchio della scheda di controllo, coperchio posteriore del compressore se presente, ecc.) senza la presenza di una persona autorizzata e non eseguire alcuna pulizia, manutenzione o riparazione qui. Se il prodotto non ha copertura nella sezione del compressore, non toccarlo con le mani o con qualsiasi oggetto. Rischio di scosse elettriche e lesioni!
- Pulire la porta servendosi di un panno umido. Rimuovere i ripiani della porta e del corpo, così come tutto il contenuto all'interno del frigorifero. Rimuovere i ripiani della porta sollevandoli verso l'alto. Pulire e asciugare i ripiani, poi fissarli nuovamente in posizione facendoli scorrere da sopra.
- Non usare acqua con cloro o prodotti detersivi sulla superficie esterna e sulle componenti rivestite in cromo. Il cloro provoca ruggine su queste superfici metalliche.
- Non posizionare mani, piedi o oggetti metallici sotto il frigorifero. Si potrebbero verificare inceppamenti o i bordi taglienti potrebbero causare lesioni personali.
- Non utilizzare strumenti affilati e abrasivi, sapone, materiali per la pulizia della casa, detersivi, gas, benzina, vernici e sostanze simili per evitare deformazioni e rimozione di impronte sulla parte in plastica. Per pulire, usare acqua tiepida e un panno morbido, quindi asciugare.

### Sui prodotti senza funzione No-Frost;

- Sulla parete posteriore dello scomparto congelatore si potrebbero formare gocce d'acqua e ghiaccio dello spessore fino a un dito. Non pulirla; non applicare mai olio o sostanze simili.
  - Per pulire la superficie esterna del prodotto utilizzare un panno in micro-fibra leggermente inumidito. Spugne e altri tipi di panni per la pulizia potrebbero graffiare la superficie.
  - Per pulire tutti i componenti rimovibili durante la pulizia della superficie interna del prodotto, lavare questi componenti con una soluzione delicata composta da sapone, acqua e carbonato. Risciacquare e asciugare completamente. Evitare il contatto dell'acqua con i componenti dell'illuminazione e con il pannello di controllo.
  - Fare attenzione a tenere l'acqua lontana dalla copertura delle lampade e dalle altre componenti elettriche.
  - Pulire la porta servendosi di un panno umido. Per rimuovere la porta e i vari ripiani, rimuovere prima tutto il contenuto. Rimuovere i ripiani della porta sollevandoli verso l'alto. Pulire e asciugare i ripiani, poi fissare nuovamente in posizione facendo scorrere da sopra.
  - Non usare acqua con cloro o prodotti detergenti sulla superficie esterna e sulle componenti rivestite in cromo. Il cloro provoca ruggine su queste superfici metalliche.
  - Non utilizzare strumenti affilati e abrasivi, sapone, materiali per la pulizia della casa, detersivi, gas, benzina, vernici e sostanze simili per evitare deformazioni e rimozione di impronte sulla parte in plastica. Per pulire, usare acqua tiepida e un panno morbido, quindi asciugare.
  - Sui prodotti senza la funzione No-Frost, potrebbero formarsi goccioline d'acqua e ghiaccio fino allo spessore di un dito sulla parete posteriore dello scomparto congelatore. Non pulirla; non applicare mai olio o sostanze simili.
  - Per pulire la superficie esterna del prodotto utilizzare un panno in micro-fibra leggermente inumidito. Spugne e altri tipi di panni per la pulizia potrebbero graffiare la superficie.
  - Per pulire tutti i componenti rimovibili durante la pulizia della superficie interna del prodotto, lavare questi componenti con una soluzione delicata composta da sapone, acqua e carbonato. Risciacquare e asciugare completamente. Evitare il contatto dell'acqua con i componenti dell'illuminazione e con il pannello di controllo.
  - Non utilizzare aceto, alcool o altri detergenti a base di alcool su nessuna delle superfici interne.
- Superfici esterne in acciaio inossidabile**  
Utilizzare un detergente non abrasivo per acciaio inossidabile e applicarlo con un panno morbido privo di pelucchi. Per lucidare, strofinare delicatamente la superficie con un panno in micro-fibra inumidito con acqua e utilizzare una pelle di camoscio per lucidare a secco. Seguire sempre le venature in acciaio inossidabile.
- Prevenzione dei cattivi odori**  
Il prodotto è stato realizzato con materiali che non emettono cattivi odori. Tuttavia, una conservazione inappropriata degli alimenti e una pulizia inadeguata delle superfici interne possono causare la formazione di odori.
- A tal fine consigliamo di pulire l'interno con acqua gassata ogni 15 giorni.
  - Conservare gli alimenti in contenitori sigillati, poiché i microrganismi derivanti da alimenti tenuti in contenitori non sigillati causano cattivi odori.
  - Non conservare alimenti scaduti e marci all'interno del frigorifero.
- Protezione delle superfici in plastica**  
L'olio rovesciato sulle superfici in plastica potrebbe danneggiare la superficie, e deve essere pulito immediatamente servendosi di acqua tiepida.

## 10 Guida alla risoluzione dei problemi

Leggere prima la sezione "Istruzioni di sicurezza"!

Controllare questo elenco prima di contattare il servizio clienti. Questa operazione vi consentirà di risparmiare soldi. Questo elenco contiene le lamentele più frequenti che non riguardano problemi a livello di manodopera o materiali. Alcune funzioni qui indicate potrebbero non essere valide per il prodotto in questione.

Se il problema persiste dopo aver seguito le istruzioni di questa sezione, contattare il fornitore o un Servizio di Assistenza autorizzato. Evitare in ogni caso di riparare il prodotto.

### Il frigorifero non funziona.

- La presa di corrente non è stata inserita correttamente. >>> Spingerla fino a inserirla completamente nella presa.
- Il fusibile collegato alla presa che alimenta il prodotto, oppure il fusibile principale, è bruciato. >>> Controllare il fusibile.

### Condensa sulla parete laterale dello scomparto raffreddatore (MULTI ZONE, COOL, CONTROL e FLEXI ZONE).

- La porta viene aperta troppo spesso. >>> Fare attenzione a non aprire troppo frequentemente la porta del prodotto.
- L'ambiente è troppo umido. >>> Non installare il prodotto in ambienti umidi.
- Gli alimenti contenenti liquidi sono conservati in contenitori non sigillati. >>> Tenere gli alimenti contenenti liquidi in contenitori sigillati.
- La porta del prodotto viene lasciata aperta. >>> Non tenere aperte a lungo le porte del frigorifero.
- Il termostato è impostato su una temperatura molto fredda. >>> Impostare il termostato su una temperatura adeguata.

### Il compressore non funziona.

- In caso di improvviso black out, o nel caso in cui la spina venga tolta e poi reinserita, la pressione del gas nel sistema di raffreddamento del prodotto non è equilibrata, il che fa scattare la protezione ter-

mica del compressore. Il prodotto si riavvierà dopo circa 6 minuti. Qualora il prodotto non si riavvii dopo questo periodo, contattare l'assistenza.

- La modalità di scongelamento è attiva. >>> Si tratta di una condizione normale per un frigorifero con funzione di sbrinamento completamente automatica. Lo sbrinamento avviene a intervalli periodici.
- Il prodotto non è collegato. >>> Verificare che il cavo di alimentazione sia collegato.
- L'impostazione della temperatura è sbagliata. >>> Selezionare l'impostazione di temperatura adeguata.
- Non c'è corrente. >>> Il prodotto continuerà a funzionare normalmente quando verrà ripristinata la corrente elettrica.

### Il rumore di funzionamento del frigorifero aumenta col passare del tempo.

- Le prestazioni del prodotto potrebbero variare a seconda delle variazioni della temperatura ambiente. Ciò è normale e non è un'anomalia di funzionamento.

### Il frigorifero funziona troppo spesso o troppo a lungo.

- Il nuovo prodotto potrebbe essere più grande di quello precedente. I prodotti più grandi funzioneranno più a lungo.
- La temperatura della stanza potrebbe essere alta. >>> Il prodotto funzionerà normalmente per lunghi periodi di tempo con temperature ambiente superiori.
- Il prodotto potrebbe essere stato di recente collegato alla corrente, oppure al suo interno potrebbero essere stati recentemente aggiunti vari alimenti. >>> Al prodotto servirà più tempo per raggiungere la temperatura impostata, se collegato di recente, oppure nel caso in cui siano stati collocati nuovi alimenti al suo interno. Ciò è normale.
- Forse di recente sono state introdotte nel frigorifero grandi quantità di alimenti caldi. >>> Non mettere alimenti caldi direttamente dentro al frigorifero.

- Le porte sono state aperte frequentemente o tenute aperte a lungo. >>> L'aria calda che si muove all'interno provocherà un funzionamento più prolungato. Non aprire le porte con troppa frequenza.
- Le porte del congelatore o del raffreddatore potrebbero essere socchiuse. >>> Controllare che le porte siano totalmente chiuse.
- Il prodotto potrebbe essere impostato su una temperatura troppo bassa. >>> Impostare la temperatura su un livello più alto e attendere che il prodotto raggiunga la temperatura desiderata.
- La rondella della porta del raffreddatore o del congelatore potrebbe essere sporca, usurata, rotta o non correttamente configurata. >>> Pulire o sostituire la guarnizione. Le rondelle consumate e usurate faranno funzionare il prodotto più a lungo per conservare la temperatura attuale.

**La temperatura del congelatore è molto bassa, ma la temperatura del raffreddatore è corretta.**

- La temperatura dello scomparto congelatore è impostata su un livello molto basso. >>> Impostare la temperatura dello scomparto congelatore su un livello più alto, quindi eseguire un controllo.

**La temperatura del raffreddatore è molto bassa, ma la temperatura del congelatore è corretta.**

- Impostare la temperatura dello scomparto raffreddatore su un livello più alto, quindi eseguire un controllo. >>> Impostare la temperatura dello scomparto raffreddatore su un livello più alto, quindi eseguire un nuovo controllo.

**Gli alimenti conservati nei cassetti dello scomparto raffreddatore sono congelati.**

- Impostare la temperatura dello scomparto raffreddatore su un livello più alto, quindi eseguire un controllo. >>> Impostare la temperatura dello scomparto raffreddatore su un livello più alto, quindi eseguire un nuovo controllo.

**La temperatura nello scomparto raffreddatore e congelatore è troppo alta.**

- La temperatura dello scomparto raffreddatore è impostata su un livello molto alto. >>> L'impostazione della temperatura dello scomparto raffreddatore ha un effetto sulla temperatura dello scomparto congelatore. Attendere che la temperatura delle parti interessate raggiunga il livello sufficiente modificando la temperatura degli scomparti del raffreddatore o del congelatore.
- Le porte sono state aperte frequentemente o tenute aperte a lungo. >>> Non aprire le porte con troppa frequenza.
- La porta potrebbe essere socchiusa. >>> Chiudere completamente la porta.
- Il prodotto potrebbe essere stato di recente collegato alla corrente, oppure al suo interno potrebbero essere stati recentemente aggiunti vari alimenti. >>> Non si tratta di un'anomalia. Al prodotto servirà più tempo per raggiungere la temperatura impostata, se collegato di recente, oppure nel caso in cui siano stati collocati nuovi alimenti al suo interno.
- Forse di recente sono state introdotte nel frigorifero grandi quantità di alimenti caldi. >>> Non mettere alimenti caldi direttamente dentro al frigorifero.

**Vibrazioni o rumore.**

- >>> Se il prodotto vibra quando viene spostato lentamente, regolare i supporti per equilibrarlo. Verificare inoltre che la superficie di appoggio sia sufficientemente resistente per supportarne il peso.
- Gli eventuali oggetti collocati sul prodotto potrebbero causare rumori. >>> Togliere gli eventuali elementi collocati sul prodotto.
- Il prodotto emette rumori, come ad esempio liquido che scorre, spruzzo, eccetera
- I principi operativi del prodotto prevedono flussi di liquido e di gas. >>> Ciò è normale e non è un'anomalia di funzionamento.

**C'è un rumore, simile a un soffio, che proviene dal prodotto.**

- Il prodotto si serve di una ventola per il processo di raffreddamento. Ciò è normale e non è un'anomalia di funzionamento.

**Si è formata condensa sulle pareti interne del prodotto.**

- Le temperature calde o umide aumenteranno la formazione di ghiaccio e la condensa. Ciò è normale e non è un'anomalia di funzionamento.
- Le porte sono state aperte frequentemente o tenute aperte a lungo. >>> Non aprire le porte con troppa frequenza; se la porta è aperta, chiuderla.
- La porta potrebbe essere socchiusa. >>> Chiudere completamente la porta.

**Si è formata condensa sulla superficie esterna del prodotto o fra le porte.**

- Le condizioni ambientali potrebbero essere umide, e ciò è normale. >>> La condensa si dissiperà alla riduzione dell'umidità.

**L'interno emette cattivi odori.**

- Il prodotto non è stato pulito regolarmente. >>> Pulire la superficie interna a intervalli regolari servendosi di spugna, acqua tiepida, e acqua gassata.
- Alcuni supporti e materiali da confezionamento potrebbero causare cattivi odori. >>> Servirsi di supporti confezionamento che non emettano cattivi odori.
- Gli alimenti sono stati collocati in supporti non sigillati. >>> Tenere gli alimenti in contenitori sigillati. I microrganismi possono diffondersi dagli alimenti non sigillati e causare cattivi odori.

- Rimuovere gli eventuali alimenti scaduti o rovinati dal prodotto.

**La porta non si chiude correttamente.**

- Le confezioni degli alimenti potrebbero bloccare la porta. >>> Trovare una nuova posizione per gli alimenti che bloccano le porte.
- Il prodotto non è in posizione verticale, appoggiato per terra. >>> Regolare i supporti per l'equilibrio del prodotto.
- La superficie non è piatta o resistente >>> Assicurarsi che la superficie sia piatta e sufficientemente resistente per sostenere il prodotto.

**Il cassetto frutta e verdura è inceppato.**

- Gli alimenti potrebbero entrare in contatto con la sezione superiore del cassetto. >>> Ri-organizzare gli alimenti nel cassetto.

**Temperatura sulla superficie del prodotto.**

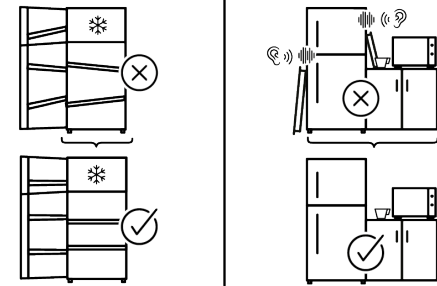
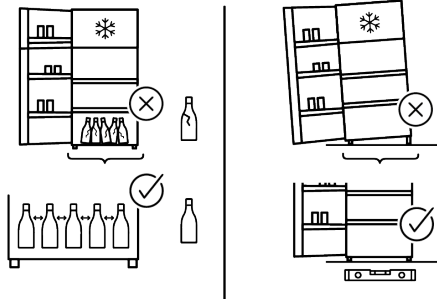
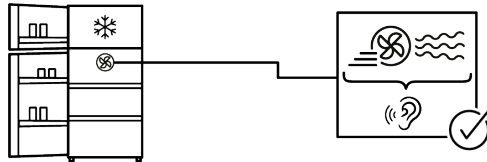
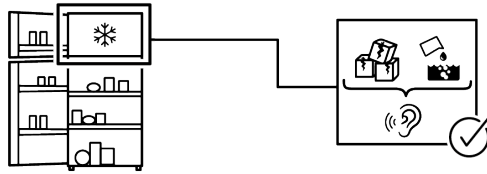
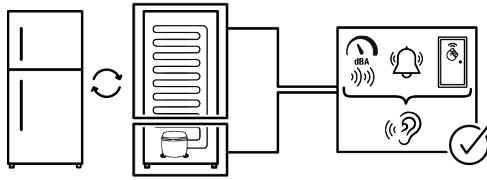
- Mentre il prodotto è in funzione, potrebbero generarsi temperature elevate tra le due porte, sui pannelli laterali e sulla griglia posteriore. Ciò è normale e non richiede interventi di manutenzione.

**La ventola continua a funzionare quando la porta è aperta.**

- La ventola potrebbe continuare a funzionare quando la porta del congelatore è aperta.

Se il problema persiste dopo aver seguito le istruzioni di questa sezione, contattare il fornitore o un Servizio di Assistenza autorizzato. Evitare in ogni caso di riparare il prodotto. Ciò è normale.





## Informazioni sulla classificazione dell'imballaggio

Scansiona il Qrcode che si trova sull'imballo del prodotto per trovare tutte le informazioni relative all'imballo e come gestirne il suo corretto smaltimento.

## ESONERO DA RESPONSABILITA'

---

Alcuni guasti (semplici) possono essere gestiti adeguatamente dall'utente finale senza che si verifichino problemi di sicurezza o di utilizzo non sicuro, a condizione che vengano eseguiti entro i limiti e in conformità alle seguenti istruzioni (vedere la sezione "Autoriparazione").

Pertanto, se non diversamente autorizzato nella sezione sotto "Autoriparazione", per evitare problemi di sicurezza, le riparazioni dovranno essere eseguite da riparatori professionisti registrati. Un riparatore professionale registrato è un riparatore professionale a cui il produttore ha concesso l'accesso alle istruzioni e all'elenco delle parti di ricambio di questo prodotto secondo i metodi descritti negli atti legislativi ai sensi della direttiva 2009/125/CE.

**Solo gli agenti di assistenza (cioè i riparatori professionali autorizzati) raggiungibili tramite il numero di telefono indicato nel manuale d'uso/scheda di garanzia o tramite il rivenditore autorizzato possono, tuttavia, fornire assistenza in base ai termini della garanzia. Pertanto, si ricorda che le riparazioni effettuate da riparatori professionisti (non autorizzati da) Whirlpool annulleranno la garanzia.**

### Autoriparazione

L'utente finale può eseguire l'autoriparazione dei seguenti pezzi di ricambio: maniglie, cerniere, vassoi, cestini e guarnizioni degli sportelli (è disponibile una lista aggiornata anche su <https://parts-selfservice.europeanappliances.com> partire dal 1° marzo 2021).

Inoltre, per garantire la sicurezza del prodotto e prevenire il rischio di gravi lesioni, l'autoriparazione menzionata deve essere eseguita seguendo le istruzioni contenute nel manuale d'uso per l'autoriparazione o disponibili su [\[peanappliances.com\]\(https://parts-selfservice.europeanappliances.com\). Per la sicurezza dell'utente, prima di tentare qualsiasi riparazione, staccare la spina del prodotto.](https://parts-selfservice.euro-</a></p></div><div data-bbox=)

I tentativi di riparazione da parte degli utenti finali per parti non incluse in tale elenco e/o non seguendo le istruzioni contenute nei manuali d'uso per l'autoriparazione o disponibili su <https://parts-selfservice.europeanappliances.com>, potrebbero causare problemi di sicurezza non imputabili a Whirlpool e invalideranno la garanzia del prodotto.

Pertanto, si raccomanda vivamente agli utenti finali di astenersi dal tentare di effettuare riparazioni che non rientrano nell'elenco dei pezzi di ricambio indicati, rivolgendosi in questi casi a riparatori professionali autorizzati o registrati. Al contrario, tali tentativi di riparazione da parte degli utenti finali potrebbero comportare problemi di sicurezza, danneggiare il prodotto e causare successivamente incendi, inondazioni, elettrocuzione e gravi lesioni personali.

A titolo esemplificativo, ma non esaustivo, le seguenti riparazioni devono essere affidate a riparatori professionisti autorizzati o registrati: compressore, circuito di raffreddamento, scheda principale, scheda inverter, scheda display, ecc.

Il produttore/venditore non può essere ritenuto responsabile in caso di mancata osservanza di quanto sopra da parte degli utenti finali.

La disponibilità dei pezzi di ricambio del frigorifero acquistato è di 10 anni. Durante questo periodo, i pezzi di ricambio originali saranno disponibili per il corretto funzionamento del frigorifero

La durata minima della garanzia del frigorifero acquistato è di 24 mesi.

Questo prodotto è dotato di una sorgente luminosa di classe energetica "G".

La sorgente luminosa in questo prodotto deve essere sostituita solo da un riparatore professionista.

Vedi anche

2 CLAUSE DE NON-RESPONSABILITÉ  
[ ] 60]

## Lexoni këtë manual në fillim!

### I nderuar klient

Ju falënderojmë që zgjodhët këtë produkt .

Ju lutemi regjistroni produktet tuaja në [www.register10.eu](http://www.register10.eu)






Dëshirojmë që të arrini efikasitetin maksimal nga ky produkt i cilësisë së lartë i cili është prodhuar me teknologjinë më të përparuar. Për ta bërë këtë, para se ta përdorni këtë produkt lexoni me kujdes këtë manual dhe çdo dokument tjetër shoqërues.

Kushtojuni vëmendje të gjitha informacioneve dhe paralajmërimeve në manualin e përdorimit. Në këtë mënyrë do të mbronni veten dhe produktin tuaj nga rreziqet që mund të ndodhin. Ruajeni manualin e përdorimit. Nëse ia jepni këtë produkt dikujt tjetër, jepini edhe këtë manual bashkë me produktin.

**Në këtë manual përdorimi dhe në produkt janë përdorur simbolet vijuese:**



**Lexoni manualin e përdorimit.**

 <b>ENERG</b>  	Informacionet e modelit të ruajtura në bazën e të dhënave të produktit mund të arrihen duke hyrë në faqen e mëposhtme të internetit dhe duke kërkuar për identifikuesin e modelit (*) që gjendet në etiketën e energjisë.
<b>SUPPLIER'S NAME</b>	<b>MODEL IDENTIFIER</b> → (*)
	
	<a href="https://eprel.ec.europa.eu/">https://eprel.ec.europa.eu/</a>



<b>1</b>	<b>Udhëzimet për mjedisin .....</b>	<b>94</b>
1.1	Asgjësimi i materialeve të paketimit .....	94
<b>2</b>	<b>Frigoriferi juaj .....</b>	<b>95</b>
<b>3</b>	<b>Montimi .....</b>	<b>95</b>
3.1	Lidhja elektrike.....	98
<b>4</b>	<b>Përgatitja .....</b>	<b>98</b>
4.1	Çfarë të bëni për kursimin e energjisë.....	98
4.2	Përdorimi për herë të parë .....	99
4.3	Klasa e klimës dhe përkufizimet ..	99
<b>5</b>	<b>Vënia në punë e produktit .....</b>	<b>99</b>
<b>6</b>	<b>Paneli i kontrollit të produktit .....</b>	<b>100</b>
<b>7</b>	<b>Përdorimi i produktit tuaj .....</b>	<b>102</b>
7.1	Ruajtja e ushqimit në ndarjen e ngrirësit dhe ftohësit .....	102
7.2	Ndërrimi i llambës së ndriçimit ....	104
7.3	Sinjalizimi për hapjen e derës.....	104
<b>8</b>	<b>Karakteristikat e produktit.....</b>	<b>105</b>
8.1	Zona e ruajtjes së akullit .....	105
8.2	Mbajtësja e vezëve .....	107
8.3	Koshi i perimeve .....	107
8.4	Zona e ruajtjes së ftohtë për produktet e bulmetit .....	107
8.5	Koshi i perimeve me kontroll të lagështisë.....	107
8.6	Lidhja e ujit.....	108
<b>9</b>	<b>Mirëmbajtja dhe pastrimi .....</b>	<b>113</b>
<b>10</b>	<b>Zgjidhja e problemeve.....</b>	<b>115</b>

# 1 Udhëzimet për mjedisin

---

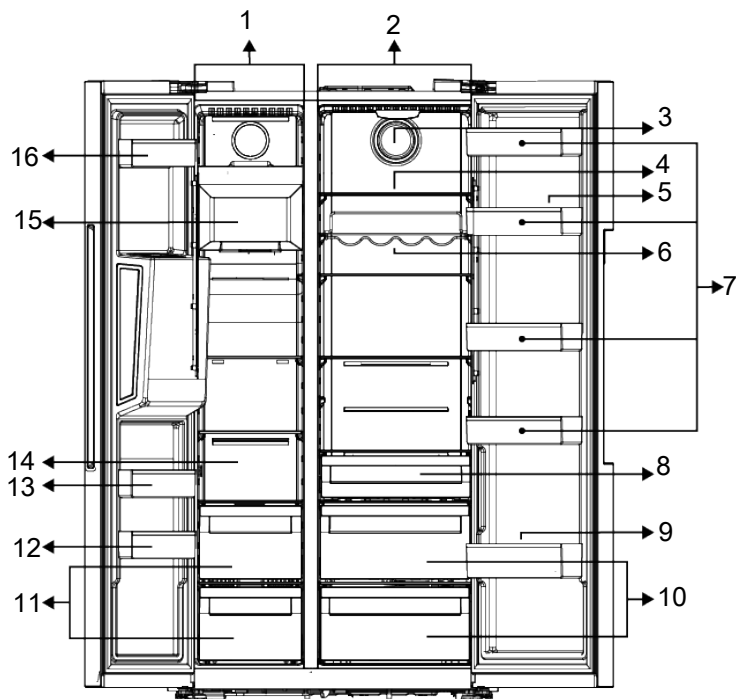
## 1.1 Asgjësimi i materialeve të paketimit

Materialet e paketimit janë të riciklueshme dhe janë shënuar me simbolin e riciklimit



Prandaj, pjesët e ndryshme të paketimit duhet të hidhen me përgjegjësi dhe në përputhje të plotë me rregulloret nga autoritetet lokale, të cilat rregullojnë asgjësimin e mbetjeve.

## 2 Frigoriferi juaj



SQ

- |   |   |
|---|---|
| 1 Ndarja e ngrirësit                          | 2 Ndarja e ftohësit   |
| 3 Ventilatori                                 | 4 *Raftet prej xhami të ndarjes së ftohësit                     |
| 5 Mbajtësja e vezëve                          | 6 *Rafti i shisheve   |
| 7 *Raftet e derës së ndarjes së ftohësit      | 8 *Koshi i bulmetit (ruajtja e ftohtë)                          |
| 9 *Rafti i shisheve                           | 10 *Ndarjet e perimeve  |
| 11 Ndarjet për ruajtjen e ushqimeve të ngrira | 12 *Raftet e derës së ndarjes së ngrirësit                      |
| 13 *Raftet e derës së ndarjes së ngrirësit    | 14 Ndarjet e ruajtjes së ushqimeve të ngrira dhe rafti i xhamit |
| 15 *Aparati i akullit                         | 16 *Raftet e derës së ndarjes së ngrirësit                      |

**\*Opsionale:** Figurat në këtë manual përdorimi janë skematike dhe mund të mos përputhen saktësisht me produktin tuaj.

Nëse produkti juaj nuk i përfshin pjesët përkatëse, informacionet kanë lidhje me modele të tjera.

## 3 Montimi

### Vendi i duhur për montimin

Në fillim lexoni "Udhëzimet për sigurinë"!

Kontakttoni me Shërbimin e autorizuar për montimin e produktit. Për ta përgatitur produktin për montim, shikoni

informacionet në manualin e përdorimit dhe sigurohuni që shërbimet elektrike dhe të ujit të jenë siç kërkohet. Nëse jo, telefononi një elektrikist ose hidraulik për të rregulluar lidhjet e rrjetit publik sipas nevojës.

- Kabloja e dëmtuar elektrike duhet të zëvendësohet nga Shërbimi i autorizuar.
- Kur vendosni dy pajisje ftohëse ngjitur me njëra-tjetrën, lini të paktën 4 cm distancë mes dy njësive.
- Mbajeni produktin larg dritës së drejtpërdrejtë të diellit dhe në një vend të thatë.
- Produkti juaj kërkon një qarkullim të përshtatshëm të ajrit për të funksionuar me efikasitet. Nëse e vendosni produktin në një vend të futur, mos harroni të lini të paktën 5 cm hapësirë mes produktit dhe tavanit, murit të pasmë dhe mureve anësore. Kontrolloni nëse elementi mbrojtës i pasmë për distancën me murin është i pranishëm në vendin përkatës (nëse është i përfshirë me produktin). Nëse elementi nuk është i disponueshëm ose nëse ka humbur apo ka rënë, vendoseni produktin në mënyrë që të lini të paktën 5 cm hapësirë mes sipërfaqes së pasme të produktit dhe murit të dhomës. Hapësira në pjesën e pasme është e rëndësishme për një funksionim efikas të produktit.
- Nëse hapësira e derës është shumë e ngushtë për kalimin e produktit, hiqeni derën dhe kthejeni produktin në anë; nëse kjo nuk funksionon, kontaktoni me shërbimin e autorizuar.
- Vendoseni produktin në një sipërfaqe të rrafshët për të shmangur dridhjet.
- Vendoseni produktin të paktën 30 cm larg nga ngrohësi, soba ose burime të ngjashme të nxehtësisë dhe të paktën 5 cm larg nga furrat elektrike.
- Mos e ekspozoni produktin ndaj dritës së drejtpërdrejtë të diellit dhe mos e mbani në ambiente me lagështi.

- Para transportit ose përdorimit, mos e hapni kurrë kapakun e panelit të kontrollit në produkt. Rrezik për goditje elektrike dhe zjarr!
- Kompania jonë nuk do të mbajë përgjegjësi për asnjë dëmtim të shkaktuar nga përdorimi pa lidhjen e tokëzimit dhe pa lidhjen elektrike në përputhje me rregulloret kombëtare.
- Spina e kordonit elektrik duhet të jetë lehtësisht e arritshme pas montimit.

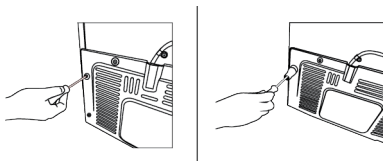
### **Paralajmërim për sipërfaqe të nxehtë!**

Faqet anësore të produktit tuaj janë të pajisura me tuba me lëng ftohës për përmirësimin e sistemit të ftohjes. Në këto sipërfaqe mund të qarkullojë lëng me presion të lartë që shkakton nxehtësi në faqet anësore. Kjo është normale dhe nuk kërkon t'i bëhet ndonjë shërbim. Kini kujdes kur prekni këto zona.

### **Montimi i kunjave plastike**

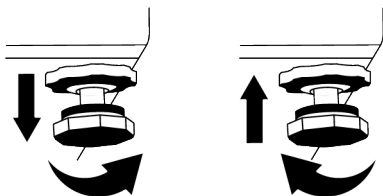
Përdorni kunjat plastike të përfshira me produktin për të siguruar një hapësirë të mjaftueshme për qarkullimin e ajrit midis produktit dhe murit.

- Hiqni vidat në produkt dhe montoni vidat e përfshira me kunjat.
- Vendosni 2 kunjat plastike në kapakun e ventilimit siç tregohet në figurë.



### **Rregullimi i këmbëve**

Nëse produkti nuk është në ekuilibër, rregulloni mbështetëset e përparme të rregullueshme duke i rrotulluar ato djathtas ose majtas.

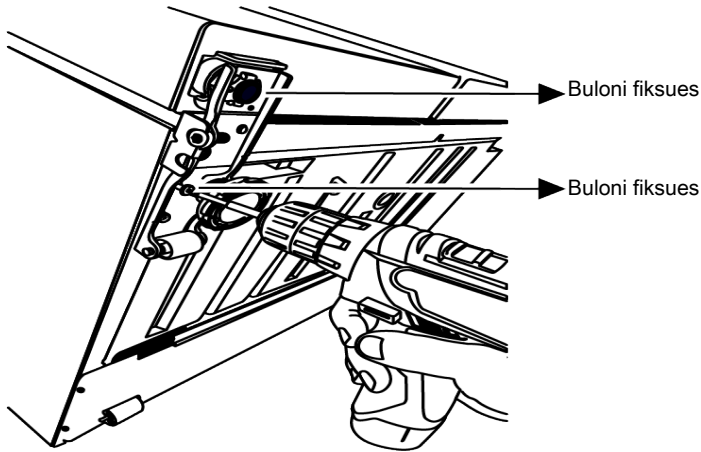




**Për t'i përshtatur dyert vertikalisht,**

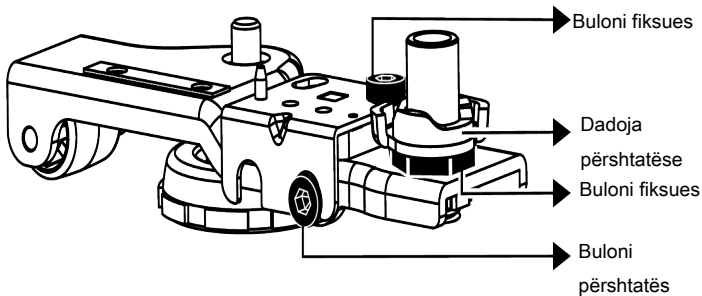
Lironi dadon fiksuese që ndodhet poshtë. Vidhosni dadon përshtatëse (CW/CCW) në përputhje me pozicionin e derës. Shtërëngoni bulonin e dados fiksuese për pozicionin përfundimtar.

SQ



**Për t'i përshtatur dyert horizontalisht,**  
Lironi vidën fiksuese në pjesën e poshtme  
Lironi dadon fiksuese në pjesën e sipërme.  
Vidhosni bulonin përshtatës (CW/CCW)

anash në përputhje me pozicionin e derës.  
Shtërëngoni bulonin fiksues në krye për  
pozicionin përfundimtar Shtërëngoni vidën  
fiksues në pjesën e poshtme



### 3.1 Lidhja elektrike



**PARALAJMËRIM:** Mos përdorni kablo zgjatuese ose priza të shumëfishta në lidhjen elektrike.



**PARALAJMËRIM:** Kabloja e dëmtuar elektrike duhet të zëvendësohet nga Shërbimi i autorizuar.



Paralajmërim për sipërfaqe të nxehtë!  
Faqet anësore të produktit tuaj janë të pajisura me tuba me lëng ftohës për përmirësimin e sistemit të ftohjes. Në këto sipërfaqe mund të qarkullojë lëng me presion të lartë që shkakton nxehtësi në faqet anësore. Kjo është normale dhe nuk kërkon t'i bëhet ndonjë shërbim. Kini kujdes kur prekni këto zona.



Para transportit ose përdorimit, mos e hapni kurrë kapakun e panelit të kontrollit në produkt. Rrezik për goditje elektrike dhe zjarr!

Kompania jonë nuk do të mbajë përgjegjësi për asnjë dëmtim të shkaktuar nga përdorimi pa lidhjen e tokëzimit dhe pa lidhjen elektrike në përputhje me rregulloret kombëtare.

Spina e kordonit elektrik duhet të jetë lehtësisht e arritshme pas montimit.

## 4 Përgatitja

Në fillim lexoni "Udhëzimet për sigurinë"!

### 4.1 Çfarë të bëni për kursimin e energjisë

- Kjo pajisje ftohëse nuk është projektuar që të përdoret si pajisje inkaso.
- Kur ngarkoni ushqimet, lini hapësirë të mjaftueshme brenda frigoriferit për të lejuar qarkullimin e mjaftueshëm të ajrit për ftohje.
- Duke qenë se ajri i nxehtë dhe i lagësht nuk depërton drejtpërdrejt në produktin tuaj kur dyert nuk hapen, produkti përshtatet sa më mirë për të arritur kushte të tilla që janë të mjaftueshme për të mbrojtur ushqimin. Në rrethana të tilla, funksionet dhe pjesët përbërëse si kompresori, ventilatori, ngrohësi, shkrirësi, ndriçimi, ekrani, etj. do të funksionojnë sipas nevojave duke konsumuar nivelin minimal të energjisë.
- Në rast se ka disa opsione, raftet prej xhami duhen vendosur në mënyrë që daljet e ajrit në murin e pasmë të mos bllokohen dhe, mundësisht, në një mënyrë që daljet e ajrit të mbeten nën raftin prej xhami. Ky kombinim mund të ndihmojë në përmirësimin e shpërndarjes së ajrit dhe të efikasitetit të energjisë.
- Rekomandohet shumë përdorimi i sirtarit të mëposhtëm për ruajtjen e artikujve.
- Për performancë optimale, ngrirja e shpejtë mund të përdoret (nëse ofrohet), 24 orë para vendosjes së ushqimeve të freskëta në ngrirje.
- Në shumicën e rasteve, 24 orë janë të mjaftueshme për funksionin e ngrirjes së shpejtë pasi ushqimet e freskëta vendosen në frigorifer. Pas ca kohësh, funksioni i ngrirjes së shpejtë do të çaktivizohet automatikisht.
- Kur ngrini një sasi të vogël ushqimesh, funksioni i ngrirjes së shpejtë mund të çaktivizohet pas njëfarë kohe për të siguruar kursimin e energjisë.

- Ushqimet duhet të ruhen me anë të sirtarëve në ndarjen e ftohësit për të siguruar kursimin e energjisë dhe për të mbrojtur ushqimet në kushte më të mira.

## 4.2 Përdorimi për herë të parë

Para se ta përdorni produktin, sigurohuni që të bëni përgatitjet e duhura në përputhje me udhëzimet në pjesët “Udhëzimet për sigurinë” dhe “Montimi”.

- Prisi të paktën 2 orë përpara se të përdorni produktin, për të siguruar efikasitetin e plotë të ftohjes.
- Mbajeni produktin në punë pa vendosur asnjë ushqim brenda për 6 orë dhe dera e produktit duhet të mbahet sa më shumë e mbyllur.
- Ndryshimi i temperaturës i shkaktuar nga hapja dhe mbyllja e derës gjatë përdorimit të produktit normalisht mund të sjellë kondensim në raftet e derës/trupit dhe tek enët prej qelqi të vendosura në produkt.
- Kur të aktivizohet kompresori do të dëgjoni një zhurmë. Është normale që produkti të bëjë zhurmë edhe nëse kompresori nuk është në punë pasi lëngjet dhe gazi mund të ngjishen në sistemin e ftohjes.

## 5 Vënia në punë e produktit

Në fillim lexoni “Udhëzimet për sigurinë”!

- Produkti duhet të përdoret vetëm për ruajtjen e ushqimeve.
- Mbylleni valvulën e ujit nëse do të jeni larg shtëpisë (p.sh. me pushime) dhe nuk do ta përdorni Icematic ose shpërndarësin e ujit për një periudhë të gjatë kohore. Në rast të kundërt mund të ketë rrjedhje uji.

- Është normale që anët e përparme të produktit të jenë të ngrohta. Këto zona janë të projektuara që të ngrohen për të parandaluar kondensimin
- Në disa modele, paneli i treguesve fiket automatikisht 1 minutë pas mbylljes së derës. Ai do të riaktivizohet kur të hapet dera ose kur të shtypet një buton.

## 4.3 Klasa e klimës dhe përkufizimet

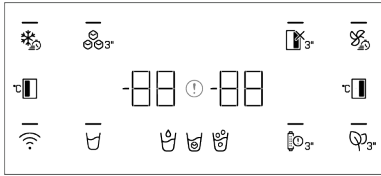
Referojuni klasës së klimës në tabelën e vlerave nominale të pajisjes suaj. Një nga informacionet e mëposhtme zbatohet për pajisjen tuaj sipas klasës së klimës.

- **SN:** Klimë mesatare afatgjatë: Kjo pajisje ftohëse është projektuar për përdorim në temperatura ambienti nga 10°C deri në 32°C.
- **N:** Klimë mesatare: Kjo pajisje ftohëse është projektuar për përdorim në temperatura ambienti nga 16°C deri në 32°C.
- **ST:** Klimë subtropikale: Kjo pajisje ftohëse është projektuar për përdorim në temperatura ambienti nga 16°C deri në 38°C.
- **T:** Klimë tropikale: Kjo pajisje ftohëse është projektuar për përdorim në temperatura ambienti nga 16°C deri në 43°C.

## Heqja e produktit nga priza

- Hiqni ushqimet për të shmangur erërat e këqija,
- Prisi që akulli të shkrijë, pastroni pjesën e brendshme dhe lëreni të thahet, lërin dyert të hapura për të shmangur dëmtimin e pjesëve të brendshme plastike të trupit të pajisjes.

## 6 Paneli i kontrollit të produktit



Në fillim lexoni “Udhëzimet për sigurinë”!  
Funksionet zanore dhe pamore të panelit të treguesve do t’ju ndihmojnë në përdorimin e frigoriferit tuaj.

\*Opsionale: Funksionet e paraqitura janë opsionale, mund të ketë ndryshime në formë dhe vendndodhje për funksionet që gjenden në panelin tregues të pajisjes suaj.

### Butoni i ngrirjes së shpejtë

Kur shtypet butoni i ngrirjes së shpejtë, ndriçohet drita LED te butoni dhe funksioni i ngrirjes së shpejtë aktivizohet.

Temperatura e ndarjes së ngrirësit caktohet në -27 gradë celsius. Shtypni përsëri butonin për ta anuluar funksionin. Funksioni i ngrirjes së shpejtë do të anulohet automatikisht. Për të ngrirë një sasi të madhe ushqimesh të freskëta, shtypni butonin e ngrirjes së shpejtë para se të vendosni ushqimet në ndarjen e ngrirësit.

### Butoni i aktivizimit/çaktivizimit të Icematic

Shtypja e këtij butoni për 3 sekonda aktivizon procesin e prodhimit të akullit dhe drita LED te butoni do të ndizet. Shtypja e butonit përsëri për 3 sekonda anulon procesin e krijimit të akullit dhe kubat e akullit që janë krijuar më parë mund të përdoren edhe nëse funksioni është anuluar.

### Treguesi i statusit të gabimit

Ky tregues duhet të jetë aktiv kur frigoriferi nuk mund të kryejë ftohje siç duhet ose në rast të ndonjë gabimi të sensorit. Në treguesin e temperaturës së ndarjes së ngrirësit do të shfaqet simboli “E” dhe në

treguesin e temperaturës së ndarjes së ftohësit duhet të shfaqen shifra të tilla si 1,2,3...

Këto shifra i japin informacione shërbimit të autorizuar për gabimin që ka ndodhur. Mund të shfaqet pikëçuditja kur vendosni ushqim të ngrohtë në ndarjen e ngrirësit ose e mbani derën hapur për një periudhë të gjatë. Ky nuk është defekt, ky paralajmërim do të hiqet kur ushqimi të ftohet ose kur shtypet çfarëdo butoni.

### Butoni i funksionit joaktiv (të pushimeve) të ndarjes së ftohësit

Për të aktivizuar funksionin e pushimeve, shtypni butonin për 3 sekonda.

Modaliteti i pushimeve do të aktivizohet dhe do të ndizet drita LED në buton. Simboli “-” do të shfaqet në treguesin e temperaturës së ndarjes së ftohësit dhe ndarja e ftohësit nuk e kryen në mënyrë aktive ftohjen. Nuk duhet të mbani ushqime në ndarjen e ftohësit kur ky funksion është i aktivizuar. Ndarjet e tjera vazhdojnë të ftohin sipas temperaturave të caktuara më parë. Mbani të shtypur këtë buton për 3 sekonda për të anuluar këtë funksion.

### Butoni i ftohjes së shpejtë

Kur shtypni butonin e ftohjes së shpejtë, do të ndriçohet drita LED te butoni dhe funksioni i ftohjes së shpejtë do të aktivizohet. Temperatura e ndarjes së ftohësit caktohet në 1 gradë celsius. Shtypni përsëri butonin për ta anuluar funksionin. Funksioni i ngrirjes së shpejtë do të anulohet automatikisht kur të kryhet procesi i ftohjes.

### Butoni i caktimit të temperaturës së ndarjes së ftohësit

Lejon caktimin e temperaturës për ndarjen e ftohësit. Shtypja e këtij butoni do të bëjë që temperatura e ndarjes së ftohësit të mund të caktohet në 8,7,6,5,4,3,2 dhe 1 gradë celsius.

### Butoni i modulit të aromatizuesit

Shtypni këtë buton për 3 sekonda për të aktivizuar/çaktivizuar veçorinë e aromatizuesit. Kur veçoria e aromatizuesit është aktive, do të ndizet drita LED në butonin përkatës. Kur veçoria është aktive, moduli i aromatizuesit do të punojë në mënyrë periodike.

### Butoni i paralajmërimit për ndërrimin e filtrit

Filtri i hyrjes së ujit në frigorifer duhet të zëvendësohet në intervale të rregullta. Frigoriferi juaj do ta llogarisë këtë kohë automatikisht. Kur jetëgjatësia e filtrit ka skaduar, drita LED në butonin paralajmërues të ndërrimit të filtrit do të ndizet. Pas ndërrimit të filtrit, mbani të shtypur butonin për 3 sekonda për ta çaktivizuar dritën LED të paralajmërimit për ndërrimin e filtrit.

### Butoni i zgjedhjes së ujit, kubave të

akullit, akullit të shtypur 

Ky buton ju lejon të ndërroni mes zgjedhjeve të ujit, kubave të akullit dhe akullit të shtypur. Kur të aktivizoni funksionin, drita në buton do të mbetet e ndezur.

### Butoni i lidhjes pa tel

Ky buton përdoret për të bërë një lidhje pa tel me produktin tuaj nëpërmjet aplikacionit HomeWhiz.

Kur butoni shtypet për 3 sekonda, drita LED në buton pulson ngadalë (me intervale prej 0,5 sekondash). Në këtë mënyrë në produkt aktivizohet rrjeti i shtëpisë.

Pasi arrihet lidhja pa tel me produktin, drita LED në buton ndriçon përgjithmonë.

Kur të vendoset lidhja fillestare, mund ta aktivizoni/çaktivizoni lidhjen duke shtypur shkurtimisht këtë buton. Drita LED në buton do të pulsojë shpejt (me intervale prej 0,2 sekondash) derisa pajisja juaj të lidhet. Kur lidhja është aktive, drita LED do të qëndrojë e ndezur.

Nëse lidhja nuk mund të vendoset për një periudhë të gjatë, kontrolloni parametrat e lidhjes dhe referojuni pjesës "Zgjidhja e problemeve" që gjendet në manualin e përdorimit.

Për lidhjen pa tel do të përdoret aplikacioni HomeWhiz. Hapat e instalimit përshkruhen në aplikacion gjatë instalimit. Mund të futeni në aplikacion duke lexuar kodin QR që ndodhet te etiketa HomeWhiz në produkt. Aplikacioni ofrohet nëpërmjet App Store për pajisjet IOS dhe nëpërmjet Play Store për pajisjet Android.

Vizitoni adresën <https://www.homewhiz.com/> për informacione të detajuara.

### Butoni i përcaktimit të temperaturës së ndarjes së ngrirësit

Përcaktimi i temperaturës bëhet për ndarjen e ngrirësit Shtypja e këtij butoni do të bëjë që temperatura e ndarjes së ngrirësit të mund të caktohet në -16,-17,-18,-19,-20,-21,-22 gradë celsius.

## PARALAJMËRIM



**Temperatura mund të caktohet në 1-8°C për ndarjen e freskisë dhe nga -24 deri në -15°C për ndarjen e ngrirësit. Vlerat e rregullueshme të temperaturës mund të variojnë, duke qenë brenda këtyre intervaleve, sipas specifikimeve të produktit.**

## 7 Përdorimi i produktit tuaj

### 7.1 Ruajtja e ushqimit në ndarjen e ngrirësit dhe ftohësit

#### Ruajtja e ushqimeve në ndarjen e ngrirësit

- Mund të aktivizoni funksionin e ngrirjes së shpejtë 4-6 orë para funksionit të ngrirjes dhe të kryeni një ftohje më të shpejtë.
- Lërinë ushqimet e nxehta të arrijnë temperaturën e dhomës përpara se t'i futni në frigorifer.
- Ushqimet që do të ngrini duhet të ndahen në racione sipas madhësisë që do të konsumohet, dhe duhen të ngrihen në pako të ndara.
- Rekomandohet paketimi i ushqimeve përpara se t'i vendosni në frigorifer.
- Për të parandaluar skadimin e kohës së ruajtjes, shkruani datën e ngrirjes, kohën dhe emrin e produktit në paketim sipas kohëzgjatjes së ruajtjes së ushqimeve të ndryshme.
- Konsumoni shpejt ushqimet që keni shkruar. Ushqimet e shkruara nuk mund të ngrihen përsëri nëse nuk janë gatuar. Nuk është e sigurt të konsumoni ushqime të freskëta të ngrira pa i gatuar pasi të jenë shkruarë.
- Kur ngrini ushqime të freskëta, mos i vini në kontakt me ushqime tashmë të ngrira. Në rast të kundërt, ushqimet e ngrira do të shkrihen.

#### Ruajtja e ushqimeve që shiten të ngrira

- Kur ruani ushqimet, ndiqni periudhat kohore të specifikuara në këto udhëzime.
- Për të mbrojtur cilësinë e ushqimeve, mbajeni sa më të shkurtër intervalin kohor ndërmjet blerjes dhe ruajtjes.
- Blini ushqime të ngrira që ruhen në -18 °C ose temperatura më të ulëta.
- Shmangni blerjen e ushqimeve paketimet e të cilave janë të mbuluara me akull etj. Kjo do të thotë se produkti mund të jetë

shkruar pjesërisht dhe të jetë ngrirë përsëri. Temperatura ndikon në cilësinë e ushqimeve.

- Mos e kaloni kohën e ruajtjes të rekomanduar nga prodhuesi i ushqimeve. Hiqni nga ngrirja vetëm aq sa ushqime ju nevojiten.
- Me përjashtim të rasteve të rrethanave ekstreme në mjedis, nëse produkti juaj (në tabelën e vlerave të caktuara të rekomanduara) është vendosur në vlerat e përcaktuara, ushqimet e ruajnë freskinë e tyre për një kohë më të gjatë si në ndarjen e produkteve të freskëta, ashtu edhe në ndarjen e ngrirësit.
- Nëse ndarja e ushqimeve të freskëta është vendosur në një temperaturë më të ulët, frutat dhe perimet e freskëta mund të jenë pjesërisht të ngrira.

#### Ngrirja e shpejtë

1. Aktivizoni funksionin e ngrirjes së shpejtë 24 orë para se të vendosni ushqimet e freskëta.
2. Pas 24 orësh pas shtypjes së butonit, vendosini ushqimet që dëshironi të ngrini në raftin e tretë ose të katërt me kapacitet më të lartë ngrirës.
3. Pasi të aktivizohet funksioni i ngrirjes së shpejtë, ai anulohet automatikisht pas një periudhe kohe.

#### Detajet e ngrirësit

Sipas standardeve IEC 62552, në temperaturën e dhomës 25°C, ngrirësi duhet të ketë kapacitetin për të ngrirë 4,5 kg ushqime në -18°C ose në temperatura më të ulëta në 24 orë për çdo 100 litra vëllim të ndarjes së ngrirësit.

Produktet ushqimore mund të ruhen për periudha të gjata vetëm në -18 °C ose në temperaturë më të ulët.

Mund t'i mbani ushqimet të freskëta për muaj të tërë (në ngrirës ose në temperatura nën -18°C).

Produktet ushqimore që do të ngrini nuk duhet të bien në kontakt me ushqimet e ngrira në brendësi për të shmangur shkriren e pjesshme.

Ziejini perimet dhe filtrojeni ujin për të zgjatur kohën e ruajtjes në ngrirje. Vendosini ushqimet në paketime të izoluara nga ajri pas filtrimit dhe vendosini në ngrirës. Bananet, domatet, sallata, selinoja, vezët e ziera, patatet dhe ushqime të tjera të ngjashme nuk duhet të ngrihen. Në rast se këto ushqime ngrijnë, kjo do të ketë ndikim negativ vetëm në vlerat ushqimore dhe cilësitë e shijeve. Nuk bëhet fjalë për kalbjen që do të kërcënonte shëndetin e njeriut.

### Vendosja e ushqimeve

**Raftet e ndarjes së ngrirës:** Ushqimet e ndryshme të ngrira si mishi, peshku, akullorja, perimet, etj.

**Raftet e ndarjes së ftohësit:** Ushqimet në kupa, pjata me kapak dhe kuti me kapak, vezë (në kuti të mbyllura)

### Raftet e dyerve të ndarjes së ftohësit:

Ushqime ose pije të vogla dhe të paketuara

**Ndarja e perimeve:** Perime dhe fruta

**Ndarja e ushqimeve të freskëta:** Ushqimet e gatshme (ushqimet për mëngjes, produktet e mishit që do të konsumohen së shpejti)

### Ruajtja e ushqimeve në ndarjen e ftohësit

- Temperaturat e ndarjes rriten dukshëm nëse dera e ndarjes hapet dhe mbyllet shpesh dhe mbahet e hapur për një kohë të gjatë, kjo mund të zvogëlojë jetëgjatësinë e ushqimeve dhe të shkaktojë prishjen e ushqimeve.
- Për të mos shkaktuar ndryshime të erës dhe shijes, ushqimet duhet të ruhen në enë të mbyllura.
- Mos ruani shumë ushqime në frigorifer. Për të arritur një ftohje më të mirë dhe homogjene, vendosini ushqimet veçmas në mënyrë që ajri i ftohtë të mund të qarkullojë nëpër to.

- Siguroni qarkullimin e ajrit duke lënë një hapësirë midis ushqimeve dhe murit të brendshëm. Nëse i mbështetni ushqimet pas murit të pasmë, ushqimet mund të ngrijnë.
- Lëri ushqimet e nxehta të gatuar të arrijnë temperaturën e dhomës përpara se t'i futni në frigorifer. Më pas, mund t'i vendosni gatimet e vakëta në raftet e poshtme të frigoriferit tuaj. Mos i vendosni gatimet e vakëta pranë ushqimeve që mund të prishen lehtë.
- Shkrijini ushqimet tuaja të ngrira në ndarjen e ushqimeve të freskëta. Në këtë mënyrë mund ta ftohni ndarjen e ushqimeve të freskëta duke përdorur ushqimet e ngrira dhe të kurseni energji.
- Ruajtja e frutave tropikale të papjekura (mango, varietetet e bostaneve, papaja, banane, ananas) në frigorifer mund ta shpejtojë procesin e pjekjes. Kjo nuk rekomandohet sepse do të sjellë një kohë më të shkurtër ruajtjeje.
- Qepët, hudhurat, xhenxhefilët dhe perimet e tjera me rrënjë duhet t'i ruani në një dhomë të errët dhe të ftohtë, jo në frigorifer.
- Nëse vëreni se një ushqim është prishur në frigorifer, hidheni atë dhe pastroni aksesorët që kanë rënë në kontakt me të.
- Për të ftohur shpejt ushqimet si supat dhe gjellët që gatuhen në tenxhere të mëdha, mund t'i vendosni në frigorifer duke i ndarë në enët e tyre të cekëta.
- Mos vendosni ushqime të paketuara pranë vezëve.
- Mbajini frutat dhe perimet veçmas dhe ruani çdo varietet së bashku (p.sh. mollët me mollët, karotat me karotat)
- Nxirrni perimet jeshile nga qesja plastike dhe vendosini në frigorifer pasi t'i mbështillni me një peshqir letre ose leckë tharjeje. Nëse i lani këto lloj ushqimesh përpara se t'i vendosni në frigorifer, mos harroni t'i thani.

- Mund të krijoni një mjedis të lagësht dhe të siguron një rrjedhë ajri duke i mbajtur frutat dhe perimet, që kanë prirjen të thahen, në qese plastike të shpuara ose të pambyllura.
- Me përjashtim të rasteve të rrethanave ekstreme në mjedis, nëse produkti juaj (në tabelën e vlerave të caktuara të

rekomanduara) është vendosur në vlerat e përcaktuara, ushqimet e ruajnë freskinë e tyre për një kohë më të gjatë si në ndarjen e produkteve të freskëta, ashtu edhe në ndarjen e ngrirësit.

### **Ruajini ushqimet e ndryshme në vende të ndryshme sipas karakteristikave të tyre:**

Ushqimi	Vendndodhja
Vezë	Rafti i derës
Produktet e bulmetit (gjalpë, djathë)	Nëse ka, ndarja zero gradë (për ushqimet e mëngjesit)
Frutat, perimet dhe perimet jeshile	Ndarja e fruta-perimeve, ndarja e freskisë ose Ndarja EverFresh+ (nëse ka)
Mish i freskët, mish shpendësh, peshk, sallam etj. Ushqime të gatuar	Nëse ka, ndarja zero gradë (për ushqimet e mëngjesit)
Ushqime gati për t'u shërbyer, produkte të paketuara, ushqime të konservuara dhe turshi	Raftet e sipërme ose raftet e derës
Pije, shishe, erëza dhe ushqime të shpejta	Rafti i derës

### **Tabela e vlerave të caktuara të rekomanduara**

Përcaktimi i ndarjes së ngrirësit	Përcaktimi i ndarjes së frigoriferit	Shënime
-22°C	4°C	Ky është cilësimi i parazgjedhur i rekomanduar. Ky cilësim rekomandohet nëse temperatura e ambientit është nën 30°C.
-22°C ose më i ftohtë	4°C	Këto cilësime rekomandohen kur temperaturat e ambientit kalojnë 30°C.
Ngrirja e shpejtë	4°C	Përdorni kur dëshironi të ngrini ushqimet për një kohë të shkurtër. Kur të mbarojë procesi, cilësimet e produktit do të rikthehen në pozicionin e mëparshëm.
-18°C ose më i ftohtë	2°C	Përdorni këto cilësime nëse besoni se ndarja e ftohësit nuk është e ftohtë sa duhet për shkak të temperaturës së ambientit ose nga hapja e shpeshtë e derës.

## **7.2 Ndërrimi i llambës së ndriçimit**

Telefononi shërbimin e autorizuar kur do të ndërroni llambën/dritën LED që përdoret për ndriçimin në frigoriferin tuaj. Llamba(t) e përdorur në këtë pajisje nuk mund të përdoret për ndriçimin e shtëpisë. Qëllimi i përdorimit të kësaj llambe është të ndihmojë përdoruesin të vendosë ushqime në frigorifer / ngrirës në mënyrë të sigurt dhe me lehtësi.

## **7.3 Sinjalizimi për hapjen e derës**

Sistemi i sinjalizimit për hapjen e derës në frigoriferin tuaj mund të ndryshojë në varësi të modelit.

### **Versioni 1;**

Nëse dera e produktit qëndron e hapur për një kohë të caktuar (nga 60 sek deri në 120 sek), do të dëgjohej një sinjal paralajmërues zanor; në varësi të modelit të produktit, mund të shfaqet po ashtu një sinjal paralajmërues vizual (dritë e papritur). Nëse e mbyllni derën e pajisjes ose shtypni një buton në ekranin e pajisjes (një nga këto), tingulli paralajmërues do të ndalojë.

### **Versioni 2;**

Nëse dera e pajisjes qëndron e hapur për një periudhë të caktuar (nga 60 sek deri në 120 sek), do të dëgjoni sinjalizimin për



hapjen e derës. Sinjalizimi për hapjen e derës bie gradualisht. Në fillim, fillon të dëgjohet një paralajmërim zanor. Pas 4 minutash, nëse dera nuk është mbyllur akoma, do të aktivizohet një paralajmërim vizual (dritë e papritur). Sinjalizimi për hapjen e derës do të vonohet për një

periudhë të caktuar (nga 60 sek deri në 120 sek) kur të shtypet një buton i çfarëdoshëm në ekranin e produktit. Më pas procesi do të fillojë përsëri. Kur dera e pajisjes të mbyllet, sinjalizimi për hapjen e derës do të anulohet.

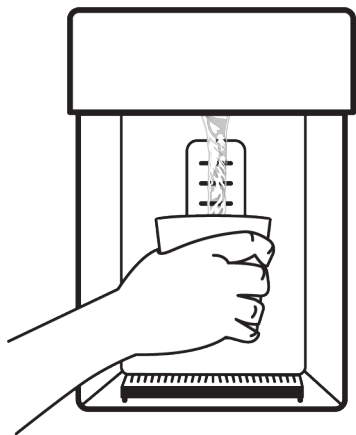
SQ

## 8 Karakteristikat e produktit

### 8.1 Zona e ruajtjes së akullit

#### Marrja e akullit/ujit

Zgjidhni opsionin përkatës duke përdorur ekranin për të marrë ujë (👉) / kuba akulli (👉) / akull të shtypur (👉). Shtyni përpara aktivizuesin në shpërndarësin e ujit për të marrë ujë/akull. Kur kaloni mes opsioneve për kuba akulli (👉) / akull të shtypur (👉), në herët e para mund të dalë akulli i mbetur nga zgjedhja e mëparshme.



- Për të marrë akull nga shpërndarësi i akullit/ujit për herë të parë, duhet të prisni përafërsisht 12 orë. Në rast se nuk ka akull të mjaftueshëm në kontejnerin e akullit, nuk mund të merrni akull nga shpërndarësi.
- Mos i konsumoni kubat e akullit (3-4 litra) pas përdorimit për herë të parë.
- Nëse ka ndërprerje energjie ose mosfunksionim të përkohshëm gjatë përdorimit të produktit, akulli mund të shkrijë pak dhe të ngrijë përsëri. Në këtë rast, copat e akullit mund të ngjiten me

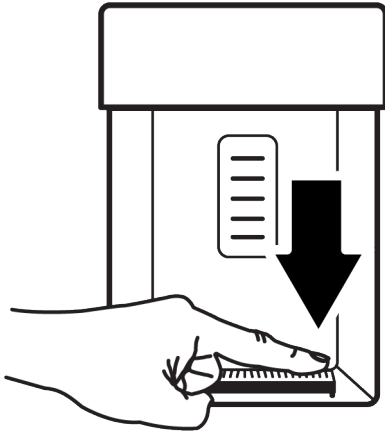
njëra-tjetrën. Në rast se vazhdon ndërprerja e energjisë elektrike ose mosfunksionimi i pajisjes, akulli mund të shkrijë dhe të shkaktojë rrjedhje uji. Kur ka një problem të tillë, pastrojeni kontejnerin e akullit duke e derdhur akullin e mbetur në kontejnerin e akullit.

- Sistemi i ujit të produktit duhet të lidhet vetëm me linjën e ujit të ftohtë. Nuk duhet të lidhet me linjën e ujit të nxehtë.
- Gjatë përdorimit të produktit për herë të parë nuk duhet të merret ujë. Kjo është për shkak se ka ajër në sistem. Duhet të nxirri ajrin në sistem. Për këtë qëllim, shtyni aktivizuesin e shpërndarësit për 1-2 minuta derisa të dalë ujë nga shpërndarësi i ujit. Në fillim, rrjedha e ujit mund të jetë e çrregullt. Rrjedha e ujit do të kthehet në normale pasi të dalë ajri nga sistemi.
- Kur filtri përdoret për herë të parë, mund të dalë pak ujë i turbullt. 10 gotat e para të ujit nuk duhen konsumuar.
- Kur produkti përgatitet për herë të parë, duhet të kalojnë rreth 12 orë që uji të ftohet.
- Sistemi i ujit të produktit është projektuar në atë mënyrë që mund të funksionojë vetëm me ujë të pastër. Mos përdorni asnjë pije tjetër përveç ujit.
- Nëse nuk do ta përdorni produktin për një kohë të gjatë për arsye të pushimeve etj., ju rekomandojmë ta anuloni lidhjen e ujit. Kur shpërndarësi i ujit nuk përdoret për një kohë të gjatë, 1-2 gotat e para të ujit mund të dalin ta ngrohta.

#### Tabakaja e derdhjes

Uji që pikon nga shpërndarësi i ujit grumbullohet në tabakanë e derdhjes, nuk ka një dalje uji. Mund ta hiqni tabakanë e

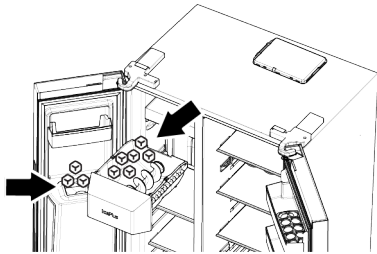
derdhjes duke e tërhequr drejt vetes ose duke shtypur buzën e saj. Në këtë mënyrë mund ta pastroni ujin nga tabakaja e derdhjes.



### Aparati i akullit

Aparati i akullit është në pjesën e sipërme të trupit të ngrirësit.

Duke kapur dorezën nën pjesën e përparme, tërhiqeni koshin e ruajtjes së akullit drejt vetes për ta hequr.



### Për të hequr koshin e ruajtjes së akullit

Kapni dorezën në fund të koshit dhe tërhiqeni drejt vetes.

### Për të riinstaluar koshin e ruajtjes së akullit

Vendoseni koshin në fole dhe shtyjeni prapa duke e mbajtur paralelisht me tokën. Sigurohuni që të mos lihet asnjë hapësirë midis koshit dhe ndarjes së prodhuesit të akullit.

### Në rast se nuk mund t'i merrni të gjithë kubat e prodhuar të akullit

Kubat e akullit që mbeten në koshin e magazinimit për një kohë të gjatë mund të ngjiten së bashku dhe të formojnë blloqe të mëdha akulli. Në këtë rast, hiqni koshin e ruajtjes së akullit siç përshkruhet në manual, ndani kubat e akullit, hiqni ato që nuk mund të ndahen nga koshi dhe vendosini kubat e mbetur përsëri në kosh. Nëse problemi vazhdon, kontrolloni kanalën e akullit dhe pastrojeni nëse është i bllokuar.

### Kur përdorni aparatën e akullit për herë të parë ose pas një periudhe të gjatë

Kubat e akullit mund të bëhen më të vogla për shkak të ajrit të mbetur në sistemin e ujit. Ajri do të shkarkohet automatikisht pasi të përdoret për ca kohë.

- Mos i përdorni kubat e akullit të prodhuar në ditën e parë në mënyrë që të mund të freskoni të gjithë ujin e mbetur në sistem.
- Mos e futni dorën ose ndonjë objekt tjetër në kanalën e akullit dhe tehet e shtypjes së akullit gjatë kohës që frigoriferi është në punë.
- Mos lejoni fëmijët të varen në aparatën e akullit, koshin e ruajtjes së akullit ose shpërndarësin e ujit/akullit.
- Kapeni fort koshin e akullit me të dyja duart në mënyrë që të mos bjerë.
- Kur mbyllni shpejt derën e pajisjes suaj, uji në prodhuesin e akullit mund të derdhet në koshin e ruajtjes së akullit.
- Mos e çmontoni koshin e ruajtjes së akullit nëse nuk është e nevojshme.
- Në rast bllokimi (nga pajisja nuk bie akull) kur merrni akull të shtypur, provoni të merrni kuba akulli.
- Pastaj mund të riprovoni të merrni akull të shtypur.
- Kur merrni akull të shtypur, pajisja mund të prodhojë në fillim kuba akulli. Është e mundur që pajisja të prodhojë kuba akulli kur merrni akull të shtypur.
- Dera e ngrirësit të aparatit të akullit mund të mbulohet nga një shtresë e hollë akulli dhe një shtresë mbulese.
- Kjo është normale dhe ju rekomandojmë ta pastroni menjëherë.

- Pas ca kohësh, uji mund të mbushë rretjen që është në fund të shpërndarësit të ujit.
- Ju rekomandojmë që të hiqni rregullisht ujin në rretje.
- Është normale të dëgjoni tinguj kur kubat e akullit bien nga koshi i depozitimit të akullit. Kjo nuk do të thotë se ka mosfunksionim.
- Mekanizmi i tehut të koshit të akullit është i mprehtë dhe mund të dëmtojë dorën tuaj.
- Nëse kubat e akullit nuk lëshohen nga shpërndarësi i akullit, kjo do të thotë se kubat e akullit mund të jenë ngjitur. Duhet të pastroni koshin për të vazhduar marrjen e kubave të akullit.
- Kur shtypet aktivizuesi për të marrë akull (treguesi etj.), lloji i akullit nuk mund të ndryshohet. Duhet të lëshoni aktivizuesin (treguesi etj.), të ndryshoni llojin e akullit dhe të merrni përsëri akull. Për këtë qëllim, mund të merrni përsëri akull pasi të ndryshoni llojin e akullit në tregues.

## 8.2 Mbjajtësja e vezëve

Mund ta vendosni mbajtësen e vezëve në derë ose në raftin e trupit që dëshironi. Nëse mbajtësja e vezëve do të vendoset në raftin e trupit, ju rekomandojmë të zgjidhni raftet më të ulëta dhe më të ftohta.

- Asnjëherë mos e vendosni mbajtësrn e vezëve në ndarjen e ngirësit.

## 8.3 Koshi i perimeve

Koshi i perimeve i frigoriferit është projektuar për t'i mbajtur perimet të freskëta, duke ruajtur lagështinë e tyre. Për këtë qëllim, qarkullimi i përgjithshëm i ajrit të ftohtë është më i lartë në koshin e perimeve. Mbajini frutat dhe perimet në këtë ndarje. Mbajini të ndara perimet jeshile dhe frutat për të zgjatur jetëgjatësinë e tyre.

## 8.4 Zona e ruajtjes së ftohtë për produktet e bulmetit

### Rafti i ruajtjes së ftohtë

Rafti i ruajtjes së ftohtë mund të arrijë temperatura më të ulëta në ndarjen më të ftohtë. Përdorni këtë raft për produkte delikate (sallam, suxhukë etj.) dhe produkte bulmeti që kërkojnë kushte më të ftohta për ruajtjen, ose për mishin, mishin e pulës ose peshkun që do të konsumohet shpejt. Nuk është e përshtatshme të ruani fruta dhe perime në këtë sirtar.

## 8.5 Koshi i perimeve me kontroll të lagështisë

Me veçorinë e koshit të perimeve me kontroll të lagështisë, lagështia e perimeve dhe frutave mbahet nën kontroll dhe ushqimet mbahen të freskëta për një periudhë më të gjatë kohore.

Ne ju rekomandojmë që t'i vendosni perimet me gjethe, si marule, spinaq dhe perime të ngjashme që janë të ndjeshme ndaj humbjes së lagështirës në koshin e perimeve, jo drejt mbi rrënjët e tyre, por sa më horizontalisht të jetë e mundur.

Kur vendosni perimet, vendosni perimet e forta dhe të rënda në fund dhe perimet e buta dhe të lehta sipër, duke pasur parasysh peshat specifike të perimeve.

Kurrë mos i lini perimet në qese plastike brenda koshit të perimeve. Nëse i lini në qese plastike, kjo bën që perimet të kalben për një kohë të shkurtër.

Në rastet kur nuk preferoni kontaktin me perimet e tjera, përdorni materiale paketimi, si letër, e cila ka njëfarë niveli depërtueshmërie për sa i përket higjienës. Mos i vendosni frutat që prodhojnë shumë gaz etilen, si dardhat, kajsitë, pjeshkat dhe sidomos mollët, në të njëjtin kosh me perimet dhe frutat e tjera. Gazi i etilenit që del nga këto fruta mund të bëjë që perimet dhe frutat e tjera të piqen më shpejt dhe të kalben në një periudhë më të shkurtër.

## 8.6 Lidhja e ujit

(Kjo veçori është opsionale)



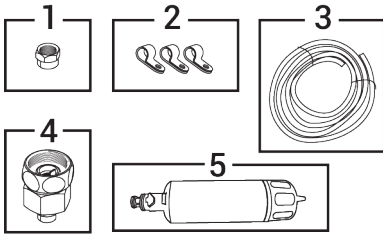
### PARALAJMËRIM

Produkti dhe pompa e ujit, nëse ka, duhet të hiqen nga priza gjatë lidhjes.

Lidhjet e rrjetit, filtrit dhe shishes së produktit tuaj duhet të bëhen nga një qendër shërbimi e autorizuar.

Në varësi të modelit, ju mund ta lidhni produktin tuaj me një shishe ose direkt me rrjetin e ujit. Për të bërë këtë lidhje, fillimisht duhet të lidhni zorrën e ujit me produktin.

Në varësi të modelit të produktit tuaj, kontrolloni nëse pjesët e mëposhtme janë të përfshira me produktin:

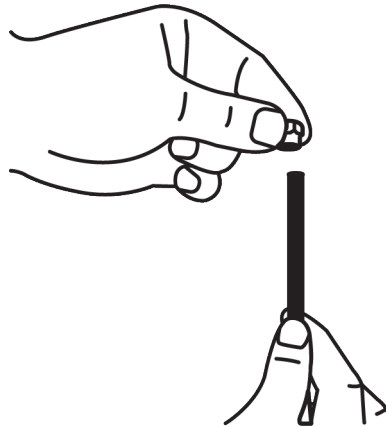
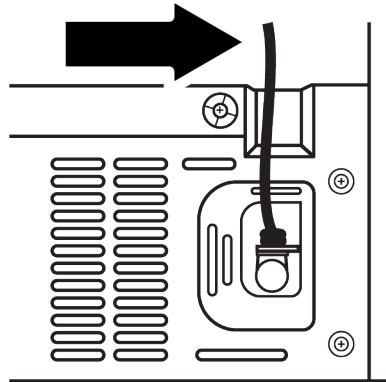


1. Bashkuesi (1 copë): Përdoret për të lidhur tubin e ujit me pjesën e pasme të produktit.
2. Fasheta e tubit (3 copë): Përdoren për të fiksuar tubin e ujit në mur.
3. Tubi i ujit (1 copë, 5 metra, diametri 1/4 inç): Përdoret për lidhjet e ujit.
4. Përshtatësi i rubinetit (1 copë): Përdoret për lidhjen e linjës së ujit të ftohtë me filtër poroz.
5. Filtri i ujit (1 copë \*opsional): Përdoret për të lidhur ujin e rrjetit kryesor me produktin. Nëse ka një lidhje me shishe; nuk ka nevojë të përdorni një filtër uji.

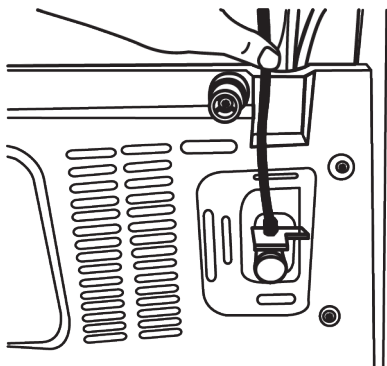
### Lidhja e tubit të ujit me produktin

Ndiqni udhëzimet e mëposhtme për të lidhur tubin e ujit me produktin.

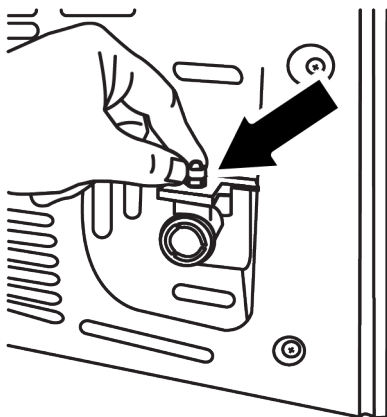
1. Hiqeni elementin fiksues nga përshtatësi i skajit të tubit të bashkangjitur në pjesën e pasme të produktit dhe filetojeni elementin fiksues në tubin e ujit.



2. Lidhni tubin e ujit me përshtatësin e skajit të zorrës duke e shtypur fort poshtë.



3. Sigurojeni bashkuesin në përshtatësin e skajit të zorrës duke e shtrënguar me dorë. Mund ta shtrëngoni bashkuesin me një çelës për tuba ose një palë pinca.



### Lidhja me rrjetin e ujit

(Kjo veçori është opsionale)

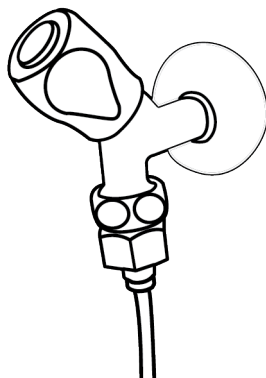
Nëse do ta përdorni produktin duke e lidhur me linjën e ujit të ftohtë, duhet të instaloni një element fiksues standard valvulash 1/2" në rrjetin e ujit të ftohtë në shtëpinë tuaj.

Nëse ky element fiksues nuk është i disponueshëm dhe nuk jeni të sigurt, konsultohuni me një hidraulik të kualifikuar.

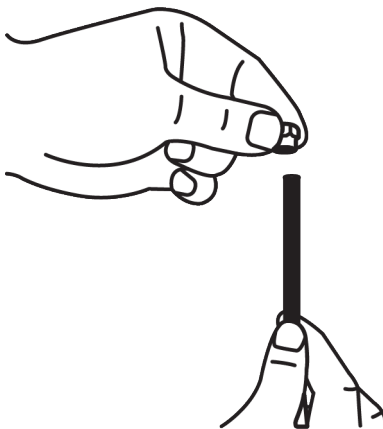
1. Shkëputni bashkuesin nga përshtatësi i rubinetit.



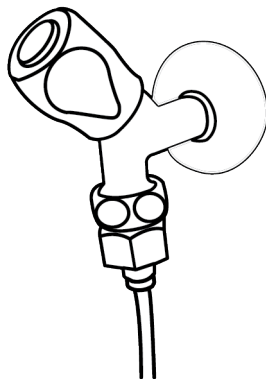
2. Lidhni përshtatësin e rubinetit me valvulën e rrjetit kryesor.



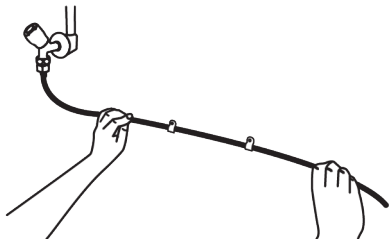
3. Filetojeni bashkuesin te tubi i ujit.



4. Filetojeni bashkuesin në përshtatësin e rubinetit dhe shtrëngojeni me dorë/veçla.



5. Siguroni tubin e ujit në vende të përshtatshme me kapëset e ofruara për të parandaluar dëmtimet, rrëshqitjet ose zhvendosjet aksidentale.



### PARALAJMËRIM

Pasi ta hapni rubinetin, sigurohuni që të mos ketë rrjedhje uji në asnjë skaj të tubit të ujit. Në rast rrjedhjeje, mbylleni menjëherë valvulën dhe shtrëngoni të gjitha lidhjet me një çelës tubash ose një palë pinca.

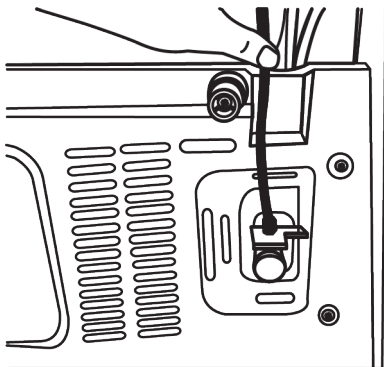
### Për produktet që do të përdoren me shishe;

(Kjo veçori është opsionale)

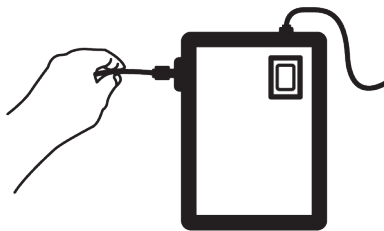
Për të lidhur ujin e shishes me produktin, kërkohet pompa e ujit e rekomanduar nga servisi i autorizuar.

Për të lidhur ujin e shishes me produktin, kërkohet pompa e ujit e rekomanduar nga servisi i autorizuar.

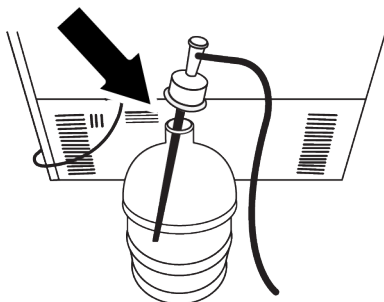
1. Pas lidhjes së një skaji të tubit të ujit të përfshirë nga pompa te produkti, ndiqni udhëzimet më poshtë.



2. Kryeni lidhjen duke shtypur skajin tjetër të tubit të ujit në hyrjen e tubit të ujit të pompës.



3. Siguroni tubin e pompës duke e vendosur në shishe.



4. Pasi të keni përfunduar lidhjen, vendoseni pompën në prizë dhe ndizni pompën.



Pas ndezjes së pompës, prisni 2-3 minuta që ajo të arrijë efikasitetin e dëshiruar.



Referojuni manualit të udhëzimeve të pompës kur kryeni lidhjen e ujit.



Nëse do të përdoret një shishe, nuk ka nevojë të përdorni një filtër uji.

### Filtri i ujit

(Kjo veçori është opsionale)

Në varësi të modelit, produkti juaj mund të ketë një filtër të jashtëm ose të brendshëm. Për të instaluar filtrin e ujit, ndiqni udhëzimet më poshtë.

### Montimi i filtrit të jashtëm në mur

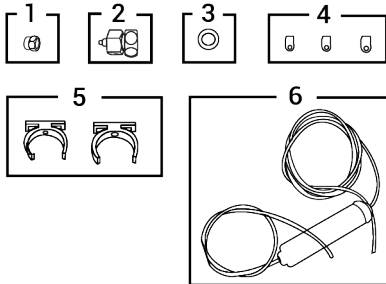
(Kjo veçori është opsionale)



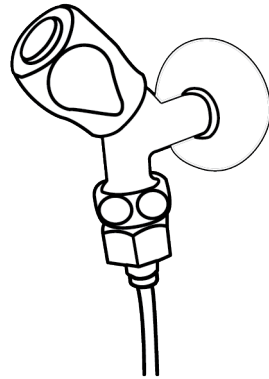
## PARALAJMËRIM

Mos e instaloni filtrin te produkti.

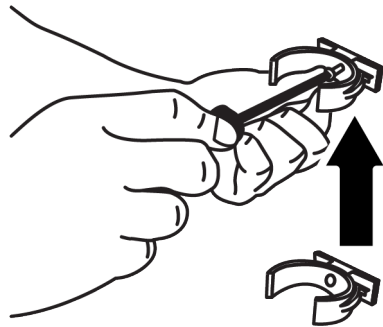
Në varësi të modelit të produktit tuaj, kontrolloni nëse pjesët e mëposhtme janë të përfshira me produktin:



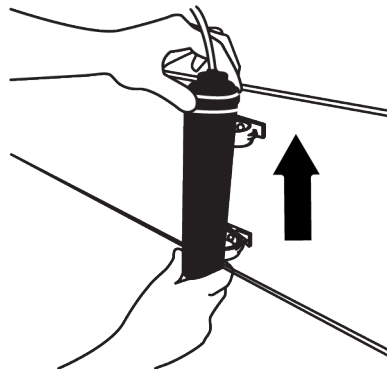
1. Bashkuesi (1 copë): Përdoret për të lidhur tubin e ujit me pjesën e pasme të produktit.
2. Përshtatësi i rubinetit (1 copë): Përdoret për lidhjen e linjës së ujit të ftohtë.
3. Filtri poroz (1 copë)
4. Fasheta e tubit (3 copë): Përdoren për të fiksuar tubin e ujit në mur.
5. Aparati i lidhjes së filtrit (2 copë): Përdoret për montimin e filtrit në mur.
6. Filtri i ujit (1 copë): Përdoret për të lidhur ujin e rrjetit kryesor me produktin. Nëse ka një lidhje me shishe; nuk ka nevojë të përdorni një filtër uji.
7. Lidhni përshtatësin e rubinetit me valvulën e rrjetit kryesor.
8. Përcaktoni vendin ku do të fiksohet filtri i jashtëm. Montoni aparatën e lidhjes së filtrit (5) në mur.
9. Lidhni filtrin vertikalisht me kllapën e filtrit siç tregohet në etiketë. ( 6 ).

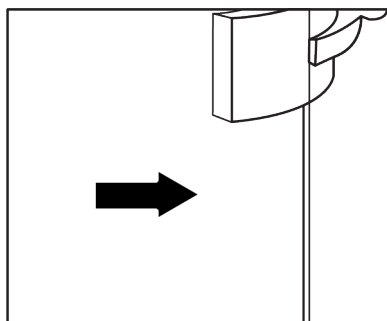


10. Lidhni tubin e ujit që del nga pjesa e sipërme e filtrit me përshtatësin e lidhjes së ujit të produktit.

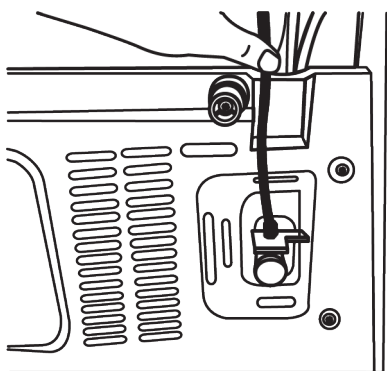


11. Pas përfundimit të lidhjes, imazhi duhet të jetë siç tregohet më poshtë.

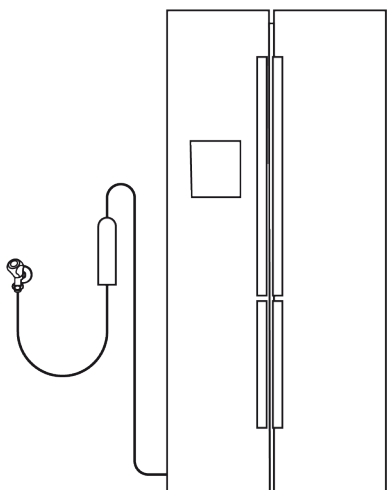




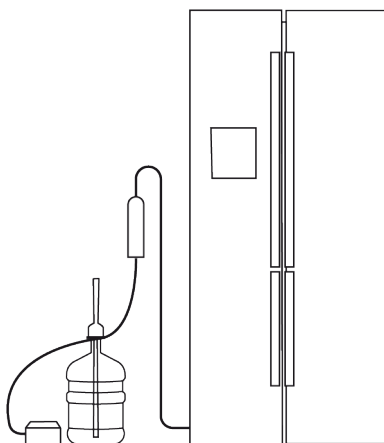
Meqenëse filtri i brendshëm që vjen në produkt nuk është i instaluar, procedurat e nevojshme për përgatitjen e tij janë si më poshtë:



Linja e ujit

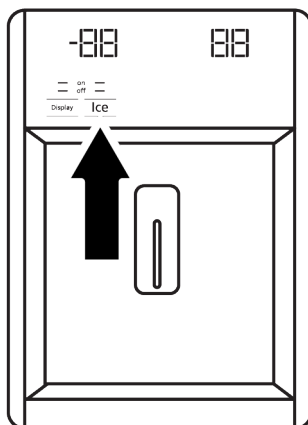


Linja e shishes:



**i** Mos i përdorni 10 gotat e para të ujit pas lidhjes së filtrit.

1. Për instalimin e filtrit, **treguesi "Ice Off"** duhet të jetë aktiv. Kalimi ndërmjet treguesve AKTIV dhe JOAKTIV në ekran bëhet duke shtypur butonin "**Ice**".

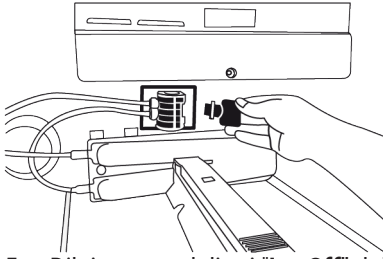


2. Hiqni ndarjen e koshit të perimeve për të arritur te filtri i ujit.
3. Hiqni kapakun e kalimit të filtrit të ujit duke e tërhequr drejt vetes.

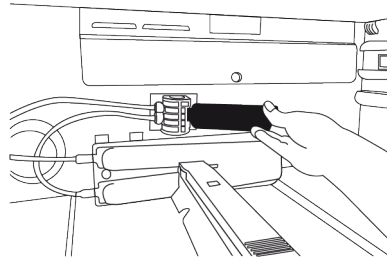
**i** Është normale që pas heqjes së kapakut të bien disa pika uji.



4. Futni kapakun e filtrit të ujit në mekanizëm dhe shtyjeni përpara për ta kapur në vendin përkatës.



5. Dilni nga modaliteti "Ice Off" duke shtypur përsëri butonin "Ice" në ekran.



SQ



Filtri i ujit heq disa grimca të huaja nga uji. Ai nuk e pastron ujin nga mikroorganizmat.

## 9 Mirëmbajtja dhe pastrimi

Në fillim lexoni "Udhëzimet për sigurinë"! Përpara se të pastroni produktin, hiqeni nga prizat ose çaktivizoni siguresën me të cilën është lidhur.

Mos vendosni duart, këmbët ose objekte metalike nën frigoriferit ose midis frigoriferit dhe dyshemesë për çdo arsye. Mund të ndodhin bllokime ose cepat e mprehtë mund të shkaktojnë lëndime personale.

- Mos përdorni mjete të mprehta ose gërryese për pastrimin e produktit. Mos përdorni materiale si p.sh. substanca pastrimi shtëpiake, sapunë, detergjentë, gaz, benzinë, alkool, dyllë etj.
- Pluhuri duhet të hiqet nga skara e ventilimit në anën e pasme të produktit të paktën një herë në vit (pa hapur kapakun). Pastroni produktin me një leckë të thatë.

### Për produktet me shpërndarës uji/krijues akulli

- Nëse uji në depozitë ka qëndruar për 2 – 3 javë, ai duhet të ndërrohet.
- Depozita e ujit dhe pjesët e shpërndarësit të ujit nuk duhen larë në lavastovilje.

- Tretni një lugë çaji me sodë në gjysmë litri ujë. Lagni një leckë me ujin dhe shtrydhjeni. Fshijeni pajisjen me këtë leckë dhe thajeni plotësisht.
- Tregoni kujdes që të mos bjerë ujë te kapaku i llambës, xhami i dritës LED, vrimat e ajrimit ose dhe pjesët e tjera elektrike. Rrezik për goditje elektrike dhe qark të shkurtër!
- Mos hapni seksione me energji elektrike aktive (kapaku i panelit të kontrollit, kapaku i pasmë i kompresorit nëse ka, etj.) pa praninë e një personi të autorizuar dhe mos kryeni asnjë pastrim, mirëmbajtje ose riparim në to. Nëse produkti juaj nuk ka kapak në pjesën e kompresorit, mos e prekni këtë me duar ose me ndonjë objekt tjetër. Rrezik për goditje elektrike dhe lëndime!
- Pastrojini derën me një leckë të njomë. Hiqni raftet e derës dhe të trupit, si dhe të gjithë përmbajtjen brenda frigoriferit. Hiqni raftet e derës duke i ngritur lart. Pastrojini dhe thajini raftet, më pas vendosini përsëri në vend duke i rrëshqitur nga sipër.

- Mos përdorni ujë me klor ose produkte pastrimi në sipërfaqen e jashtme dhe në pjesët e kromuara të produktit. Klorigo do të shkaktojë ndryshk në sipërfaqet metalike.
- Mos vendosni duart, këmbët ose objekte metalike nën frigorifer. Mund të ndodhin bllokime ose cepat e mprehtë mund të shkaktojnë lëndime personale.
- Mos përdorni mjete të mprehta dhe gërryese, sapun, materiale pastrimi shtëpiake, detergjentë, gaz, benzinë, vernik dhe substanca të ngjashme, me qëllim që të parandaloni deformimin dhe heqjen e printimeve në pjesën plastike. Përdorni ujë të vakët dhe një leckë të butë për pastrimin dhe më pas thajeni.

### **Në produktet pa veçori No-Frost;**

- Në murin e pasmë të dhomës së ngrirës mund të shfaqen pika uji dhe akulli deri në trashësinë e një gisht. Mos pastroni dhe mos përdorni kurrë vajra ose materiale të ngjashme.
- Përdorni një leckë pak të lagur mikrofibër për të pastruar sipërfaqen e jashtme të produktit. Sfungjerët dhe materiale të tjera pastrimi mund të shkaktojnë gërvishtje.
- Për të pastruar të gjitha pjesët e çmontueshme gjatë pastrimit të sipërfaqes së brendshme të produktit, lajini këto pjesë me një solucion të butë, të përbërë nga sapun, ujë dhe sodë. Shpëlajini dhe thajini plotësisht. Shmangni kontaktin e ujit me pjesët e ndriçimit dhe me panelin e kontrollit.
- Tregoni kujdes të mos lagni kapakun e llambës dhe pjesët e tjera elektrike.
- Pastrojini derën me një leckë të njomë. Hiqni të gjitha ushqimet për të hequr raftet e derës dhe raftet e brendshme. Hiqni raftet e derës duke i ngritur lart. Pastrojini dhe thajini raftet, më pas vendosini përsëri në vend duke i rrëshqitur nga sipër.

- Mos përdorni ujë me klor ose produkte pastrimi në sipërfaqen e jashtme dhe në pjesët e kromuara të produktit. Klorigo do të shkaktojë ndryshk në sipërfaqet metalike.
- Mos përdorni mjete të mprehta dhe gërryese, sapun, materiale pastrimi shtëpiake, detergjentë, gaz, benzinë, vernik dhe substanca të ngjashme, me qëllim që të parandaloni deformimin dhe heqjen e printimeve në pjesën plastike. Përdorni ujë të vakët dhe një leckë të butë për pastrimin dhe më pas thajeni.
- Në produktet që nuk kanë veçorinë Pa brymë, në faqen e pasme të ndarjes së ftohësit mund të formohen pikla uji ose akull me një trashësi deri në një gisht. Mos pastroni dhe mos përdorni kurrë vajra ose materiale të ngjashme.
- Përdorni vetëm një leckë pak të lagur mikrofibër për të pastruar sipërfaqen e jashtme të produktit. Sfungjerët dhe materiale të tjera pastrimi mund të shkaktojnë gërvishtje.
- Për të pastruar të gjitha pjesët e çmontueshme gjatë pastrimit të sipërfaqes së brendshme të produktit, lajini këto pjesë me një solucion të butë, të përbërë nga sapun, ujë dhe sodë. Shpëlajini dhe thajini plotësisht. Shmangni kontaktin e ujit me pjesët e ndriçimit dhe me panelin e kontrollit.
- Mos përdorni uthull, alkool për fërkim ose agjentë të tjerë pastrimi me bazë alkooli në sipërfaqen e brendshme.

### **Sipërfaqet e jashtme inox**

Përdorni një agjent pastrues jogërryese për inoksin dhe aplikojeni me një leckë të butë pa push. Për ta lustruar, fshijeni butësisht sipërfaqen me një leckë mikrofibër të lagur me ujë dhe përdorni leckë të thatë kamoshi. Ndiqni gjithmonë venat e inoksit.

### **Parandalimi i aromave**

Produkti është i prodhuar pa materiale me erëra të këqija. Sidoqoftë, mbajtja e ushqimeve në mënyrë të papërshtatshme

dhe pastrimi i papërshtatshëm i sipërfaqeve të brendshme mund të shkaktojnë erëra të këqija.

- Për të shmangur këtë, pastrojeni pjesën e brendshme me ujë me sodë çdo 15 ditë.
- Mbani ushqimet në mbajtëse të mbyllura, pasi mikroorganizmat që dalin nga ushqimet e mbajtura në enë të pambyllura do të shkaktojnë erë të keqe.

## 10 Zgjidhja e problemeve

Në fillim lexoni "Udhëzimet për sigurinë"!

Kontrolloni këtë listë përpara se të kontaktoni me shërbimin. Kjo gjë do t'ju kursejë kohë dhe para. Kjo listë përfshin ankesat e shpeshta që nuk kanë të bëjnë me defekte në prodhim ose materiale. Disa veçori të përmendura këtu mund të mos jenë të vlefshme për produktin tuaj.

Nëse problemi vazhdon pas ndjekjes së udhëzimeve në këtë pjesë, kontaktoni me shitësin ose shërbimin e autorizuar. Mos u përpiqni ta riparoni produktin.

### Frigoriferi nuk punon.

- Spina elektrike nuk është futur plotësisht. >>> Shtyjeni që të futet plotësisht në prizë.
- Siguresa e lidhur me prizën që furnizon produktin ose siguresa kryesore është e djegur. >>> Kontrolloni siguresën.

### Kondensimi në murin anësor të ndarjes së ftohësit (ME DISA ZONA, KONTROLLI I FRESKISË dhe ZONA FLEKSIBËL).

- Dera hapet shumë shpesh. >>> Kini kujdes që të mos e hapni derën e produktit shumë shpesh.
- Ambienti është shumë i lagësht. >>> Mos e montoni produktin në mjedise me lagështi.
- Ushqimet që kanë lëngje mbahen në enë të paizoluara. >>> Ruani ushqimet me lëngje në enë të izoluara.
- Dera e produktit është lënë e hapur. >>> Mos e mbani derën e produktit të hapur për periudha të gjata.
- Termostati është vendosur në një temperaturë shumë të ftohtë. >>> Vendosni termostatin në një temperaturë të përshtatshme.

- Mos i mbani ushqimet e skaduara ose të prishura në frigorifer.

### Mbrojtja e sipërfaqeve plastike

Vaji i derdhur në sipërfaqet plastike mund të dëmtojë sipërfaqen dhe duhet të pastrohet menjëherë me ujë të ngrohtë.

SQ

### Kompresori nuk punon.

- Në rast të ndërprerjes së papritur të rrymës ose heqjes së spinës dhe futjes së saj përsëri, presioni i gazit në sistemin e ftohjes së produktit nuk është i balancuar, gjë që aktivizon mbrojtjen termike të kompresorit. Produkti do të rindizet pas rreth 6 minutash. Nëse produkti nuk rindizet pas kësaj periudhe, kontaktoni me shërbimin.
- Shkrija është aktive. >>> Kjo është normale për një produkt me shkrije plotësisht automatike. Shkrija kryhet në mënyrë periodike.
- Produkti nuk është futur në prizë. >>> Sigurohuni që kordoni elektrik të jetë i lidhur.
- Cilësimi i temperaturës është i gabuar. >>> Zgjidhni cilësimin e duhur të temperaturës.
- Energjia është ndërprerë. >>> Produkti do të vazhdojë të funksionojë normalisht pasi të rikthehet energjia elektrike.

### Zhurra e funksionimit të frigoriferit po rritet gjatë përdorimit.

- Performanca e funksionimit të produktit mund të ndryshojë në varësi të ndryshimeve të temperaturës së ambientit. Kjo është normale dhe nuk është një defekt.

### Frigoriferi punon shumë shpesh ose për shumë kohë.

- Produkti i ri mund të jetë më i madh se ai i mëparshmi. Produktet më të mëdha do të punojnë për periudha më të gjata.

- Temperatura e dhomës mund të jetë e lartë. >>> Produkti do të funksionojë normalisht për periudha të gjata në një temperaturë më të lartë të dhomës.
- Produkti mund të jetë vënë së fundi në prizë ose një ushqim i ri është vendosur brenda në të. >>> Produktit do t'i duhet më shumë kohë për të arritur temperaturën e caktuar kur është futur së fundi në prizë ose kur vendoset brenda një artikulli të ri ushqimor. Kjo është normale.
- Sasi të mëdha ushqimi të nxehtë mund të jenë vendosur së fundi në produkt. >>> Mos vendosni ushqime të nxehta në produkt.
- Dyert janë hapur shpesh ose janë mbajtur të hapura për periudha të gjata. >>> Ajri i ngrohtë që lëviz brenda do të bëjë që produkti të punojë për një kohë më të gjatë. Mos i hapni dyert shumë shpesh.
- Dera e ngrirësit ose e ftohësit mund të jetë e hapur. >>> Kontrolloni që dyert të jenë plotësisht të mbyllura.
- Produkti mund të vendoset në një temperaturë shumë të ulët. >>> Vendoseni temperaturën në një nivel më të lartë dhe prisni që produkti të arrijë temperaturën e rregulluar.
- Larësja e derës së ftohësit ose ngrirësit mund të jetë e ndotur, e konsumuar, e thyer ose nuk është vendosur siç duhet. >>> Pastroni ose zëvendësoni gominën. Larësja e dëmtuar/shqyer e derës do të bëjë që produkti të funksionojë për periudha më të gjata për të ruajtur temperaturën aktuale.

**Temperatura e ngrirësit është shumë e ulët, por temperatura e ftohësit është e përshtatshme.**

- Temperatura e ndarjes së ngrirësit është vendosur në një nivel shumë të ulët. >>> Vendosni temperaturën e ndarjes së ngrirësit në një nivel më të lartë dhe kontrolloni përsëri.

**Temperatura e ftohësit është shumë e ulët, por temperatura e ngrirësit është e përshtatshme.**

- Temperatura e ndarjes së ftohësit është vendosur në një nivel shumë të ulët. >>> Vendosni temperaturën e ndarjes së ftohësit në një nivel më të lartë dhe kontrolloni përsëri.

**Artikujt ushqimorë të mbajtur në sirtarët e ndarjeve të ftohësit janë të ngrira.**

- Temperatura e ndarjes së ftohësit është vendosur në një nivel shumë të ulët. >>> Vendosni temperaturën e ndarjes së ftohësit në një nivel më të lartë dhe kontrolloni përsëri.

**Temperatura në ftohës ose ngrirës është shumë e lartë.**

- Temperatura e ndarjes së ftohësit është vendosur në një nivel shumë të lartë. >>> Cilësimi i temperaturës së ndarjes së ftohësit ndikon në temperaturën në ndarjes së ngrirësit. Prisni derisa temperatura e pjesëve përkatëse të arrijë nivelin e mjaftueshëm duke ndryshuar temperaturën e ndarjeve të ftohësit ose ngrirësit.
  - Dyert janë hapur shpesh ose janë mbajtur të hapura për periudha të gjata. >>> Mos i hapni dyert shumë shpesh.
  - Dera mund të jetë e hapur. >>> Mbyllni plotësisht derën.
  - Produkti mund të jetë vënë së fundi në prizë ose një ushqim i ri është vendosur brenda në të. >>> Kjo është normale. Produktit do t'i duhet më shumë kohë për të arritur temperaturën e caktuar kur është futur së fundi në prizë ose kur vendoset brenda një artikulli të ri ushqimor.
  - Sasi të mëdha ushqimi të nxehtë mund të jenë vendosur së fundi në produkt. >>> Mos vendosni ushqime të nxehta në produkt.
- Dridhje ose zhurmë.**
- Sipërfaqja nuk është e sheshtë ose e qëndrueshme >>> Nëse produkti dridhet kur lëvizet ngadalë, rregulloni

mbështetësen për të ekuilibruar produktin. Gjithashtu sigurohuni që dyshemeja të jetë mjaft e qëndrueshme për të mbajtur produktin.

- Çdo artikull i vendosur brenda në produkt mund të shkaktojë zhurmë. >>> Hiqni çdo artikull të vendosur në produkt.
- Produkti bën zhurmë si rrjedhje lëngjesh, spërkatje etj.
- Parimet e funksionimit të produktit përfshijnë qarkullimin e lëngjeve dhe gazit. >>> Kjo është normale dhe nuk është një defekt.

### **Nga produkti dëgjohet zhurma e erës që fryn.**

- Produkti përdor një ventilator për procesin e ftohjes. Kjo është normale dhe nuk është një defekt.

### **Ka kondensim në muret e brendshme të produktit.**

- Moti i nxehtë ose i lagësht do të rrisë formimin e akullit dhe kondensimin. Kjo është normale dhe nuk është një defekt.
- Dyert janë hapur shpesh ose janë mbajtur të hapura për periudha të gjata. >>> Mos i hapni dyert shumë shpesh; nëse është e hapur, mbylleni derën.
- Dera mund të jetë e hapur. >>> Mbyllni plotësisht derën.

### **Ka kondensim në pjesën e jashtme të produktit ose midis dyerve.**

- Klima e ambientit mund të jetë me lagështi, kjo është shumë normale në klimë me lagështi. >>> Kondensimi do të shpërndahet kur të ulet lagështia.

### **Pjesa e brendshme mban erë të keqe.**

- Produkti nuk pastrohet rregullisht. >>> Pastroni rregullisht pjesën e brendshme duke përdorur një sfungjer, ujë të ngrohtë dhe ujë të gazuar.
- Disa mbajtëse dhe materiale paketimi mund të shkaktojnë erë. >>> Përdorni mbajtëse dhe materiale paketimi pa erë.

- Ushqimet janë vendosur në enë të paizoluara. >>> Mbajini ushqimet në mbajtëse të izoluara. Mikroorganizmat mund të përhapen nga ushqimet e paizoluara dhe të shkaktojnë erëra të këqija.
- Hiqni çdo ushqim të skaduar ose të prishur nga produkti.

### **Dera nuk mbyllet.**

- Paketimet e ushqimeve mund të bllokojnë derën. >>> Zhvendosni çdo artikull që bllokoi dyert.
- Produkti nuk qëndron në pozicionin plotësisht vertikal mbi dysheme. >>> Rregulloni mbështetësen për të balancuar produktin.
- Sipërfaqja nuk është e sheshtë ose e qëndrueshme >>> Sigurohuni që sipërfaqja të jetë e sheshtë dhe mjaft e qëndrueshme për të mbajtur produktin.

### **Ndarësja e perimeve është bllokuar.**

- Artikujt ushqimorë mund të jenë në kontakt me pjesën e sipërme të sirtarit. >>> Riorganizoni artikujt ushqimorë në sirtar.

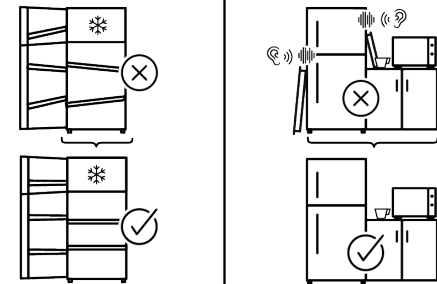
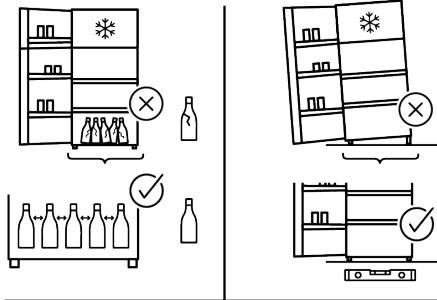
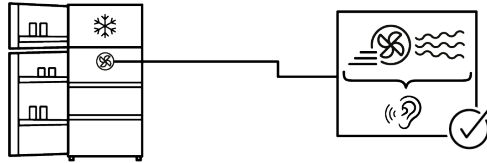
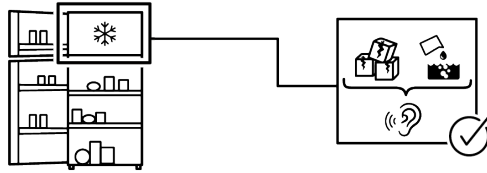
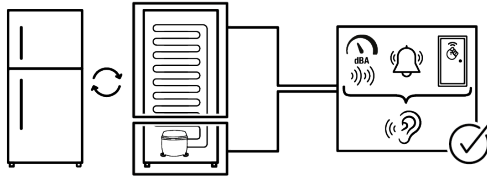
### **Temperatura në sipërfaqen e produktit.**

- Temperatura e lartë mund të vërehet midis dy dyerve, në panelet anësore dhe në zonën e pasme të grilës gjatë përdorimit të produktit tuaj. Kjo është normale dhe nuk kërkon t'i bëhet ndonjë shërbim.

### **Ventilatori vazhdon të funksionojë kur hapet dera.**

- Ventilatori mund të vazhdojë të funksionojë kur dera e ngrirësit është e hapur.

Nëse problemi vazhdon pas ndjekjes së udhëzimeve në këtë pjesë, kontaktoni me shitësin ose shërbimin e autorizuar. Mos u përpiqni ta riparoni produktin. Kjo është normale.



## MOHIMI I PËRGJEGJËSISË

Disa defekte (të thjeshta) mund të menaxhohen në mënyrën e duhur nga përdoruesi fundor pa pasur ndonjë problem sigurie ose përdorim të pasigurt, me kusht që ato të kryhen brenda kufijve dhe në përputhje me udhëzimet e mëposhtme (shikoni seksionin "Riparimi vetë"). Për këtë arsye, përveç rasteve kur autorizohet ndryshe në seksionin "Riparimi vetë" më poshtë, për riparimet duhet t'u drejtoheni riparuesve profesionistë të regjistruar në mënyrë që të shmangen problemet e sigurisë. Një riparues profesionist i regjistruar është një riparues profesionist të cilit i është dhënë akses në udhëzimet dhe listën e pjesëve të këmbimit të këtij produkti nga prodhuesi sipas metodave të përshkruara në aktet legjislative në përputhje me Direktivën 2009/125/EC.

**Megjithatë, vetëm agjenti i shërbimit (d.m.th. riparuesit profesionistë të autorizuar) që mund t'i kontaktoni nëpërmjet numrit të telefonit të dhënë në manualin e përdorimit/kartën e garancisë ose nëpërmjet tregtarit të autorizuar mund të ofrojë shërbim sipas kushteve të garancisë. Prandaj, kini parasysh që riparimet nga riparues profesionistë (të cilët nuk janë të autorizuar nga) Whirlpool do ta bëjnë të pavlefshme garancinë. Riparimi vetë**

Riparimi vetë mund të bëhet nga përdoruesi fundor në lidhje vetëm me pjesët e mëposhtme të këmbimit: dorezat e dyerve, menteshat e dyerve, tava, shporta dhe gominat e dyerve (një listë e përditësuar është gjithashtu e disponueshme në <https://parts-selfservice.europeanappliances.com> që nga data 1 mars 2021).

Për më tepër, për të garantuar sigurinë e produktit dhe për të parandaluar rrezikun e lëndimeve serioze, vetëriparimi i përmendur duhet të bëhet duke ndjekur udhëzimet në manualin e përdorimit për vetëriparim ose që janë të disponueshme në [\[selfservice.europeanappliances.com\]\(https://parts-selfservice.europeanappliances.com\). Për sigurinë tuaj, hiqeni produktin nga priza përpara se të provoni një riparim vetë. Riparimi dhe përpjekjet për riparim nga përdoruesit i pjesëve që nuk përfshihen në një listë të tillë dhe/ose duke mos ndjekur udhëzimet në manualët e përdorimit për riparimin vetë ose të cilat janë të disponueshme në <https://parts-selfservice.europeanappliances.com>, mund të ngrenë çështje sigurie që nuk i atribuohen Whirlpool, dhe do ta bëjnë të pavlefshme garancinë e produktit. Prandaj, rekomandohet shumë që përdoruesit fundorë të shmangin përpjekjet për të kryer riparime jashtë listës së përmendur të pjesëve rezervë, duke kontaktuar në raste të tilla me riparues profesionistë të autorizuar ose riparues profesionistë të regjistruar. Përkundrazi, përpjekje të tilla nga përdoruesit fundorë mund të shkaktojnë probleme sigurie dhe të dëmtojnë produktin dhe më pas të shkaktojnë zjarr, përmbytje, goditje elektrike dhe lëndime të rënda personale. Për shembull, por pa u kufizuar në riparimet e mëposhtme, duhet t'u drejtohen riparuesve profesionistë të autorizuar ose riparuesve profesionistë të regjistruar për këto: kompresori, qarku ftohës, bordi kryesor, bordi i inverterit, paneli i ekranit etj. Prodhuesi/shitësi nuk mund të mbahet përgjegjës në asnjë rast kur përdoruesit përfundimtarë nuk respektojnë sa më sipër. Disponueshmëria e pjesëve të ndërrimit të frigoriferit që keni blerë është për 10 vite. Gjatë kësaj periudhe, pjesët origjinale të ndërrimit do të jenë të disponueshme për funksionimin e frigoriferit në mënyrën e duhur. Kohëzgjatja minimale e garancisë së frigoriferit që keni blerë është 24 muaj. Ky produkt është i pajisur me një burim ndriçimi të klasës së energjisë "G". Burimi i ndriçimit në këtë produkt duhet të zëvendësohet vetëm nga një riparues profesionist.](https://parts-</a></p></div><div data-bbox=)

SQ

Shikoni gjithashtu

2 CLAUSE DE NON-RESPONSABILITÉ  
[} 60]